

Clean Air Optima[®] 2in1: Humidifier & Air Purifier

Model: CA-806 Smart / CA-808 Smart

- (EN) User manual
- (DE) Gebrauchsanweisung
- (NL) Gebruiksaanwijzing
- (FR) Mode d'emploi
- (ES) Manual del usuario
- (IT) Manuale d'uso
- (PL) Instrukcja obsługi
- (CZ) Uživatelská příručka
- (RO) Manual de utilizare
- (LT) Naudotojo vadovas
- (EE) Kasutusjuhend
- (LV) Lietošanas pamācība

Find more languages on:
[www.cleanairoptima.com/
info/manuals](http://www.cleanairoptima.com/info/manuals)



Read these instructions carefully before you start using the Humidifier/ Air Purifier and keep the manual for future reference.

Table of contents	Page
English	3
German	25
Dutch	48
French	70
Spanish	92
Italian	115
Polish	137
Czech	159
Romanian	181
Lithuanian	203
Estonian	225
Latvian	247

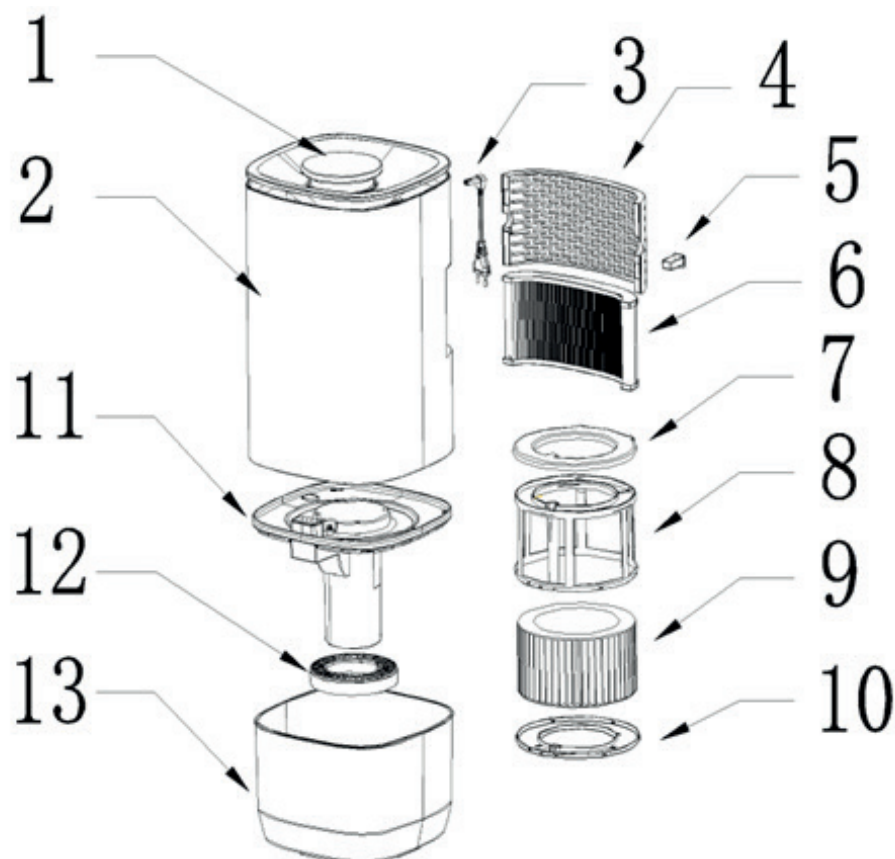
English

Thank you for purchasing the Clean Air Optima[®] Evaporative humidifier and Air purifier CA-806 Smart/ CA-808 Smart.

We wish you many years of healthy indoor air with this efficient and effective product.

These instructions describe the safety precautions to be observed during operation. They are meant to prevent injuries and to avoid damaging the device.

CA-806 Smart/ CA-808 Smart Main unit



Description of the device

The device consists of the following main components:

- | | |
|-----------------------------|---------------------------------|
| 1. Display cover | 8. Water filter bracket |
| 2. Body housing | 9. Water filter |
| 3. Power cord | 10. Water filter bracket bottom |
| 4. Air intake grid | 11. Water pump installation |
| 5. Aroma box | 12. Harsfilter |
| 6. HEPA Filter | 13. Watertank |
| 7. Water filter bracket top | |

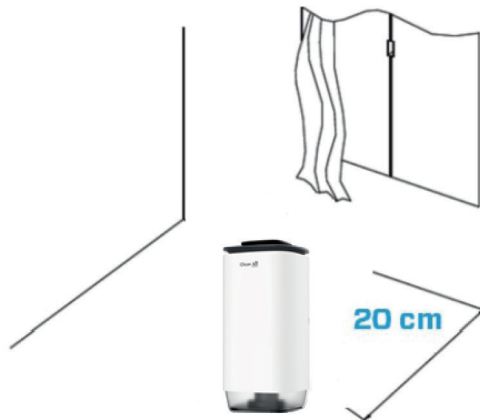
Safety warnings

This device may only be used in accordance with these safety instructions. Take the following steps to minimize the risk of personal injury caused by for example electric shocks or fire.

1. Only for indoor use. Do not use or store outdoors.
2. Use proper voltage: AC 220V - 240V, 50/60Hz
3. The device can be used by children aged from 8 years and above and persons with reduced physical, sensory or mental capabilities or lack of experience and knowledge if they have been given supervision or instructions concerning use of the device in a safe way and understand the hazards involved. Children shall not play with the device. Cleaning- and user maintenance shall NOT be done by children without supervision.
4. You must turn off the device before adding water.
5. Make sure that the device always operates with a filled water tank.
6. Do not leave water in the water tank when the device is not in use.
7. Warning: In the environment where the device is used or stored, microorganisms may exist in the water. If the water is not changed regularly or the tank is not cleaned every 3 days, these microbes can grow in the tank and evaporate into the air, which can cause serious health problems.
8. Change the water every 3 days.
9. It is strictly forbidden to cover the air inlet and outlet with anything when the device is in operation.
10. To safely use the device, put it in a steady, horizontal position. Do not move while using.
11. To prevent interference and damage to other electronic devices, this machine should be placed at least 1 meter away from a computer, television, radio or other electronic equipment.
12. Do not use the device when there is visible damage on the electrical cord or on the device itself. Do not repair the device yourself in case of damage. Never pull the device by its cord. If the power cord is damaged, then it must be replaced by an authorized service person to prevent electric shock or fire.
13. Repairs may only be performed by authorized service personal. Do not try to repair the device yourself to prevent electric shock or fire.
14. Always remove the plug from the socket when the device is not being used or when you clean internal or external parts of it.
15. Remove the water tank before moving the device.
16. Only use power cords provided.
17. Do not use the device in rooms where inflammable liquids or gases are stored, close to heat sources or in particularly humid rooms like the bathroom, shower or swimming pool.
18. To prevent malfunctions, never insert strange objects into the device.
19. Never disassemble or replace the device's inner parts.
20. Do not place the device in direct sunlight, to avoid that the device discolours.
21. Never immerse the unit in water or other liquids.
22. Do not touch the power cord with wet hands.
23. Clean and dry the device before storage (including the removal of all water from the inside of the device). Store the machine in a cool and dry place outside the reach of children.
24. Do not clean the water sink when the water is still hot.
25. Use, maintain and clean the device as described in this manual.

Installation

Make sure that the distance from the device is 20 cm away from walls and furniture, see the illustration below.



Remove the protective film from the display.



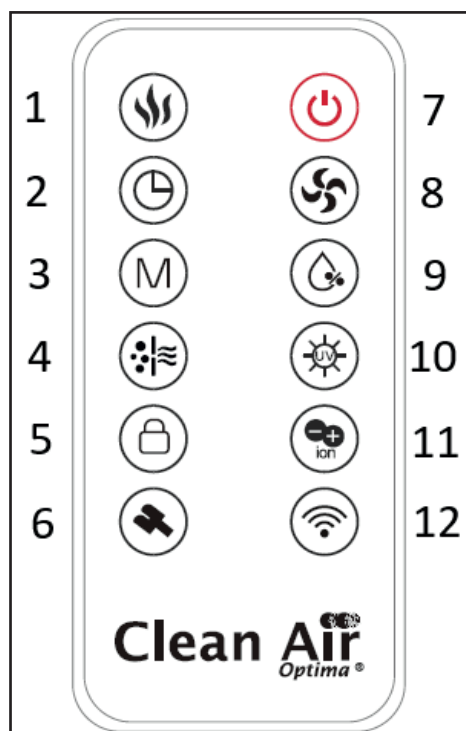
Remove the sealing from the filters first.



Remote control

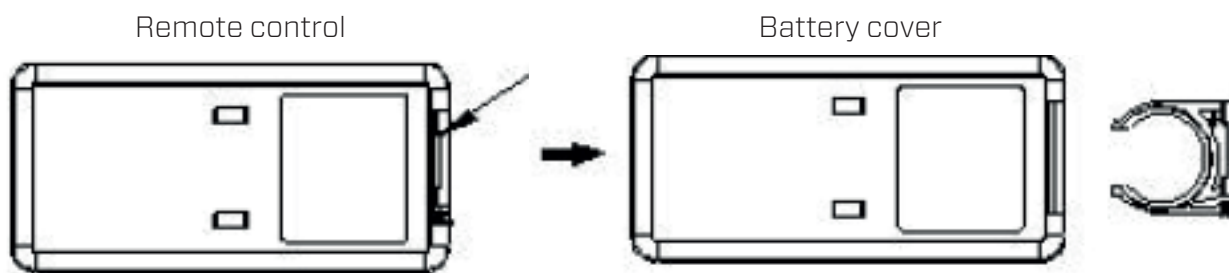
The buttons on your remote control:

1. Heating/ Cleaning Mode
2. Timer
3. Mode
4. Air Purification
5. Child lock
6. Cleaning Mode
7. ON / OFF
8. Mist level
9. Humidity
10. UV
11. Negative Ion
12. WIFI



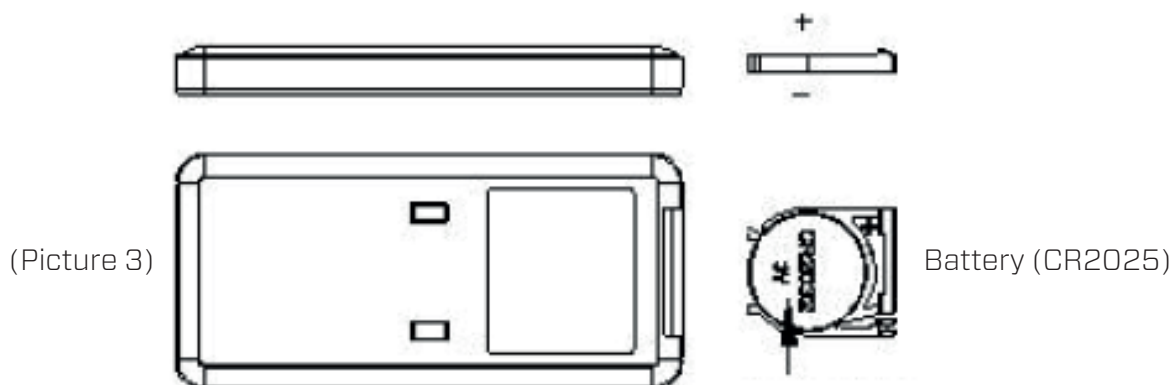
Remote control

1. Open the battery cover at the back side of remote control to place the battery. (see Picture 1).
2. To place the battery: there is a “security tab” at the bottom of the remote control that you first have to slide to the right and then pull out the battery holder. (see Picture 2). Insert the battery with the correct polarity. (see Picture 3).
3. Push the battery cover back into the remote control.



(Picture 1)

(Picture 2)



(Picture 3)

Battery (CR2025)

Operating instructions

Before getting started, remove the Clean Air Optima® CA-806 Smart/ CA-808 Smart from its box and allow it to become accustomed to the room temperature for at least 30 minutes especially if the machine is cold from the outside air. Place the device on a solid, level and front water-insensitive surface, at least 20 cm from the wall.

The CA-806 Smart & CA-808 Smart is designed to operate at temperatures between 5 -40 °C and relative humidity of less than 85%.

To get started, lift the bodyhousing, the bodyhousing is loose on the water tank. Remove the water filter from the water pump housing. Remove the water pump housing from the water tank. Now you can fill the water tank to the max. line on the water tank or you can choose to put less water in the water tank.

Lift the bodyhousing



Water tank lid and filter



Faucet for filling



Then place the water tank under the faucet for filling. Fill the tank with tap water (or other clean water source with water temperature under 40°C), re-insert the lid and filter.

Top filling: The water tank can also be refilled with a watering can. Directly from the top of the humidifier.

Top filling

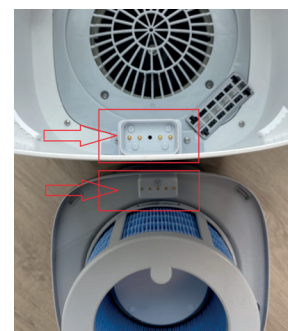
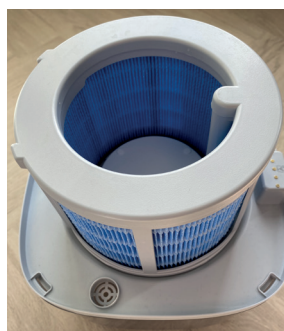


Figure 1.

Figure 2.

Replace the water tank and filters (Figure 1.). Replace the bodyhousing on top of the water tank and slide it over the filter so that the contact points lie against each other (Figure 2.).

Plug the power plug into a suitable power outlet, a signal sounds to indicate that your device is in standby mode. If the humidifier is switched on/off, the value for humidity will now be displayed.





Power Button:

Press the power button in standby mode to activate the humidifier:

- When there is water in the watertank, a “beep” sound is heard and the whole machine enters the working mode: The initial startup state of the machine: the machine works in speed 3, the UV icon lights up, the water pump starts working.
- Press this button in the working state: the machine enters the air-drying state, and enters the standby state after air-drying ;the machine is in working state (except when the child lock function is turned on), press the “on/off” button to enter the air drying program.

The air drying process works as follows:

- The machine works at speed 4, the ‘PTC heating on’ icon lights up , the other icons on the digital screen are turned off; the machine turns off after running the air-drying program for 50 minutes and enters standby mode. (Note: The heating function turns off in advance in the 45th minute of the air-drying program).
- During the air-drying process, press the on/off button, the machine will exit the air-drying mode and enter the standby state .



UV Button/ Negative Ion Button:

The device starts with the UV lamp on. Press the button again to turn it off. To turn the ionizer on, hold the button for 3 seconds. Press it again for 3 seconds to turn the ionizer off.

The UV Sterilization function which kills the bacteria in the mist output airflow, befor the mist enters into the room.

Pressing the **Negative Ion Button** will activate the negative ion generator with a total capacity of > 3.000.000 negative ions / cm³ that are spread through out the entire room and thereby neutralize pollutants and smells. Negative ions attach onto dust particles, microorganisms and other unwanted particles in the air and connect them to each other. This way, the particles become heavier than air and fall onto the ground so that you can no longer breathe them in.

Negative ions are most found in the forest, mountains and by the sea. Negative ions ensures fresh and healthy air.



Humidity Button:

Pressing the **Humidity Button**, you can select the desired humidity level by pressing this button repeatedly until the required humidity level is displayed (from 30% to 80% in increments of 5%). Once you select your desired humidity level, simply stop pressing the button and your humidity level will be set.

After setting, the display will flash once per second and then three times continuously to show the current set value. After flashing, the current humidity is displayed, with a display range of 20-90% relative humidity.

The speed is not affected for the first 2 minutes after the device enters constant humidity mode. After 2 minutes, the fan operates according to the following schedule:

1. When the humidity reaches or exceeds the set humidity, the device stops humidifying and the fan operates at speed 1;

2. When the actual humidity is lower than the set humidity “2%,” the device continues to humidify at speed 2;
3. When the actual humidity is lower than the set humidity “4%”, the device continues to humidify at speed 3;
4. When the actual humidity is lower than the set humidity “6%”, the device continues to humidify at speed 4.

Note: If the speed is changed during constant humidity mode, the device will run at the set speed value for 2 minutes and then repeat the above procedure after 2 minutes.

Press the “Humidity” button , the machine will display the current humidity setting value, and then press the “Humidity” button again to adjust the humidity value accordingly.



Mode Button/ WIFI Button:

When you press the mode button for the first time, the “Auto Mode” icon lights up and then flashes three times before activating automatic mode. Pressing the mode button a second time within three seconds will cause the device to enter health mode. The “Health Mode” icon will then flash three times before activating health mode. And so on.

The rotation order of the mode buttons is as follows: automatic mode -> health mode -> sleep mode -> no settings -> automatic mode.

Automatic mode:

After entering the “Automatic Mode”, the humidity is set to 68% , and the mist volume is forced to humidify for 5 minutes at level 4. After 5 minutes, the mist volume level is adjusted according to the following requirements:

When the humidity value is less than 60% , the mist volume works at 4 levels; when the humidity value is between 60% and 63%, the mist volume works at 3 levels; when the humidity value is between 64% and 68%, the mist volume works at 2 levels; when the humidity value exceeds 68%, it works at 1 level.

Healthy Mode:

Press the mode button a second time. The “Healthy Mode” icon will flash three times per second, then activate Healthy Mode.

After activating Healthy Mode, the “Healthy Mode” icon on the digital pad will light up; the negative ions and UV light will turn on, and the device will operate at level 3.

After activating Healthy Mode, the device automatically detects the optimal humidity level based on the ambient temperature and increases the humidity setting by 5% based on the detected value. For example, if the detected value is 45%, the set humidity will be 50%, and so on.

When the device reaches or exceeds the set humidity, the fan will operate at level 1. When the humidity falls below the set humidity of “2%,” the device will return to level 3.

Sleep Mode:

Press the Mode button a third time. The “Sleep Mode” icon will flash three times per second, and sleep mode will be activated:

1. The functions that were enabled before the device entered sleep mode (including UV, timing, and negative ions) are not affected by sleep mode.
2. After 10 seconds, when the device enters sleep mode, the display turns off (except for the “Sleep Mode” icon) and the device operates at 75% of the speed of mist level 1.

When the device detects that the water tank is empty during sleep mode, the “Water Shortage” icon will remain lit, the buzzer will not sound, and the device will enter standby mode.

Wi-Fi connection:

Press and hold the “Mode/Wi-Fi” button for 3 seconds. The device will enter Wi-Fi pairing status, and the Wi-Fi icon will continue to flash until the device is successfully paired. Press and hold the “Mode/Wi-Fi” button again for 3 seconds. The buzzer will sound once, the device will exit Wi-Fi pairing, and the Wi-Fi icon will turn off.




Heating Button/ Cleaning Mode Button:

Pressing the “Heating” button activates the heating function. Heating ensures that the water filter dries quickly and effectively.

The device operates at setting 4 after the heating function is enabled. You cannot adjust the speed; doing so will deactivate the heating function.

Press the “Heating/Cleaning” button again to deactivate this function.

Press and hold the “Heating/Cleaning” button. The device exits “Heating/Cleaning” mode and enters cleaning mode .



Mist level button:

The device continues to humidify and the humidity cannot be adjusted.

The initial working state of the device is level 3.

The device has 4 levels. Press the button each time to reach a level on the scale.

The mist level sequence is: 3-> 4-> 1-> 2-> 3-> 4-> 1-> 2-> 3...and so on.

The water pump runs continuously for the first 2 minutes.

After 2 minutes, the water pump stops for 3 minutes and then runs for 15 seconds; then stops for 3 minutes and runs again for 15 seconds, and so on.



Air Purification/ child lock Button:

Press the “Air Purification/Child Lock” button to start air purification mode. The water pump will turn off and the device will stop displaying the humidity. The PM2.5 icon will light up to indicate the current air quality. Press again to return to humidification mode.

Press and hold the “Air Purification/ Child Lock” button for 3 seconds; the machine’s child lock on icon will light up. Press and hold the “Air Purification/ Child Lock” button for another 3 seconds; the machine’s child lock off icon will turn off.



Timer Button:

Pressing the **Timer Button** sets the timer. The timer function determines how many hours the humidifier will operate. You can set the timer simply by pressing it once for each hour that you would like to run the device. The timer can be set from 1 hour to 12 hours. As time passes, the time value decreases until it goes to 00:00 and the device shuts off.

Cleaning after 72 hours of operation:

1. When the device has been in operation for 72 hours, the display will show “72 hours” and continue to flash until the cleaning time is reset.
2. Long-press the “Heat/Clean” button. The device will exit “Humidity” mode and enter Cleaning mode.
3. Clean the watertank (advise).
4. Press and hold the “On/Off” button for 2 seconds to turn off the “72 hours” cleaning message. The display will show “00 hours” and flash 3 times. The display will then show the humidity.
5. If the device has not yet been in operation for 72 hours, you can reset the cleaning mode by pressing and holding the On/Off button for 2 seconds to reset the device time to 0 and recalculate it. The “humidity” icon will show “00H” and flash 3 times. The normal display status is restored.

When sleep mode is enabled, no cleaning prompt is displayed. When exiting sleep mode, a cleaning prompt is displayed.

Humidity display:

When the humidity is below 45%, the water tank light will glow orange; when the humidity is between 45% and 60%, the light will glow blue; when the humidity is above 60%, the light will glow white. The average value is used as the display value.



Water shortage warning:

After the device detects that the water tank is empty, it switches to the heating-drying system and enters water shortage mode. In the event of water shortage, the water level indicator light and the colorful water tank light will flash red three times and beep three times. Then, activate the “warm mist” heating and drying+ system and, after 30 minutes, switch to standby mode.

Or, press the on/off button to switch off the device refill the water tank.

After refilling the water tank, the water level indicator light and the colorful water tank light will turn off, and the device will switch to standby mode.

Water Level Description:

The water tank scales are: full water, water shortage.

1. Low water: When the water pump detects a persistent water shortage for 10 seconds, the device switches to low water status.
2. Filling the water tank: Add water whenever the device is turned on or off. When the water tank is full, the digital display will flash 5 times and the buzzer will sound 5 times. FUL will appear on the display.

Ensure that the water tank is always completely refilled.

Cleaning and maintenance

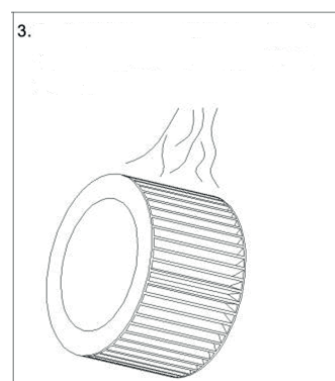
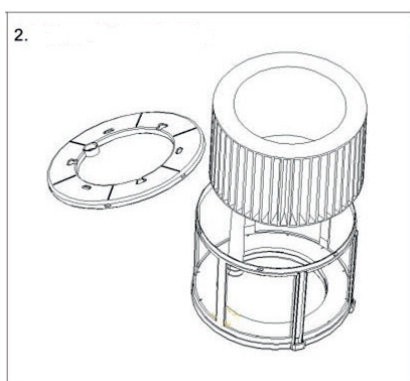
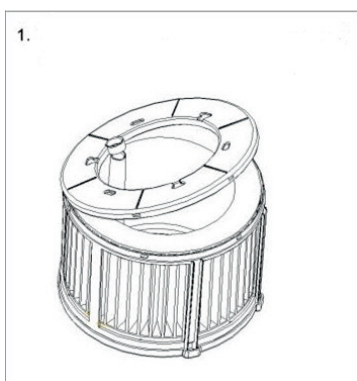
Cleaning the water filter

In some areas, water quality is poor. After prolonged use, limescale or dust may build up on the water filter surface. You can disassemble the water filter and rinse it with clean water. Under normal use, it is recommended to replace the water filter every six months.

Remove the water filter from the device and disassemble the bottom.

Remove the water filter from the device and disassemble the bottom.

Rinse off any dirt on the surface of the waterfilter with tap water and reassemble it. Place it back into the device..



Cleaning the hars filter

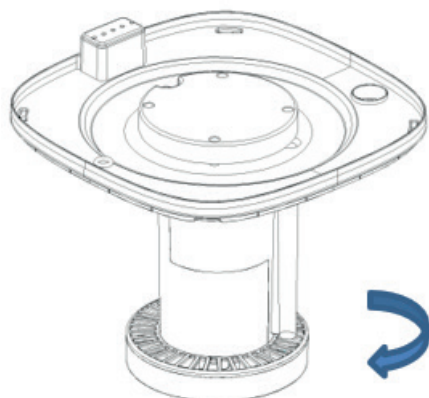
In some areas, water quality is poor. After prolonged use, limescale or dust may build up on the hars filter surface. You can disassemble the hars filter and rinse it with clean water. Under normal use, it is recommended to replace the water filter every six months.

Lift the water tank partition assembly, turn the water softener clockwise, and pull out the water softener directly when the buckle is loose (Picture 1).

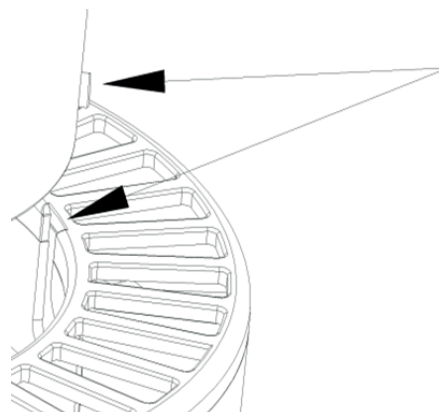
Rinse off any dirt on the surface of the resin filter with tap water and reassemble it.

The chute pointed by the arrow in the figure are aligned and inserted into them, and then turn the water softener counterclockwise until the buckle is felt (Picture 2).

Picture 1.



Picture 2.

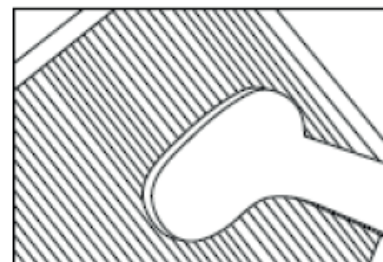


Cleaning the HEPA H13 filter

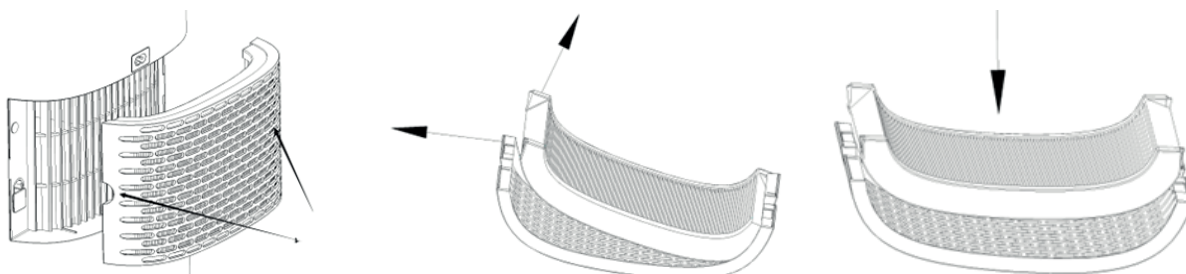
The best effect is reached by cleaning the filters once a month. If indoor air is extremely polluted, more cleaning can be required.

Clean the **Pre-filter** and the **HEPA filter** with a brush or your vacuum cleaner. That way bigger dust particles like lint, hair and dander of pets can be removed from the filter.

Warning! Do never wet or rinse the composite filters (**HEPA + Activated Carbon Filter**) with water.



Take out the filters from the filter frame compartment. After filter replacement or filter cleaning reinstall the filters back into the filter frame compartment and assemble back to the device, see the illustration below.



Signs for used up filters

Increased sound, reduced air flow, congested filters, rising presence of smells. The filter needs to be replaced by a new one when the HEPA filter changes its color from white to grey or black. If the HEPA filter remains white, there is **NO** need to replace the filter.

How to order filters:

Contact Clean Air Optima Customer Service tel. + 31 (0) 742670145 or visit our webshop: <https://www.cleanairoptima.com/-accessoires>

Cleaning the outside of the air purifier

1. Switch off the device and pull the plug.
2. Use a soft and humid piece of cloth to clean the device from dust and dirt.
3. Make sure that **no water** gets into the device.

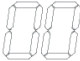

Clean the contact points.

Clean the contact points regularly with a clean, dry cloth.



Replacing of filters

The Clean Air Optima CA-806 Smart / CA-808 Smart is equipped with a filter lifespan surveillance mechanism that signals that the filters (HEPA H13, water filter, resin filter and silverion) have to be replaced after 1000 working hours. To show these items need to be replaced, the

device emits a double zero  indicator light. Reset the timer for the filters by pressing and holding the MIST level button  for about 4 seconds. If the indicator light goes out, the timer has been successfully reset.

Depending on the use, the filters have a lifespan of approx. 3 – 6 months. The UV-C lamp is permanent, no replacement needed.

Take out the filters from the filter frame compartment. After filter replacement or filter cleaning reinstall the filters back into the filter frame compartment and assemble back to the device, see the chapter maintenance.

Placing/Replacing the Clean Air Optima® Silver Ion SI-01

The **Silver Ion SI-01** uses the anti-microbial effect of silver, it prevents the growth of bacteria and smells in the water. The **Silver Ion SI-01** even works when your humidifier is switched off, so the water stays fresh.

Replace the **Silver Ion SI-01** at the start of the humidifier season or replace the **Silver Ion SI-01** after one year of usage.

Replacing the Silver Ion SI-01:

To get started, lift the bodyhousing, the bodyhousing is loose on the water tank. Remove the water filter from the water pump housing. Remove the water pump housing from the water tank.

Lift the bodyhousing



Water tank lid and filter



Silver Ion SI-01



1. Take out the used **Silver Ion SI-01**.
2. Insert the new **Silver Ion SI-01**.

Dispose of the **Silver Ion SI-01** with your regular household waste.

The **Silver Ion SI-01** should not be used longer than specified.

You can order the **Silver Ion SI-01** in our online store at www.cleanairoptima.com

Storing the Clean Air Optima[®] Dehumidifier/ Air Purifier

If the dehumidifier/ air purifier will not be used for an extended period:

1. First, empty and dry the water tank.
2. Run the air-drying program (see the “Power Button” section).
3. Unplug the device and roll up the power cord.
4. Remove and clean the filters. Replace the filters after cleaning.
5. Store the device in a cool, dry place, away from direct sunlight, extreme temperatures, and excessive dust.
5. If the device will not be used for an extended period, it is best to place a protective cover over it to prevent dust buildup. This can cause future cleaning and maintenance problems.

Cleaning the watertank

The water must be changed regularly in the water tank. The water should not remain in the water tank for more than 3 days.

- Please note that high humidity can promote the growth of biological organisms in the environment.
- Do not let the area around the humidifier get damp or wet. If moisture occurs, turn down the humidifier output. If the humidifier output volume cannot be reduced, use the humidifier intermittently. Do not allow absorbent materials such as carpeting, curtains, drapes or table-cloths to become damp.
- Pull the plug out of the socket during filling and cleaning.
- Never leave water in the tank when the device is not in use.
- Empty and clean the humidifier before storage. Clean the humidifier before next use.
- Clean the inside of the Water Tank with a mild detergent and rinse with clean water.

Warning: Microorganisms that may be present in the water or in the environment where the device is used can grow in the water tank and be blown into the air. This can lead to health risks if the water is not changed and the tank is not properly cleaned every 3 days.



Operation with Clean Air Optima[®] App

Connectivity

Compatibility with smartphone and tablet:



iPhone, iPad and Android devices

Device connects via WiFi with App:

CleanAirOptima

Attention: The router must be set to the 2.4 GHz broadband. If the router is set to the 5.0 GHz, it is impossible to establish a connection.

Set up WiFi connection

1. Download and install the “CleanAirOptima” App in the App Store or Google Play Store.
2. Make an account and log in.
3. The router must be set to the 2.4 GHz broadband. If the router is set to the 5.0 GHz, no connection can be established.
4. Make sure Bluetooth is enabled on your smartphone.
5. Plug the device into the power socket and switch it on. The WiFi indicator will blink. If the WiFi light does not blink, press the ‘MODE/ WiFi’ button for 5 seconds. Then the WiFi light will flash quickly. If the WiFi light blinks quickly, the device is ready to connect.
6. Make sure that your smartphone or tablet is successfully connected to your WiFi network.
7. Open the ‘CleanAirOptima’ App and click on ‘Add device’ . Your device is listed and you can select it. If not choose ‘Auto Scan’. Follow the on-screen instructions to connect the device to your network.
8. Choose to add the Clean Air Optima[®] device on the App, follow the instructions in the App.
9. When the device is paired, the WiFi indicator  light stays on constantly.
10. After the configuration is successful, you can use the Clean Air Optima[®] App to operate the device.

Note:

- If your default network has changed, reset the WiFi connection, follow step 1 to 10 in the ‘Set up WiFi connection’ section.
- If you want to pair multiple devices to your smartphone or tablet, you have to do this one after the other.
- Make sure that the distance between your smartphone or tablet and the device is less than 5 meters and there are no obstacles. Also make sure you are in the same room as the device.

Reset the WiFi function:

- The device must be switched on.
- Reset the WiFi by pressing the ‘MODE/ WiFi’ button for 5 seconds, the indicator light of the WiFi will blink rapidly.



Turn off WiFi function:

- Reset the WiFi by pressing the 'Mode' button for 5 seconds, the indicator light of the WiFi will blink rapidly.
- Turn of the WiFi by pressing the 'Mode' button for another 5 seconds, the indicator light of the WiFi will go out.

Connect devices to multiple phones

Note: First the other person needs to install the Clean Air Optima[®] App on his/her phone and create a new account.

Share the device with limited access:

You can choose to share 1 device with several persons.

This person will then have access, but will not be able to manage all the settings.

Follow the instructions below to share the device with several persons:

1. Go to the relevant device.
2. Go to the pencil or three dots in the top right.
3. Select 'Share device.'
4. Choose 'Add sharing'.
5. Choose the sharing method e.g. via email, whatsapp, sms etc. and continue.
6. The device will automatically appear in the Clean Air Optima[®] App with the other account.

Share device with full access:

You can add a person or several persons to your home management.

That person will then have access to all your devices that are already linked and has full rights and permissions. You will always remain the main administrator.

Follow the instructions below to add someone to your home management:

1. Open the Clean Air Optima[®] App and go to 'Me'.
2. Then choose 'Home Management'.
3. Choose 'Create a home'.
4. Select the relevant 'Home' and 'Add member'.
5. Choose the sharing method e.g. via email, whatsapp, sms etc. and continue.
6. The corresponding 'Home' will automatically appear in the Clean Air Optima[®] App of the person with whom you have shared your 'Home'.
7. On the other account:
Go to the home screen from the Clean Air Optima[®] App. Go to the top left and select the 'Home'.

Aromatherapy

Activating the aroma function:

- Remove the aroma tray from the bracket.
- Pour 5 - 10 drops of Clean Air Optima[®] essential oil onto the sponge.
- Put the aroma tray back into the bracket.
- When you turn on your air humidifier, the aroma function will be activated.
- If you want to deactivate the aroma function, or should the device not be in use for extended periods of time, remove the aroma sponge from the compartment and wash it with a little of mild soap water. Let it dry completely before placing it back in the aroma compartment. Basically, the aroma sponge is reusable.



Important

In order to reach the best results and to enjoy your air humidifier as much as possible, we advise to read carefully the following instructions regarding the use of essential oils in the air humidifier CA-806 Smart/ CA-808 Smart.

Use of essential oils in the CA-806 Smart/ CA-808 Smart

Use our high quality essential oils and enjoy your personal aromatherapy! A scent sensation at its highest level!

You can find high quality essential oils with many different scents in our assortment. They perfectly fit to the air humidifier/ air purifier CA-806 Smart/ CA-808 Smart and have been specially developed for the use with this humidifier:



You can order the **Essential Oils** in our online store at www.cleanairoptima.com

Warning!

The use of other essential oils not made for this air humidifier or other additives (for example: fragrances and water purification products) can damage the air humidifier and must **NOT** be used! Never put other pure essential oils or other additives into the water tank resp. the waterbasin! Even a small quantity can damage the plastic and cause cracks.

The material is not made for the use of additives. One drop is enough to damage the water tank/ waterbasin and disable the device. Devices that are damaged through additives are excluded from the guarantee.

Cleaning and maintenance

You can ensure that your **Clean Air Optima[®] CA-806 Smart/ CA-808 Smart** humidifier and air purifier will provide years of trouble-free operation by following a few simple maintenance procedures. If your water is hard and contains high concentrations of calcium and other minerals, over time white dust (lime) will start to settle on the various surfaces in the room. A white deposit (lime scale) will also form in the interior of the water tank. Lime deposits will impair the proper functioning of the **humidifier** and the efficient hygienic function of the unit.

We recommend the following

1. Clean the **water tank** once a week if you use the appliance daily with **Clean Air Optima[®] Cleaner & Descaler**.
2. As soon as the water tank needs refilling, pour out any remaining water and fill it with fresh water.
3. Clean the entire device and keep all parts completely dry when the device is not in use.



Specially developed for **Clean Air Optima[®]** aircoolers, humidifiers and dehumidifiers:

- Not aggressive
- Protects plastic and ceramic materials of the aircooler, humidifier and dehumidifier
- Odour neutral
- Cleans & descales quickly and thoroughly
- Biodegradable

You can order the **Clean Air Optima[®] Cleaner & Descaler** from our online shop at www.cleanairoptima.com.


Troubleshooting



The following is a troubleshooting guide to help you solve any issues that you may have using the **Clean Air Optima[®] Humidifier and Air Purifier CA-806 Smart/ CA-808 Smart**.

Problem	Possible Cause	Solution
No mist diffused.	Power plug not plugged in. ON / OFF button not activated. Empty water tank. Not enough water in tank.	Plug in device. Press ON / OFF button. Fill tank with water. Refill tank with water.
The mist has a strange odour.	A new device. It either has dirty water or the water has been stagnant too long.	Remove the water tank, unscrew the lid and let it air out in a cool area for 12 hours. Clean the water tank and refill with clean water.
The volume of spray mist is too low.	Too much mineral scale in the water basin and on the transducer. Water is too dirty or water was kept too long in the tank.	Clean the water basin and the transducer with: Clean Air Optima[®] Cleaner & Descaler. Clean the water tank and refill with clean water.
Device is noisy.	Water tank not positioned correctly. Not enough water in the water tank. Device is on an unstable surface.	Correctly position water tank on the base. Refill water in the water tank. Place device on solid and even ground.
Spray mist is coming out of the area around the mist nozzle.	There are gaps between the housing around the nozzle and the top of the water tank.	Remove the nozzle from the top of the water tank and clean with a damp cloth. Reattach to the water tank.
Operation with Clean Air Optima[®] App does not work.	Smartphone or tablet is not connected to WiFi network. The device has no connection to the network.	Turn on the device and reset the WiFi on the device by pressing the Manual mode button for 5 seconds, the indicator light of the WiFi will blink. Then follow step 3 to 10 from chapter Operation with Clean Air Optima[®] App .

Troubleshooting

The following is a troubleshooting guide to help you solve any issues that you may have using the **Clean Air Optima® Humidifier and Air Purifier CA-806 Smart/ CA-808 Smart**.

Problem	Possible Cause	Solution
Display shows double zero  .	The filters need to be replaced.	Reset the timer for the filter by pressing and holding the MODE button for about 3 seconds. When the indicator light goes out, the timer has been successfully reset.
The display shows 72H.	The machine has been working for 72 hours and needs to be cleaned. Clean watertank. Long-press the “Heat/Clean” button. The device will exit “Humidity” mode and enter Cleaning mode.	Press the power button for 3 seconds to reset.

Symbols	Meaning
	This symbol means that the filter must be checked and cleaned if necessary before the device is started up. Replace the filter every 2 to 3 months.
	This symbol means that the water tank should be cleaned every 3 days. Change the water in the water tank every 3 days. Remove the plug from the socket before you start cleaning.

If your water is very hard (containing abnormally high levels of minerals) the humidifier may produce white dust. This is not a malfunction. The solution would be to replace the Water Filter more often or use softer water, like distilled water.

WARNING!

If the above recommended solutions do not work, please contact Clean Air Optima technical support at the telephone number for your region. Do not attempt to disassemble, reassemble, or repair the device as this may void the warranty.

Specifications CA-806 Smart

Model	CA-806 Smart
For rooms up to	60m ² / 150m ³ / 645ft ²
Rated voltage	100V - 240V, 50/60Hz
Rated power	30W - Max. 230W
Capacity airhumidification	Min. 250 ml/h - Max. 800 ml/h
CADR	220 m ³ /h
Active oxygen	<0.05 ppm
Sound level	Silent fan < 25dB(A)
Dimensions	260 x 260 x 508 mm
Weight	5,0 kg
Water tank	8,0 L
Colour	White with smoked glass water tank

Specifications CA-808 Smart

Model	CA-808 Smart
For rooms up to	80m ² / 200m ³ / 856ft ²
Rated voltage	100V - 240V, 50/60Hz
Rated power	30W - Max. 230W
Capacity airhumidification	Min. 300 ml/h - Max. 1000 ml/h
CADR	220 m ³ /h
Active oxygen	<0.05 ppm
Sound level	Silent fan < 25dB(A)
Dimensions	260 x 260 x 508 mm
Weight	5,0 kg
Water tank	8,0 L
Colour	White with smoked glass water tank

Complies with EU regulations CE / WEEE / RoHS

Ask your retailer or your municipality for updated information regarding the disposal of the packaging and of the device.



Service

Warranty Certificate for the Clean Air Optima® Humidifier and Air Purifier CA-806 Smart/ CA-808 Smart.

Date of purchase:
Customers name:
Address:
Telephone:
Email:
Seller's name:
Address:

1. Please fill in completely this Warranty Certificate. Send it with the invoice and the unit, postage pre-paid and using the original packing box, to your distributor. Make sure to include the appropriate return postage for the package.

2. Please enclose a short description of the damage, fault or malfunction, and the circumstances under which these problems arose.

The **Clean Air Optima® Humidifier and Air Purifier CA-806 Smart/ CA-808 Smart** is subjected to strict testing procedures before leaving the factory. If within 2 years from the date of purchase the product does not perform according to the specifications, because of factory defects, the purchaser is entitled to free repairs or replacement of parts upon presentation of this warranty (provided that the malfunction or damage to the device and/or parts occurred under normal operating conditions). What is covered: All parts defective in material and workmanship. For how long: two years from purchase date. What we will do: Repair or replace any defective parts.

Other Conditions

The provisions of this warranty are in lieu of any other written warranty whether express or implied, written or oral, including any warranty of merchantability or fitness for a particular purpose. The manufacturer's maximum liability shall not exceed the actual purchase price paid by you for the product. In no event shall the manufacturer be liable for special, incidental, consequential, or indirect damages. This warranty does not cover a defect that has resulted from improper or unreasonable use or maintenance, faulty assembly, accident, natural catastrophes, improper packing, or unauthorized tampering, alteration, or modification as determined solely by us. This warranty is void if the label bearing the serial number has been removed or defaced.

Never put other pure essential oils or other additives into the water tank resp. the waterbasin! Even a small quantity can damage the plastic and cause cracks.

Thank you for reading!



Share your feedback about the Clean Air Optima®
Humidifier and Air Purifier CA-806 Smart/ CA-808 Smart on:
www.cleanairoptima.com



For frequently asked questions about the CA-806 Smart/ CA-808 Smart go
to:
www.cleanairoptima.com and search for the CA-806 Smart/ CA-808 Smart.



Download PDF instruction manual on:
www.cleanairoptima.com/info/manuals



Watch all Clean Air Optima® Product
animation video's on:
www.youtube.com

Clean Air Optima International B.V. | Rientjesoven 26 | 7621 HG Borne
The Netherlands | Phone: +31 (0) 74 - 2670145

Clean Air Optima Germany GmbH | Enschedestraße 14 | 48529 Nordhorn
Germany | Phone: +49 (0) 5921 879-121

E-mail: info@cleanairoptima.com

Internet: www.cleanairoptima.com

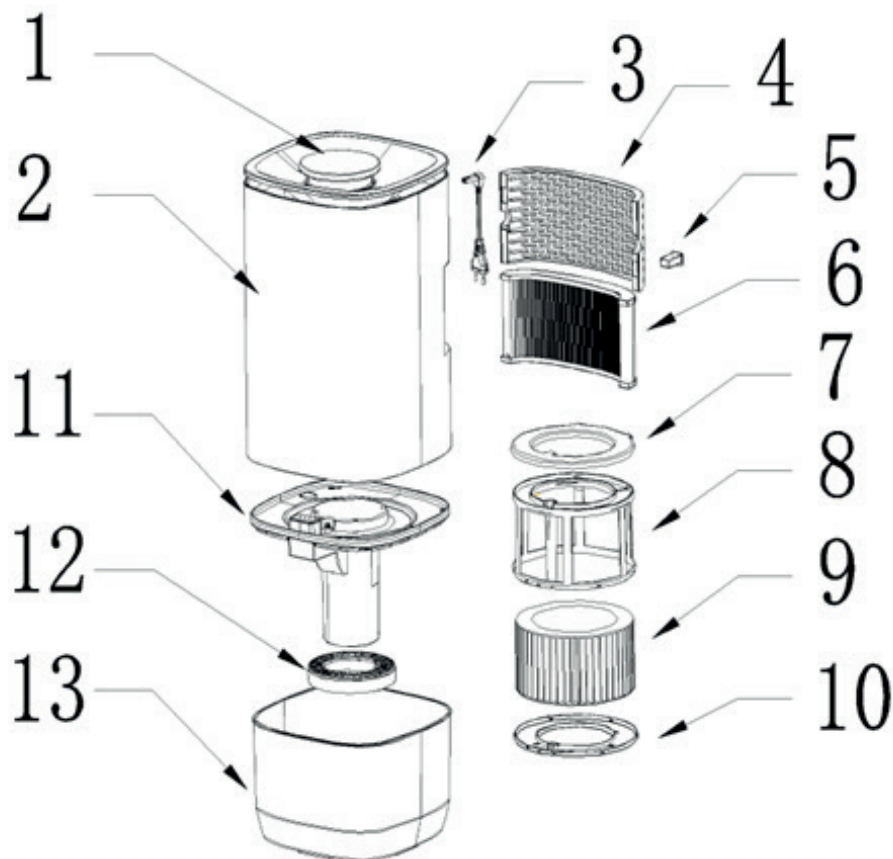
Deutsch

Vielen Dank, dass Sie sich für den Luftbefeuchter Clean Air Optima[®] Verdunstungsbefeuchter und Luftreiniger CA-806 Smart/ CA-808 Smart entschieden haben.

Wir wünschen Ihnen viele Jahre gesunde Raumluft mit diesem effizienten und effektiven Produkt.

Diese Anleitung beschreibt die Sicherheitsvorkehrungen, die im Betrieb zu beachten sind. Sie sind dafür vorgesehen, Verletzungen vorzubeugen und Beschädigungen am Gerät zu vermeiden.

CA-806 Smart/ CA-808 Smart Hauptgerät



Beschreibung des Geräts

Das Gerät besteht aus folgenden Hauptkomponenten:

- | | |
|-------------------------------|----------------------------------|
| 1. Displayabdeckung | 8. Wasserfilterhalterung |
| 2. Gehäuse | 9. Wasserfilter |
| 3. Netzkabel | 10. Wasserfilterhalterung unten |
| 4. Luftansauggitter | 11. Installation der Wasserpumpe |
| 5. Aromabox | 12. Harsfilter |
| 6. HEPA-Filter | 13. Wassertank |
| 7. Wasserfilterhalterung oben | |

Sicherheitshinweise

Dieses Gerät darf nur in Übereinstimmung mit diesen Sicherheitshinweisen verwendet werden. Führen Sie die folgenden Schritte aus, um das Verletzungsrisiko für Personen (z.B. durch Stromschläge oder Feuer) zu minimieren.

1. Nur für Innenräume geeignet. Nicht im Freien verwenden oder lagern.
2. Die richtige Spannung verwenden: AC 220 V - 240 V, 50/60 Hz
3. Das Gerät kann von Kindern ab 8 Jahren und von Personen mit eingeschränkten körperlichen, sensorischen oder geistigen Fähigkeiten oder mangelnden Erfahrungen und Kenntnissen benutzt werden, wenn sie beaufsichtigt werden oder eine Einweisung in den sicheren Gebrauch des Geräts erhalten haben und die mit ihm verbundenen Gefahren verstehen. Kinder dürfen nicht mit dem Gerät spielen. Die Reinigung und Wartung durch den Benutzer darf NICHT von Kindern ohne Aufsicht ausgeführt werden.
4. Schalten Sie das Gerät vor dem Einfüllen von Wasser aus.
5. Achten Sie darauf, dass das Gerät immer mit gefülltem Wassertank betrieben wird.
6. Es ist strengstens verboten, den Lufteinlass und -auslass während des Betriebs des Geräts mit Gegenständen abzudecken.
7. Lassen Sie kein Wasser im Wassertank, wenn das Gerät nicht verwendet wird.
8. Warnung: In der Umgebung, in der das Gerät verwendet oder gelagert wird, können im Wasser Mikroorganismen vorhanden sein. Wenn das Wasser nicht regelmäßig gewechselt oder das Aquarium nicht alle 3 Tage gereinigt wird, können sich diese Mikroben im Aquarium vermehren und in die Luft verdunsten, was zu ernsthaften Gesundheitsproblemen führen kann.
9. Wechseln Sie das Wasser alle 3 Tage.
10. Stellen Sie das Gerät zum sicheren Gebrauch in eine stabile, horizontale Position. Beim Gebrauch nicht bewegen.
11. Um Störungen und Schäden an anderen elektronischen Geräten zu vermeiden, sollte dieses Gerät mindestens 1 Meter von einem Computer, Fernseher, Radio oder anderen elektronischen Geräten entfernt aufgestellt werden.
12. Verwenden Sie das Gerät nicht, wenn sichtbare Schäden am Netzkabel oder am Gerät selbst vorhanden sind. Reparieren Sie das Gerät nicht selbst, wenn es beschädigt ist. Ziehen Sie das Gerät niemals an seinem Kabel. Wenn das Netzkabel beschädigt ist, muss es von einem befugten Servicemitarbeiter ausgetauscht werden, um Stromschlag oder Feuer zu vorbeugen.
13. Reparaturen dürfen nur von befugtem Servicepersonal durchgeführt werden. Nicht versuchen, das Gerät selbst zu reparieren, um Stromschlägen oder Feuer vorzubeugen.
14. Immer den Stecker aus der Steckdose ziehen, wenn das Gerät nicht benutzt wird, oder wenn Sie innere oder äußere Teile des Geräts reinigen.
15. Den Wassertank herausnehmen, bevor Sie das Gerät bewegen.
16. Verwenden Sie nur die mitgelieferten Netzkabel.
17. Verwenden Sie das Gerät nicht in Räumen, in denen brennbare Flüssigkeiten oder Gase aufbewahrt werden, in der Nähe von Wärmequellen oder in besonders feuchten Räumen wie dem Badezimmer.
18. Um Fehlfunktionen vorzubeugen: Keine Fremdkörper in das Gerät einführen.
19. Nie die inneren Teile des Geräts zerlegen oder ersetzen.
20. Das Gerät nicht in direktem Sonnenlicht aufbewahren, damit sich das Gerät nicht verfärbt.
21. Nie das Gerät in Wasser oder andere Flüssigkeiten eintauchen.
22. Berühren Sie das Netzkabel nicht mit nassen Händen.

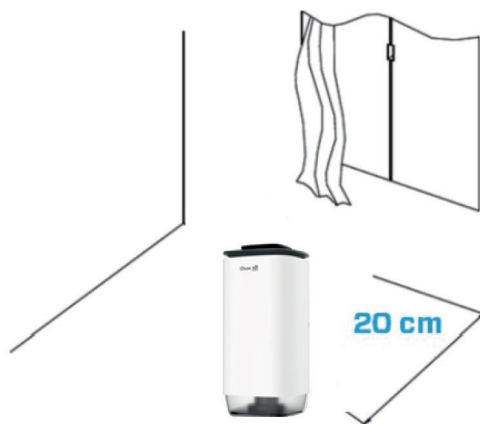
23. Vor der Aufbewahrung das Gerät reinigen und trocknen (auch das gesamte Wasser aus dem Inneren des Geräts entfernen). Bewahren Sie das Gerät an einem kühlen und trockenen Ort außerhalb der Reichweite von Kindern.

24. Die Wasserwanne nicht reinigen, wenn das Wasser noch heiß ist.

25. Verwenden, warten und reinigen Sie das Gerät wie in dieser Anleitung beschrieben.

Installation

Achten Sie darauf, dass das Gerät 20 cm von Wänden und Möbeln entfernt steht, siehe Abbildung unten.



Entfernen Sie zuerst die Versiegelung der Filter.



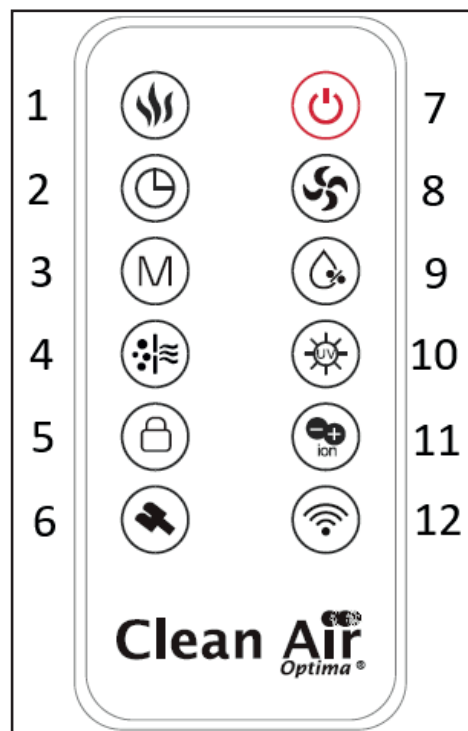
Entfernen Sie die Schutzfolie vom Display.



Fernbedienung

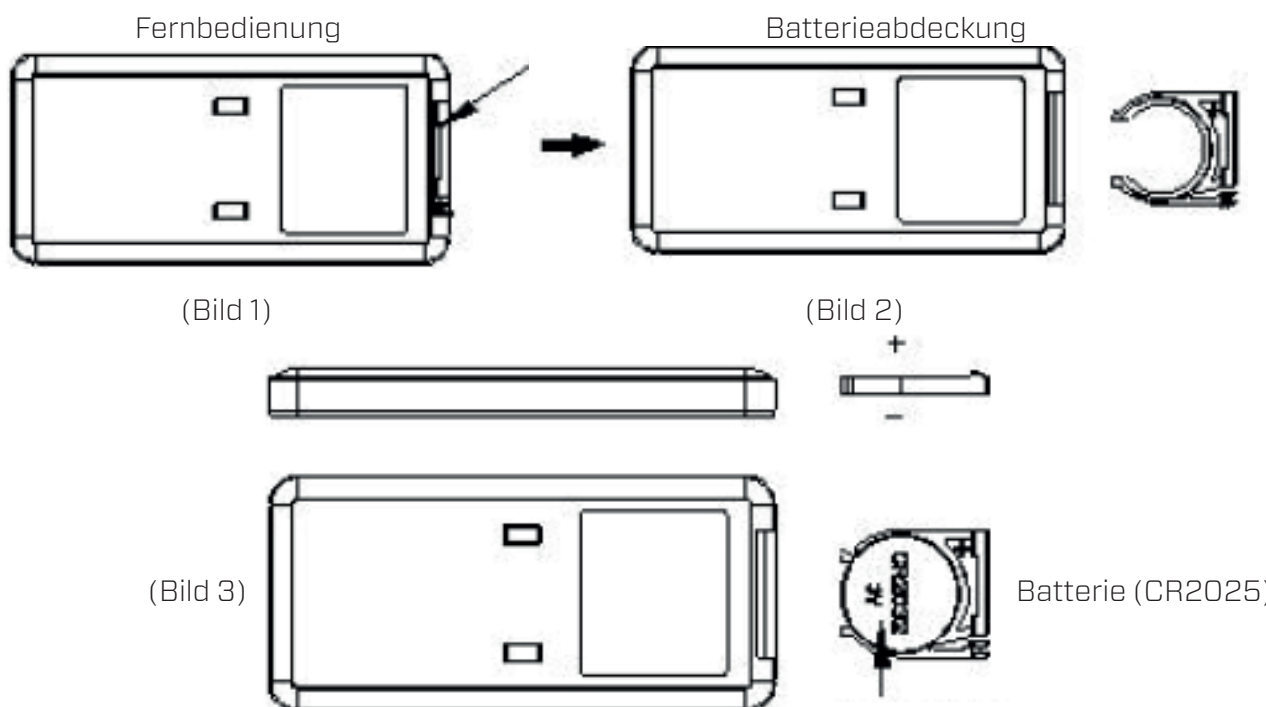
Die Tasten auf Ihrer Fernbedienung:

1. Heizung/ Reinigung
2. Timer
3. Modus
4. Luftreinigung
5. Kindersicherung
6. Reinigungsmodus
7. EIN/ AUS
8. Nebelstufen
9. Feuchtigkeit
10. UV
11. Negativ Ionen
12. WLAN



Fernbedienung

1. Öffnen Sie die Batterieabdeckung an der Rückseite der Fernbedienung, um die Batterie einzulegen, (siehe Bild 1).
2. Zum Einsetzen der Batterie: An der Unterseite der Fernbedienung befindet sich eine „Sicherheitslasche“, die Sie zuerst nach rechts schieben und dann den Batteriehalter herausziehen müssen, (siehe Bild 2). Setzen Sie die Batterie richtig gepolt ein, (siehe Bild 3).
3. Die Batterieabdeckung wieder in die Fernbedienung drücken.



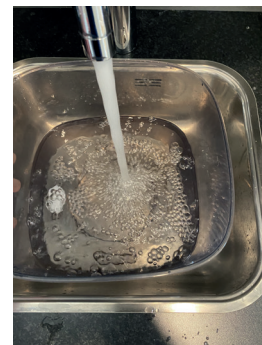
Bedienungsanleitung

Bevor Sie beginnen: Nehmen Sie den Clean Air Optima CA-806 Smart/ CA-808 Smart aus dem Karton und lassen Sie ihn mindestens 30 Minuten an die Raumtemperatur akklimatisieren, besonders wenn das Gerät von der Außenluft kalt ist. Stellen Sie das Gerät auf eine feste, ebene und wasserunempfindliche Fläche, mindestens 20 cm von der Wand entfernt.

Der CA-806 Smart & CA-808 Smart ist für den Betrieb bei Temperaturen von 5 bis 40 °C und einer relativen Luftfeuchtigkeit unter 85 % ausgelegt.

Als erstes heben Sie zunächst das Gehäuse an. Es liegt lose am Wassertank an. Entfernen Sie den Wasserfilter vom Pumpengehäuse. Entfernen Sie das Pumpengehäuse vom Wassertank. Füllen Sie den Wassertank nun bis zur Markierung „Max.“ oder geben Sie weniger Wasser hinein.

Heben Sie zunächst das Gehäuse an **Wassertankdeckel und Filter** **Wasserhahn zum Befüllen**



Stellen Sie dann den Wassertank zum Befüllen unter den Wasserhahn. Füllen Sie den Tank mit Leitungswasser (oder einer anderen sauberen Wasserquelle mit einer Wassertemperatur unter 40 °C), setzen Sie den Deckel und den Filter wieder ein.

Befüllen von oben: Der Wassertank kann auch mit einer Gießkanne nachgefüllt werden. Direkt von der Oberseite des Befeuchters.

Top-Füllung



Abbildung 1.

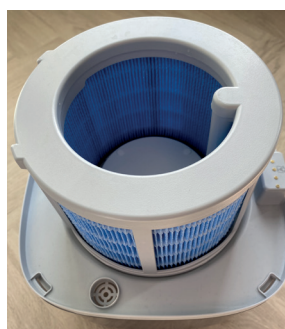
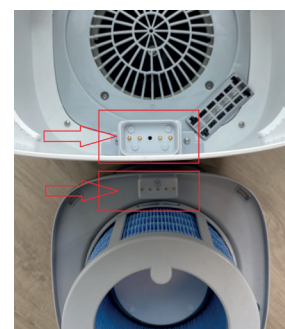


Abbildung 2.



Setzen Sie den Wassertank und die Filter wieder ein (Abbildung 1.).

Setzen Sie das Gehäuse wieder auf den Wassertank und schieben Sie es so über den Filter, dass die Kontaktpunkte aneinander liegen (Abbildung 2).

Stecken Sie den Netzstecker in eine geeignete Steckdose. Ein Signalton gibt an, dass sich das Gerät im Standby-Modus befindet. Wenn der Befeuchter ein- und ausgeschaltet wird, werden die Werte für die Luftfeuchtigkeit angezeigt.



Ein/Aus-Taste:

Drücken Sie im Standby-Modus die Ein-/Aus-Taste, um den Luftbefeuchter zu aktivieren:

- Sobald sich Wasser im Wassertank befindet, ertönt ein Piepton, und das Gerät wechselt in den Betriebsmodus. Der erste Startzustand des Geräts: Das Gerät arbeitet auf Stufe 3, das UV-Symbol leuchtet auf, die Wasserpumpe beginnt zu arbeiten.
- Drücken Sie diese Taste im Betriebsmodus: Das Gerät wechselt in den Lufttrocknungsmodus und nach dem Lufttrocknungsprozess in den Standby-Modus. Das Gerät befindet sich im Betriebszustand (außer bei aktivierter Kindersicherung). Drücken Sie die Ein-/Aus-Taste, um das Lufttrocknungsprogramm zu starten.

Der Lufttrocknungsprozess funktioniert wie folgt:

- Das Gerät arbeitet auf Stufe 4, das Symbol „PTC-Heizung ein“ leuchtet auf, die anderen Symbole auf dem Display erlöschen. Nach 50 Minuten Lufttrocknung schaltet sich das Gerät aus und wechselt in den Standby-Modus. (Hinweis: Die Heizfunktion schaltet sich nach 45 Minuten des Lufttrocknungsprogramms vorzeitig ab).
- Drücken Sie während des Lufttrocknungsvorgangs die Ein-/Aus-Taste. Das Gerät beendet den Lufttrocknungsmodus und wechselt in den Standby-Modus.



UV-Taste/Negativ-Ionen-Taste:

Das Gerät startet mit eingeschalteter UV-Lampe. Drücken Sie die Taste erneut, um sie auszuschalten. Um den Ionisator einzuschalten, halten Sie die Taste 3 Sekunden lang gedrückt. Drücken Sie sie erneut 3 Sekunden lang, um den Ionisator auszuschalten.

Die UV-Sterilisationsfunktion tötet Bakterien im Luftstrom ab, bevor der Nebel in den Raum gelangt.

Drücken der **Negative Ion-Taste** aktiviert den Negativionengenerator mit einer Gesamtkapazität von > 3.000.000 negativen Ionen / cm³ die sich über den gesamten Raum verteilen und so Schadstoffe und Gerüche neutralisieren. Negative Ionen binden sich an Staubpartikel, Mikroorganismen und andere unerwünschte Partikel in der Luft und verbinden sie miteinander. Auf diese Weise werden die Partikel schwerer als Luft und fallen auf den Boden, so dass sie nicht mehr eingeatmet werden können.

Negative Ionen sind am häufigsten im Wald, in den Bergen und am Meer zu finden. Negative Ionen sorgen für frische und gesunde Luft.



Feuchtigkeit-Taste:

Durch Drücken der **Humidity-Taste** können Sie den gewünschten Feuchtigkeitsgrad durch wiederholtes Drücken dieser Taste auswählen, bis der gewünschte Feuchtigkeitsgrad angezeigt wird (von 30 % bis 80 % in Schritten von 5 %). Sobald Sie Ihre gewünschte Luftfeuchtigkeit ausgewählt haben, lassen Sie die Taste einfach los, und Ihre Luftfeuchtigkeit ist eingestellt.

Nach der Einstellung blinkt die Anzeige einmal pro Sekunde und anschließend dreimal kontinuierlich, um den aktuellen Einstellwert anzuzeigen. Nach dem Blinken wird die aktuelle Luftfeuchtigkeit angezeigt (Anzeigebereich: 20–90 % relative Luftfeuchtigkeit).

Die Geschwindigkeit bleibt in den ersten zwei Minuten nach dem Wechsel des Geräts in den Konstantfeuchtigkeitsmodus unverändert. Nach zwei Minuten arbeitet der Ventilator gemäß den folgenden Schema:

1. Wenn die Luftfeuchtigkeit die eingestellte Luftfeuchtigkeit erreicht oder überschreitet, stoppt das Gerät die Befeuchtung und der Ventilator läuft auf Stufe 1.
2. Wenn die tatsächliche Luftfeuchtigkeit unter der eingestellten Luftfeuchtigkeit von „2 %“ liegt, das Gerät befeuchtet weiterhin auf Stufe 2.
3. Wenn die tatsächliche Luftfeuchtigkeit unter der eingestellten Luftfeuchtigkeit von „4 %“ liegt, das Gerät befeuchtet weiterhin auf Stufe 3.
4. Wenn die tatsächliche Luftfeuchtigkeit unter der eingestellten Luftfeuchtigkeit von „6 %“ liegt, das Gerät befeuchtet weiterhin auf Stufe 4.

Hinweis: Wenn die Geschwindigkeit im Konstantfeuchtigkeitsmodus geändert wird, läuft das Gerät zwei Minuten lang mit der eingestellten Geschwindigkeit und wiederholt den obigen Vorgang nach zwei Minuten.

Drücken Sie die Taste „Luftfeuchtigkeit“. Das Gerät zeigt den aktuellen Feuchtigkeitswert an. Drücken Sie anschließend erneut die Taste „Luftfeuchtigkeit“, um den Feuchtigkeitswert entsprechend anzupassen.



Modus-Taste/WLAN-Taste:

Beim ersten Drücken der Modus-Taste leuchtet das Symbol „Auto-Modus“ auf und blinkt dreimal, bevor der automatische Modus aktiviert wird. Durch erneutes Drücken der Modus-Taste innerhalb von drei Sekunden wechselt das Gerät in den Gesundheitsmodus. Das Symbol „Gesundheitsmodus“ blinkt anschließend dreimal, bevor der Gesundheitsmodus aktiviert wird. Und so weiter.

Die Reihenfolge der Modus-Tasten ist wie folgt: Automatikmodus -> Gesundheitsmodus -> Ruhemodus -> Keine Einstellungen -> Automatikmodus.

Automatikmodus:

Nach dem Wechsel in den Automatikmodus wird die Luftfeuchtigkeit auf 68 % eingestellt und die Nebelmenge wird 5 Minuten lang auf Stufe 4 befeuchtet. Nach 5 Minuten wird die Nebelmenge wie folgt angepasst:

Bei einer Luftfeuchtigkeit unter 60 % wird die Nebelmenge auf 4 Stufen eingestellt; bei einer Luftfeuchtigkeit zwischen 60 % und 63 % wird die Nebelmenge auf 3 Stufen eingestellt; bei einer Luftfeuchtigkeit zwischen 64 % und 68 % wird die Nebelmenge auf 2 Stufen eingestellt; bei einer Luftfeuchtigkeit über 68 % wird die Nebelmenge auf 1 Stufe eingestellt.

Gesundheitsmodus:

Drücken Sie die Modustaste ein zweites Mal. Das Symbol „Gesundheitsmodus“ blinkt dreimal pro Sekunde. Anschließend wird der Gesundheitsmodus aktiviert.

Nach Aktivierung des Gesundheitsmodus leuchtet das Symbol „Gesundheitsmodus“ auf dem Ziffernblock auf. Die negativen Ionen und das UV-Licht werden aktiviert und das Gerät arbeitet auf Stufe 3.

Nach Aktivierung des Gesundheitsmodus erkennt das Gerät automatisch die optimale Luftfeuchtigkeit anhand der Umgebungstemperatur und erhöht die Luftfeuchtigkeitseinstellung entsprechend dem ermittelten Wert um 5 %. Beträgt der ermittelte Wert beispielsweise 45 %, beträgt die eingestellte Luftfeuchtigkeit 50 % usw. Wenn das Gerät die eingestellte Luftfeuchtigkeit erreicht oder überschreitet, läuft der Ventilator auf Stufe 1. Fällt die Luftfeuchtigkeit unter den eingestellten Wert von 2 %, schaltet das Gerät auf Stufe 3 zurück.

Schlafmodus:

Drücken Sie die Modus-Taste ein drittes Mal. Das Symbol „Schlafmodus“ blinkt dreimal pro Sekunde und der Schlafmodus wird aktiviert:

1. Die Funktionen, die vor dem Wechsel des Geräts in den Schlafmodus aktiviert waren (einschließlich UV, Zeitmessung und negative Ionen), werden durch den Schlafmodus nicht beeinträchtigt.
2. Nach 10 Sekunden, wenn das Gerät in den Schlafmodus wechselt, schaltet sich das Display aus (mit Ausnahme des Symbols „Schlafmodus“) und das Gerät arbeitet mit 75 % der Geschwindigkeit der Nebelstufe 1.

Wenn das Gerät im Schlafmodus erkennt, dass der Wassertank leer ist, leuchtet das Symbol „Wassermangel“ dauerhaft, der Summer ertönt nicht und das Gerät wechselt in den Standby-Modus.

WLAN-Verbindung:

Halten Sie die Modus-/WLAN-Taste 3 Sekunden lang gedrückt. Das Gerät wechselt in den WLAN-Kopplungsstatus und das WLAN-Symbol blinkt, bis die Kopplung erfolgreich abgeschlossen ist. Halten Sie die Taste „Modus/WLAN“ erneut 3 Sekunden lang gedrückt. Der Summer ertönt einmal, das Gerät beendet die WLAN-Kopplung und das WLAN-Symbol erlischt.




Heiz-Taste/ Reinigungsmodus-Taste:

Durch Drücken der Taste „Heizen“ wird die Heizfunktion aktiviert. Die Heizung sorgt für ein schnelles und effektives Trocknen des Wasserfilters.

Nach Aktivierung der Heizfunktion arbeitet das Gerät auf Stufe 4. Die Geschwindigkeit kann nicht angepasst werden; dadurch wird die Heizfunktion deaktiviert.

Drücken Sie die Taste „Heizen/Reinigen“ erneut, um diese Funktion zu deaktivieren.

Halten Sie die Taste „Heizen/Reinigen“ gedrückt. Das Gerät verlässt den Modus „Heizen/Reinigen“ und wechselt in den Reinigungsmodus .



Nebelstufentaste:

Das Gerät befeuchtet weiterhin die Luft, und die Luftfeuchtigkeit kann nicht reguliert werden. Das Gerät arbeitet werkseitig auf Stufe 3.

Das Gerät verfügt über 4 Stufen. Drücken Sie die Taste jeweils, um eine Stufe auf der Skala zu erreichen.

Die Nebelstufenfolge lautet: 3 -> 4 -> 1 -> 2 -> 3 -> 4 -> 1 -> 2 -> 3 usw.

Die Wasserpumpe läuft die ersten 2 Minuten ununterbrochen.

Nach 2 Minuten stoppt die Wasserpumpe für 3 Minuten und läuft dann 15 Sekunden lang. Anschließend stoppt sie für 3 Minuten und läuft erneut 15 Sekunden lang usw.



Luftreinigung/ Kindersicherungstaste:

Drücken Sie die Taste „Luftreinigung/Kindersicherung“, um den Luftreinigungsmodus zu starten. Die Wasserpumpe schaltet sich ab und die Luftfeuchtigkeitsanzeige wird deaktiviert. Das PM2.5-Symbol leuchtet auf und zeigt die aktuelle Luftqualität an. Drücken Sie die Taste erneut, um zum Befeuchtungsmodus zurückzukehren.

Halten Sie die Taste „Luftreinigung/Kindersicherung“ drei Sekunden lang gedrückt. Das Symbol für die aktivierte Kindersicherung leuchtet auf. Halten Sie die Taste erneut drei Sekunden lang gedrückt. Das Symbol für die deaktivierte Kindersicherung erlischt.



Timer-Taste:

Durch Drücken der **Timer-Taste** wird der Timer eingestellt. Die Timerfunktion bestimmt, wie viele Stunden der Befeuchter arbeitet. Den Timer können Sie einfach einstellen, indem Sie ihn einmal für jede Stunde drücken, in der Sie das Gerät betreiben möchten. Der Timer kann von 1 Stunde bis 12 Stunden eingestellt werden. Im Laufe der Zeit nimmt der Zeit.

Reinigung nach 72 Betriebsstunden:

1. Wenn das Gerät 72 Stunden in Betrieb war, zeigt das Display „72 Stunden“ an und blinkt weiter, bis die Reinigungszeit zurückgesetzt wird.
2. Drücken Sie die Taste „Heizen/Reinigen“ lange. Das Gerät verlässt den Feuchtigkeitsmodus und wechselt in den Reinigungsmodus.
3. Reinigen Sie den Wassertank (empfohlen).
4. Halten Sie die „Ein/Aus“-Taste 2 Sekunden lang gedrückt, um die Reinigungsmeldung „72 Stunden“ auszuschalten. Das Display zeigt „00 Stunden“ an und blinkt dreimal. Anschließend wird die Luftfeuchtigkeit angezeigt.
5. Wenn das Gerät noch keine 72 Stunden in Betrieb war, können Sie den Reinigungsmodus zurücksetzen, indem Sie die „Ein/Aus“-Taste 2 Sekunden lang gedrückt halten. Dadurch wird die Gerätezeit auf 0 zurückgesetzt und neu berechnet. Das „Luftfeuchtigkeit“-Symbol zeigt „00H“ an und blinkt dreimal. Der normale Anzeigezustand wird wiederhergestellt.

Im Schlafmodus wird keine Reinigungsaufforderung angezeigt. Beim Verlassen des Schlafmodus wird eine Reinigungsaufforderung angezeigt.

Feuchtigkeitsanzeige:

Bei einer Luftfeuchtigkeit unter 45 % leuchtet die Wassertankanzeige orange; bei einer Luftfeuchtigkeit zwischen 45 % und 60 % leuchtet sie blau; bei einer Luftfeuchtigkeit über 60 % leuchtet sie weiß. Der Durchschnittswert wird als Anzeigewert verwendet.

Wassermangelwarnung:

Sobald das Gerät einen leeren Wassertank erkennt, schaltet es in den Heiz- und Trocknungsmodus und in den Wassermangelmodus. Bei Wassermangel blinken die Wasserstandsanzeige und die farbige Wassertankleuchte dreimal rot und piepen dreimal. Aktivieren Sie anschließend das Heiz- und Trocknungssystem „Warmnebel“ und schalten Sie das Gerät nach 30 Minuten in den Standby-Modus.

Oder drücken Sie die Ein-/Aus-Taste, um das Gerät auszuschalten und den Wassertank aufzufüllen.

Nach dem Auffüllen des Wassertanks erlöschen die Wasserstandsanzeige und die farbige Wassertankleuchte, und das Gerät wechselt in den Standby-Modus.

Beschreibung des Wasserstands:

Die Wassertankanzeigen lauten: Voll, Wassermangel.

1. Wassermangel: Wenn die Wasserpumpe 10 Sekunden lang einen anhaltenden Wassermangel erkennt, schaltet das Gerät in den Wassermangelmodus.
2. Wassertank füllen: Füllen Sie bei jedem Ein- und Ausschalten des Geräts Wasser nach. Wenn der Wassertank voll ist, blinkt die Digitalanzeige fünfmal und der Summer ertönt fünfmal. Auf dem Display erscheint FUL.

Stellen Sie sicher, dass der Wassertank immer vollständig gefüllt ist.

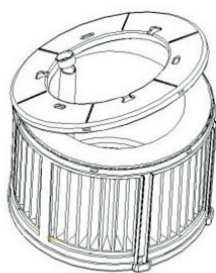
Reinigung und Wartung

Wasserfilter reinigen

In manchen Regionen ist die Wasserqualität schlecht. Nach längerem Gebrauch können sich Kalk oder Staub auf der Filteroberfläche ablagern. Sie können den Wasserfilter zerlegen und mit klarem Wasser abspülen. Bei normalem Gebrauch wird empfohlen, den Wasserfilter alle sechs Monate auszutauschen.

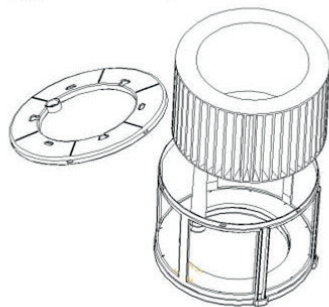
Entfernen Sie den Wasserfilter aus dem Gerät und demontieren Sie den Boden.

1.



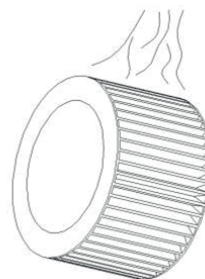
Entnehmen Sie den Wasserfilter.

2.



Spülen Sie Schmutz von der Filteroberfläche mit Leitungswasser ab und setzen Sie ihn wieder ein. Setzen Sie ihn wieder in das Gerät ein.

3.



Reinigung des Harzfilters

In manchen Regionen ist die Wasserqualität schlecht. Nach längerem Gebrauch können sich Kalk oder Staub auf der Oberfläche des Harzfilters ablagern. Sie können den Harzfilter zerlegen und mit klarem Wasser abspülen. Bei normalem Gebrauch wird empfohlen, den Wasserfilter alle sechs Monate auszutauschen.

Heben Sie die Wassertank-Trennwand an, drehen Sie den Wasserenthärter im Uhrzeigersinn und ziehen Sie ihn direkt heraus, wenn der Verschluss gelöst ist (Abbildung 1).

Spülen Sie Schmutz von der Oberfläche des Harzfilters mit Leitungswasser ab und setzen Sie ihn wieder ein.

Die mit dem Pfeil in der Abbildung markierten Einfüllöffnungen werden ausgerichtet und in die Einfüllöffnungen eingesetzt. Drehen Sie den Wasserenthärter anschließend gegen den Uhrzeigersinn, bis der Verschluss spürbar ist (Abbildung 2).

Bild 1.

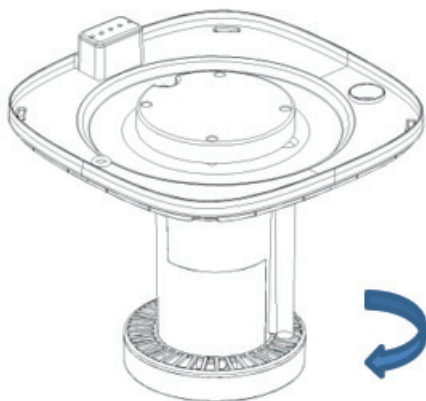
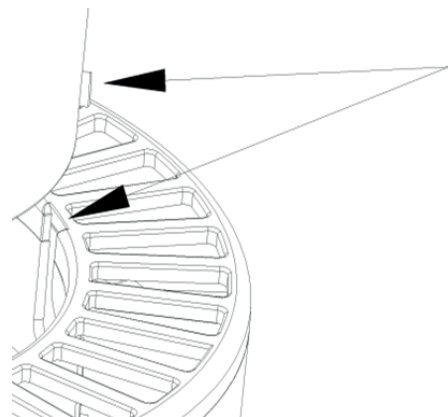


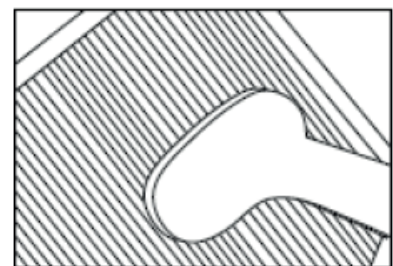
Bild 2.



Filterreinigung HEPA H13 filter

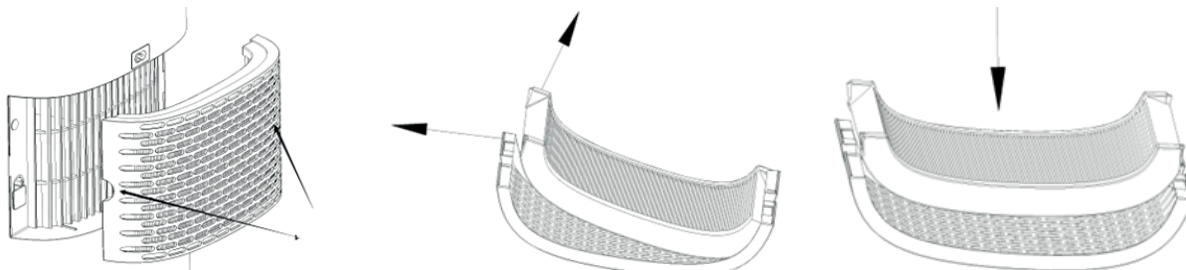
Die beste Wirkung wird erzielt, wenn die Filter einmal im Monat gereinigt werden. Bei stark belasteter Raumluft kann eine weitere Reinigung erforderlich sein.

Reinigen Sie den **Vorfilter** und den **HEPA-Filter** mit einer Bürste oder Ihrem Staubsauger. Auf diese Weise können größere Staubpartikel (wie Flusen, Haare und Hautschuppen von Haustieren) aus dem Filter entfernt werden.



Warnung! Befeuchten oder spülen Sie die Verbundfilter (**HEPA + Aktivkohlefilter**) niemals mit Wasser.

Nehmen Sie die Filter aus dem Filterrahmenfach heraus. Setzen Sie die Filter nach dem Filterwechsel oder der Filterreinigung wieder in das Filterrahmenfach ein und befestigen Sie sie wieder am Gerät, siehe Abbildung unten.



Anzeichen für verbrauchte Filter

Lauteres Betriebsgeräusch, reduzierter Luftstrom, überfüllte Filter, zunehmende Geruchsbelästigung. Der Filter muss durch einen neuen ersetzt werden, wenn sich die Farbe des HEPA-Filters von weiß zu grau oder schwarz geändert hat. Wenn der HEPA-Filter noch weiß ist, ist ein Austausch des Filters nicht erforderlich.

Bestellen von Filtern:

Kontaktieren Sie den Kundendienst von Clean Air Optima unter Tel. + 31 (0) 742670145 oder besuchen Sie unseren Webshop: <https://www.cleanairoptima.com/-accessoires>

Reinigung der Außenseite des Luftreinigers

1. Schalten Sie das Gerät aus und ziehen Sie den Netzstecker aus der Steckdose.
2. Reinigen Sie das Gerät mit einem feuchten, weichen Tuch von Staub und Schmutz.
3. Stellen Sie sicher, dass **kein Wasser** in das Gerät gelangt.



Reinigen Sie die Kontaktpunkte.

Reinigen Sie die Kontaktpunkte regelmäßig mit einem sauberen, trockenen Tuch.



Filterwechsel

Der Clean Air Optima CA-806 Smart / CA-808 Smart ist mit einer Filterlebensdauerüberwachung ausgestattet. Diese signalisiert, dass die Filter (HEPA H13, Wasserfilter, Harzfilter und Silberionenfilter) nach 1000 Betriebsstunden ausgetauscht

werden müssen. Eine Doppel-Null-Kontrollleuchte  zeigt den notwendigen Austausch an. Setzen Sie den Timer für die Filter zurück, indem Sie die Nebelstufen-Taste  ca. 4 Sekunden lang gedrückt halten. Erlischt die Kontrollleuchte, ist der Timer erfolgreich zurückgesetzt.

Je nach Nutzung haben die Filter eine Lebensdauer von ca. 3–6 Monaten. Die UV-C-Lampe ist dauerhaft im Einsatz und muss nicht ausgetauscht werden.

Entnehmen Sie die Filter aus dem Filterrahmenfach. Setzen Sie die Filter nach dem Filterwechsel bzw. der Filterreinigung wieder in das Filterrahmenfach ein und montieren Sie sie wieder am Gerät (siehe Kapitel Reinigung und Wartung).

Einsetzen/Ersetzen des Clean Air Optima[®] Silver Ion SI-01

Der **Silver Ion SI-01** verhindert Wachstum von Bakterien und Gerüche im Wasser durch die antimikrobielle Wirkung von Silber. Der **Silver Ion SI-01** funktioniert sogar, wenn Ihr Befeuchter ausgeschaltet ist, so dass das Wasser frisch bleibt.

Ersetzen Sie den **Silver Ion SI-01** zu Beginn der Befeuchtersaison oder ersetzen Sie den **Silver Ion SI-01** nach einem Jahr Gebrauch.

Ersetzen des Silver Ion SI-01:

Als erstes heben Sie zunächst das Gehäuse an. Es liegt lose am Wassertank an. Entfernen Sie den Wasserfilter vom Pumpengehäuse. Entfernen Sie das Pumpengehäuse vom Wassertank.

Heben Sie zunächst
das Gehäuse an



Wassertankdeckel und Filter



Silver Ion SI-01



1. Nehmen Sie den gebrauchten **Silver Ion SI-01** heraus.
2. Setzen Sie den neuen **Silver Ion SI-01** ein.

Entsorgen Sie den **Silver Ion SI-01** mit dem normalen Hausmüll.
Der **Silver Ion SI-01** sollte nicht länger als angegeben verwendet werden.
Den **Silver Ion SI-01** können Sie bestellen in unserem Online-Shop unter
www.cleanairoptima.com

Lagerung des Clean Air Optima[®] Luftentfeuchters/ Luftreinigers

Wenn der Luftentfeuchter/Luftreiniger längere Zeit nicht benutzt wird:

1. Entleeren und trocknen Sie zunächst den Wassertank.
2. Starten Sie das Lufttrocknungsprogramm (siehe Abschnitt „Ein-/Aus-Taste“).
3. Ziehen Sie den Netzstecker und rollen Sie das Netzkabel auf.
4. Entnehmen und reinigen Sie die Filter. Setzen Sie die Filter nach der Reinigung wieder ein.
5. Lagern Sie das Gerät an einem kühlen, trockenen Ort und schützen Sie es vor direkter Sonneneinstrahlung, extremen Temperaturen und übermäßigem Staub.
5. Wenn das Gerät längere Zeit nicht benutzt wird, legen Sie am besten eine Schutzhülle darüber, um Staubablagerungen zu vermeiden. Dies kann spätere Reinigungs- und Wartungsprobleme verursachen.

Reinigung des Wassertanks.

Das Wasser im Wassertank muss regelmäßig gewechselt werden. Das Wasser sollte nicht länger als 3 Tage im Wassertank bleiben.

- Bitte beachten Sie, dass hohe Luftfeuchtigkeit das Wachstum biologischer Organismen in der Umgebung fördern kann.
- Sorgen Sie dafür, dass die Umgebung des Luftbefeuchters nicht feucht oder nass wird. Wenn Feuchtigkeit auftritt, reduzieren Sie die Luftbefeuchterleistung. Wenn die Ausgangsmenge des Luftbefeuchters nicht reduziert werden kann, verwenden Sie den Luftbefeuchter nur zeitweise. Lassen Sie saugfähige Materialien wie Teppiche, Vorhänge, Vorhänge oder Tischdecken nicht feucht werden.
- Ziehen Sie beim Befüllen und Reinigen den Stecker aus der Steckdose.
- Lassen Sie niemals Wasser im Tank, wenn das Gerät nicht verwendet wird.
- Entleeren und reinigen Sie den Luftbefeuchter vor der Lagerung. Reinigen Sie den Luftbefeuchter vor dem nächsten Gebrauch.
- Reinigen Sie das Innere des Wassertanks mit einem milden Reinigungsmittel und spülen Sie ihn mit klarem Wasser aus.

Warnung: Mikroorganismen, die möglicherweise im Wasser oder in der Umgebung, in der das Gerät verwendet wird, vorhanden sind, können im Wassertank wachsen und in die Luft geblasen werden. Dies kann zu gesundheitlichen Risiken führen, wenn das Wasser nicht gewechselt wird und der Tank nicht alle 3 Tage ordnungsgemäß gereinigt wird.



Betrieb mit Clean Air Optima[®] App

Konnektivität

Kompatibilität mit Smartphone und Tablet:

iPhone, iPad und Android-Geräte

Das Gerät verbindet sich über WLAN mit der App:

CleanAirOptima

Achtung: Der Router muss auf das 2,4-GHz-Breitband eingestellt sein. Wenn der Router auf 5,0 GHz eingestellt ist, kann keine Verbindung hergestellt werden.

WLAN-Verbindung einrichten

1. Laden Sie die App „CleanAirOptima“ im App Store oder Google Play Store herunter und installieren Sie sie.
2. Erstellen Sie ein Konto und melden Sie sich an.
3. Der Router muss auf das 2,4-GHz-Breitband eingestellt sein. Wenn der Router auf 5,0 GHz eingestellt ist, kann keine Verbindung hergestellt werden.
4. Stellen Sie sicher, dass Bluetooth auf Ihrem Smartphone aktiviert ist.
5. Stecken Sie den Stecker des Geräts in die Steckdose und schalten Sie das Gerät ein. Die WLAN-Kontrollleuchte blinkt. Wenn die WLAN-Leuchte nicht blinkt, drücken Sie die „MODE/ WLAN“-Taste 5 Sekunden lang. Dann blinkt die WLAN-Leuchte schnell. Wenn die WLAN-Leuchte schnell blinkt, ist das Gerät verbindungsbereit.
6. Stellen Sie sicher, dass Ihr Smartphone oder Tablet mit Ihrem WLAN-Netzwerk verbunden ist.
7. Öffnen Sie die App „CleanAirOptima“ und klicken Sie auf „Gerät hinzufügen“ . Ihr Gerät wird aufgelistet und Sie können es auswählen. Wenn nicht, wählen Sie „Automatische Suche“. Befolgen Sie die Anweisungen auf dem Bildschirm, um das Gerät mit Ihrem Netzwerk zu verbinden.
8. Fügen Sie das Clean Air Optima[®]-Gerät zur App hinzu und folgen Sie den Anweisungen in der App.
9. Wenn das Gerät verbunden ist, leuchtet die WLAN-Anzeige  dauerhaft.
10. Nach erfolgreicher Konfiguration können Sie die Clean Air Optima[®] App verwenden, um das Gerät zu bedienen.

Hinweis:

- Wenn sich Ihr Standardnetzwerk geändert hat, setzen Sie die WLAN-Verbindung zurück, indem Sie die Schritte 1 bis 10 des Kapitels „WLAN-Verbindung einrichten“ ausführen.
- Wenn Sie mehrere Geräte mit Ihrem Smartphone oder Tablet verbinden möchten, müssen Sie dies nacheinander tun.
- Stellen Sie sicher, dass der Abstand zwischen Ihrem Smartphone oder Tablet und dem Gerät weniger als fünf Meter beträgt und keine Hindernisse vorhanden sind. Stellen Sie außerdem sicher, dass Sie sich im selben Raum wie das Gerät befinden.

Setzen Sie die WiFi-Funktion zurück:

- Das Gerät muss angeschaltet sein.
- Setzen Sie das WLAN zurück, indem Sie die „MODE/ WLAN“-Taste fünf Sekunden lang gedrückt halten; die WLAN-Anzeige blinkt schnell.



Schalten Sie die WLAN-Funktion aus:

- Setzen Sie das WLAN zurück, indem Sie die „Mode“-Taste fünf Sekunden lang gedrückt halten; die WLAN-Anzeige blinkt schnell.
- Schalten Sie das WLAN aus, indem Sie die „Mode“-Taste weitere fünf Sekunden lang gedrückt halten und die WLAN-Anzeige erlischt.

Geräte mit mehreren Telefonen verbinden

Hinweis: Zuerst muss die andere Person die Clean Air Optima® App auf ihrem Telefon installieren und ein neues Konto erstellen.

Geben Sie das Gerät mit eingeschränktem Zugriff frei:

Sie können ein Gerät mit mehreren Personen teilen.

Diese Person hat dann Zugriff, kann aber nicht alle Einstellungen verwalten.

Beachten Sie die folgende Anleitung, um das Gerät mit mehreren Personen zu teilen:

1. Rufen Sie das entsprechende Gerät auf.
2. Gehen Sie auf den Stift oder die drei Punkte oben rechts.
3. Wählen Sie „Share device“.
4. Wählen Sie „Add sharing“.
5. Wählen Sie die Freigabemethode, z. B. per E-Mail, Whatsapp, SMS usw., und fahren Sie fort.
6. Das Gerät wird in der Clean Air Optima® App automatisch mit dem anderen Konto angezeigt.

Gemeinsames Gerät mit vollem Zugriff:

Sie können eine Person oder mehrere Personen zu Ihrer Hausverwaltung hinzufügen.

Diese Person erhält dann Zugriff auf alle Ihre bereits verknüpften Geräte und verfügt über alle Rechte und Berechtigungen. Sie werden immer der verantwortliche Administrator bleiben.

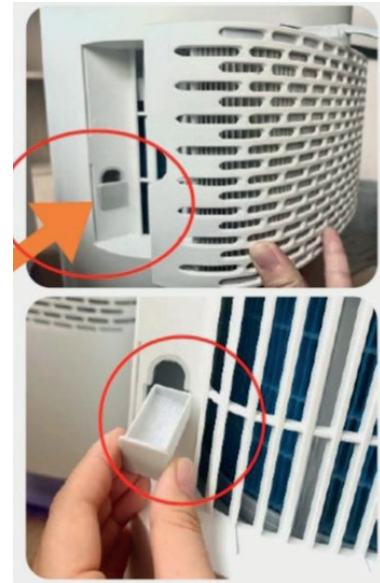
Beachten Sie die folgenden Schritte, um jemanden zu Ihrer Hausverwaltung hinzuzufügen:

1. Öffnen Sie die Clean Air Optima® App und gehen Sie auf „Me“.
2. Wählen Sie „Home Management“.
3. Wählen Sie „Create a home“.
4. Wählen Sie das entsprechende „Home“ und „Add member“.
5. Wählen Sie die Freigabemethode, z. B. per E-Mail, Whatsapp, SMS usw., und fahren Sie fort.
6. Das entsprechende „Home“ erscheint automatisch in der Clean Air Optima® App der Person, mit der Sie Ihr „Home“ geteilt haben.
7. Auf dem anderen Konto:
Rufen Sie den Startbildschirm der Clean Air Optima® App auf. Gehen Sie nach oben links und wählen Sie das entsprechende „Home“.

Aromatherapie

Aktivieren der Aromafunktion:

- Nehmen Sie die Aromaschale aus der Halterung.
- Geben Sie 5 - 10 Tropfen Clean Air Optima[®] ätherisches Öl auf den Schwamm.
- Setzen Sie die Aromaschale wieder in die Halterung ein.
- Wenn Sie Ihren Luftbefeuchter einschalten, wird die Aromafunktion aktiviert.
- Wenn Sie die Aromafunktion deaktivieren möchten oder das Gerät längere Zeit nicht benutzt wird, nehmen Sie den Aromaschwamm aus dem Fach und waschen Sie ihn mit etwas milder Seifenlauge aus. Lassen Sie ihn vollständig trocknen, bevor Sie ihn wieder in das Aromafach einsetzen. Grundsätzlich ist der Aromaschwamm wiederverwendbar.



Wichtig

Für optimale Ergebnisse mit Ihrem Luftbefeuchter empfehlen wir Ihnen, die folgenden Hinweise zur Verwendung von ätherischen Ölen im Luftbefeuchter CA-806 Smart/ CA-808 Smart sorgfältig zu beachten.

Verwendung von ätherischen Ölen im CA-806 Smart/ CA-808 Smart

Verwenden Sie unsere hochwertigen ätherischen Öle und genießen Sie Ihre persönliche Aromatherapie! Ein Dufterlebnis auf höchstem Niveau!

Hochwertige ätherische Öle mit vielen verschiedenen Düften finden Sie in unserem Sortiment. Sie passen perfekt zum Luftbefeuchter CA-806 Smart/ CA-808 Smart und wurden speziell für den Einsatz mit diesem Luftbefeuchter entwickelt:



Die **Ätherischen Öle** können Sie bestellen in unserem Online-Shop unter www.cleanairoptima.com

Warnung!

Andere ätherische Öle, die nicht für diesen Luftbefeuchter hergestellt wurden, oder anderer Zusatzstoffe (z.B. Duftstoffe und Wasserreinigungsprodukte) können den Luftbefeuchter beschädigen und dürfen **NICHT** verwendet werden! **Niemals andere reine ätherische Öle oder andere Zusatzstoffe in den Wassertank bzw. das Wasserbecken geben! Schon eine kleine Menge kann den Kunststoff beschädigen und Risse verursachen.**

Das Material ist nicht für die Verwendung von Zusatzstoffen bestimmt. Ein Tropfen genügt, um den Wassertank/das Wasserbecken zu beschädigen und das Gerät zu deaktivieren. Geräte, die durch Zusatzstoffe beschädigt werden, sind von der Garantie ausgeschlossen.

Reinigung und Wartung

Sie können selbst dazu beitragen, dass Ihr **Clean Air Optima[®] CA-806 Smart/ CA-808 Smart** Luftbefeuchter und Luftreiniger jahrelang einwandfrei funktioniert: Beachten Sie dazu einige einfache Wartungshinweise. Wenn Sie hartes Wasser haben, das zudem hohe Konzentrationen an Kalzium und anderen Mineralstoffen aufweist, kann sich im Laufe der Zeit ein weißer Niederschlag (Kalk) auf verschiedenen Flächen im Raum ablagern. Auch im Inneren des Wassertanks bildet sich ein weißer Belag (Kalkablagerung). Kalkablagerungen beeinträchtigen die einwandfreie Funktion des Luftbefeuchters und die effiziente hygienische Funktion des Geräts.

Wir empfehlen Folgendes:

1. Reinigen Sie den **Wassertank** einmal pro Woche mit **Clean Air Optima[®] Reiniger & Entkalker**, wenn Sie das Gerät täglich benutzen.
2. Gießen Sie das restliche Wasser aus dem Wassertank und füllen Sie ihn mit frischem Wasser, sobald der Wassertank nachgefüllt werden muss.
3. Reinigen Sie das gesamte Gerät und halten Sie alle Bauteile vollständig trocken, wenn das Gerät nicht verwendet wird.



Speziell entwickelt für **Clean Air Optima[®]**-Luftkühler, -Luftbefeuchter und -Luftentfeuchter:

- Nicht aggressiv
- Schützt Kunststoff- und Keramikmaterialien des Luftkühlers, Luftbefeuchters und Luftentfeuchters- geruchsneutral
- reinigt & entkalkt schnell und gründlich
- biologisch abbaubar

Sie können den **Clean Air Optima[®] Reiniger & Entkalker** in unserem Online-Shop auf www.cleanairoptima.com bestellen.

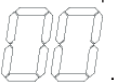
Störungssuche



Im Folgenden finden Sie eine Anleitung zur Störungssuche. Sie hilft Ihnen, Probleme zu lösen, die bei Verwendung des **Clean Air Optima[®] Luftbefeuchter und Luftreiniger CA-806 Smart/ CA-808 Smart** auftreten können.

Problem	Mögliche Ursache	Lösung
Kein Nebel verteilt.	Netzstecker nicht eingesteckt. Taste ON / OFF nicht betätigt. Den Wassertank leeren. Nicht genug Wasser im Tank.	Netzstecker des Geräts einstecken. Die Taste ON / OFF drücken. Den Tank mit Wasser füllen. Den Tank wieder mit Wasser füllen.
Der Nebel riecht sonderbar.	Ein neues Gerät. Entweder ist das Wasser schmutzig oder es stand zu lange still.	Den Wassertank herausnehmen, den Deckel abschrauben und 12 Stunden in einem kühlen Bereich auslüften lassen. Den Wassertank reinigen und mit sauberem Wasser neu füllen.
Die Sprühnebelmenge ist zu gering.	Zu viel Mineralienablagerungen im Wasserbecken und auf dem Transduktor. Wasser ist zu schmutzig oder Wasser wurde zu lange im Tank gehalten.	Den Wasserbecken reinigen und den Transduktor reinigen mit: Clean Air Optima[®] Reiniger & Entkalker. Den Wassertank reinigen und mit sauberem Wasser neu füllen.
Gerät ist laut.	Wassertank nicht richtig positioniert. Nicht genug Wasser im Wassertank. Gerät steht auf einer instabilen Oberfläche.	Positionieren Sie den Wassertank richtig auf dem Unterteil. Den Wassertank wieder mit Wasser füllen. Stellen Sie das Gerät auf einen festen und ebenen Untergrund.
Sprühnebel kommt aus dem Bereich um die Nebeldüse.	Zwischen dem Gehäuse um die Düse und der Oberseite des Wassertanks befinden sich Spalten.	Die Düse an der Oberseite des Wassertank abnehmen und sie mit einem feuchten Tuch reinigen. Wieder am Wassertank anbringen.
Der Betrieb mit der Clean Air Optima[®]-App funktioniert nicht.	Das Smartphone oder Tablet ist nicht mit dem WLAN-Netzwerk verbunden. Das Gerät hat keine Verbindung zu dem Netzwerk.	Schalten Sie das Gerät an und setzen Sie das WLAN auf dem Gerät zurück, indem Sie die Manuell-Taste 5 Sekunden lang drücken; die WLAN-Anzeige blinkt. Führen Sie dann die Schritte 3 bis 10 aus dem Kapitel „Betrieb mit der Clean Air Optima[®]-App“ durch.

Störungssuche

Im Folgenden finden Sie eine Anleitung zur Störungssuche. Sie hilft Ihnen, Probleme zu lösen, die bei Verwendung des **Clean Air Optima[®] Luftbefeuchter und Luftreiniger CA-806 Smart/ CA-808 Smart** auftreten können.

Problem	Mögliche Ursache	Lösung
Das Display zeigt eine doppelte Null an 	Die Filter müssen ausgetauscht werden.	Setzen Sie den Filtertimer zurück, indem Sie die MODE-Taste etwa 3 Sekunden lang gedrückt halten. Wenn die Kontrollleuchte erlischt, wurde der Timer erfolgreich zurückgesetzt.
Das Display zeigt 72H Stunden an.	Das Gerät ist seit 72 Stunden in Betrieb und muss gereinigt werden. Reinigen Sie den Wassertank. Halten Sie die „Heat/Clean“-Taste gedrückt. Das Gerät verlässt den Feuchtigkeitsmodus und wechselt in den Reinigungsmodus.	Halten Sie die Einschalttaste 3 Sekunden lang gedrückt, um den Timer zurückzusetzen.

Symbole	Bedeutung
	Dieses Symbol bedeutet, dass der Filter vor Inbetriebnahme des Gerätes kontrolliert und gegebenenfalls gereinigt werden muss. Ersetzen Sie den Filter alle 2 bis 3 Monate.
	Dieses Symbol bedeutet, dass der Wassertank alle 3 Tage gereinigt werden sollte. Wechseln Sie das Wasser im Wassertank alle 3 Tage. Ziehen Sie den Stecker aus der Steckdose, bevor Sie mit der Reinigung beginnen.

Wenn Ihr Wasser sehr hart ist (mit einem ungewöhnlich hohen Gehalt an Mineralien), kann der Befeuchter weißen Staub produzieren. Dies ist keine Fehlfunktion. Die Lösung ist, den Wasserfilter häufiger auszutauschen oder weiches Wasser (z.B. destilliertes Wasser) zu verwenden.

WARNUNG!

Wenn die oben empfohlenen Lösungen nicht funktionieren: Wenden Sie sich bitte an den technischen Kundendienst von Clean Air Optima unter der Telefonnummer Ihrer Region. Nicht versuchen, das Gerät zu zerlegen, wieder zusammenzubauen oder zu reparieren, da andernfalls die Garantie erlöschen kann.

Technische Daten CA-806 Smart

Modell	CA-806 Smart
Für Räume bis	60 m ² / 150 m ³ / 645 ft ²
Nennspannung	100 - 240 V, 50/60 Hz
Nennleistung	30 W - max. 230W
Kapazität Luftbefeuchtung	Min. 250 ml/h - max. 800 ml/h
Lüfterleistung (CADR)	220 m ³ /h
Aktiver Sauerstoff	<0,05 ppm
Schallpegel	Leiser Lüfter < 25 dB(A)
Maße	260 x 260 x 508 mm
Gewicht	5,0 kg
Wassertank	8,0 l
Farbe	Weiß mit Wassertank aus Rauchglas

Technische Daten CA-808 Smart

Modell	CA-808 Smart
Für Räume bis	80 m ² / 200 m ³ / 856 ft ²
Nennspannung	100 - 240 V, 50/60 Hz
Nennleistung	30 W - max. 230W
Kapazität Luftbefeuchtung	Min. 300 ml/h - max. 1000 ml/h
Lüfterleistung (CADR)	220 m ³ /h
Aktiver Sauerstoff	<0,05 ppm
Schallpegel	Leiser Lüfter < 25 dB(A)
Maße	260 x 260 x 508 mm
Gewicht	5,0 kg
Wassertank	8,0 l
Farbe	Weiß mit Wassertank aus Rauchglas

Entspricht den EU-Vorschriften CE / EEAG / RoHS

Fragen Sie Ihren Händler oder Ihre Kommunalverwaltung nach aktuellen Informationen über die Entsorgung der Verpackung und des Geräts.



Service

Garantiezertifikat für den Clean Air Optima[®] Luftbefeuchter und Luftreiniger CA-806 Smart/ CA-808 Smart.

Kaufdatum:
Name des Kunden:
Adresse:
Telefon:
E-Mail:
Name des Verkäufers:
Adresse:

1. Bitte füllen Sie dieses Garantiezertifikat vollständig aus. Senden Sie es mit der Rechnung und dem Gerät, Porto im Voraus bezahlt und in der Originalverpackung an Ihren Händler. Fügen Sie ausreichendes Rückporto für das Paket bei.

2. Bitte fügen Sie eine kurze Beschreibung des Schadens, der Störung oder des Fehlers und der Umstände bei, unter denen diese Probleme aufgetreten sind.

Der **Clean Air Optima[®] Luftbefeuchter und Luftreiniger CA-806 Smart/ CA-808 Smart** durchläuft vor Verlassen des Werks strenge Prüfverfahren. Wenn das Produkt innerhalb von 2 Jahren ab Kaufdatum nicht den Spezifikationen entspricht, hat der Käufer aufgrund von Fertigungsmängeln das Recht auf kostenlose Reparatur oder Ersatz von Teilen gegen Vorlage dieser Garantie (vorausgesetzt, dass die Fehlfunktion oder Beschädigung des Geräts und/oder der Teile unter normalen Betriebsbedingungen aufgetreten ist). Die Garantie gilt: Für alle in Material und Verarbeitung fehlerhaften Teile. Wie lange: zwei Jahre ab Kaufdatum. Das werden wir tun: Fehlerhafte Teile reparieren oder ersetzen.

Sonstige Bedingungen

Die Bestimmungen dieser Garantie ersetzen alle anderen schriftlichen Garantien, ob ausdrücklich oder stillschweigend, schriftlich oder mündlich, einschließlich der Garantie der Marktgängigkeit oder Eignung für einen bestimmten Zweck. Die maximale Haftung des Herstellers überschreitet nicht den tatsächlichen Kaufpreis, den Sie für das Produkt gezahlt haben. In keinem Fall haftet der Hersteller für besondere, zufällige, Folge- oder indirekte Schäden. Diese Garantie erstreckt sich nicht auf einen Mangel, der nach unserem alleinigen Ermessen auf unsachgemäße oder unangemessene Verwendung oder Wartung, fehlerhafte Montage, Unfall oder Naturkatastrophen, unsachgemäße Verpackung oder unbefugte Manipulationen, Änderungen oder Modifikationen zurückzuführen ist. Diese Garantie erlischt, wenn der Aufkleber mit der Seriennummer entfernt oder entstellt wurde.

Niemals andere reine ätherische Öle oder andere Zusatzstoffe in den Wassertank bzw. das Wasserbecken geben! Schon eine geringe Menge kann den Kunststoff beschädigen und Risse verursachen.

Vielen Dank für das Lesen!



Äußern Sie Ihre Meinung über den Clean Air Optima®
Luftbefeuchter and Luftreiniger CA-806 Smart/ CA-808 Smart unter:
www.cleanairoptima.com



Für häufig gestellte Fragen zum CA-806 Smart/ CA-808 Smart besuchen
Sie bitte:
www.cleanairoptima.com und suchen Sie nach „CA-806 Smart/ CA-808
Smart“.



Download der PDF-Gebrauchsanleitung unter:
www.cleanairoptima.com/info/manuals



Alle Produktanimationsvideos
zum Clean Air Optima® auf:
www.youtube.com

Clean Air Optima International B.V. | Rientjesoven 26 | 7621 HG Borne
Niederlande | Telefon: +31 (0) 74 - 2670145

Clean Air Optima Germany GmbH | Enschedestraße 14 | 48529 Nordhorn
Deutschland | Telefon: +49 (0) 5921 879-121

E-Mail: info@cleanairoptima.com

Internet: www.cleanairoptima.com

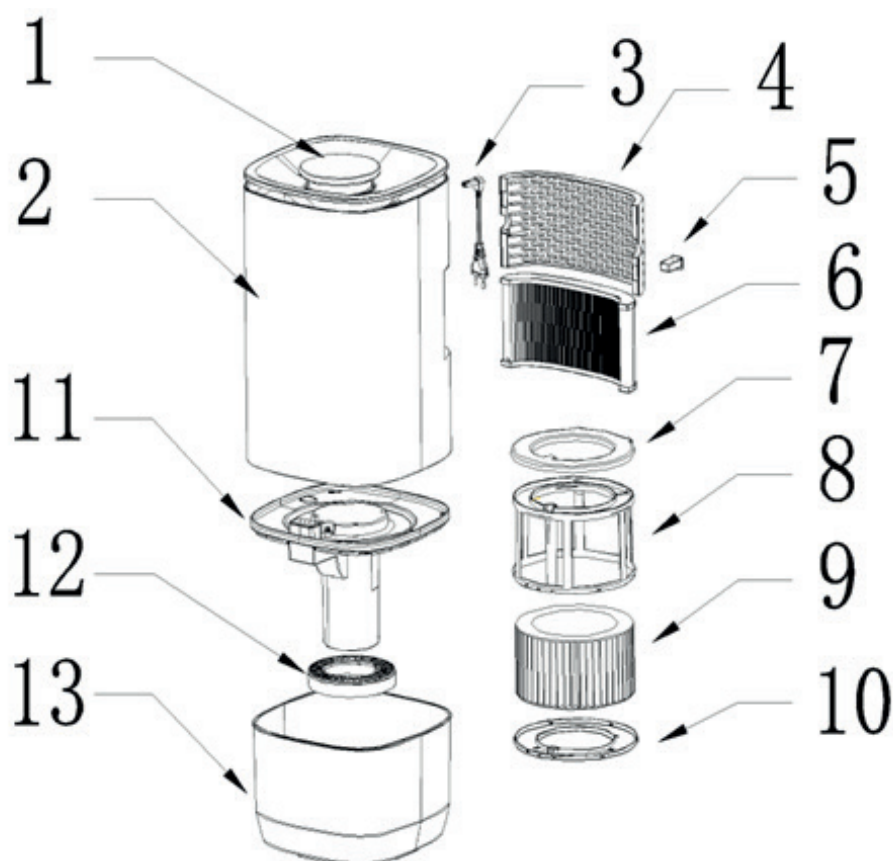
Nederlands

Bedankt voor de aanschaf van de Clean Air Optima[®] luchtbevochtiger en luchtreiniger CA-806 Smart/ CA-808 Smart.

Wij wensen u vele jaren gezonde binnenlucht toe met dit efficiënte en doeltreffende product.

Deze instructies beschrijven de veiligheidsvoorschriften die tijdens het gebruik moeten worden nageleefd. Ze zijn bedoeld om verwondingen en schade aan het apparaat te voorkomen.

CA-806 Smart/ CA-808 Smart Hoofdeenheid



Beschrijving van het apparaat

Het apparaat bestaat uit de volgende hoofdonderdelen:

- | | |
|----------------------------|----------------------------------|
| 1. Behuizing display | 8. Waterfilter beugel |
| 2. Behuizing | 9. Waterfilter |
| 3. Netsnoer | 10. Waterfilter beugel onderkant |
| 4. Luchtinlaatrooster | 11. Waterpomp installatie |
| 5. Aromabox | 12. Harsfilter |
| 6. HEPA-filter | 13. Watertank |
| 7. Waterfilterhouder boven | |

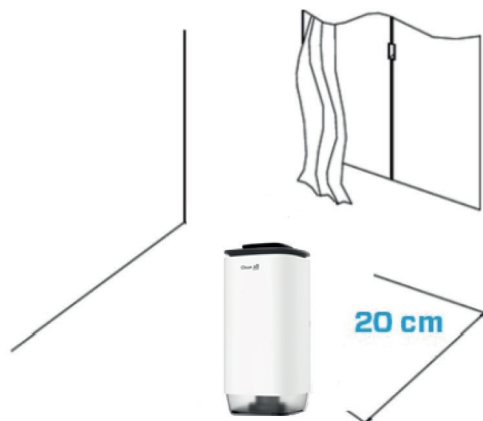
Veiligheidswaarschuwingen

Dit apparaat mag alleen worden gebruikt in overeenstemming met deze veiligheidsinstructies. Neem de volgende stappen om het risico op verwondingen door bijvoorbeeld elektrische schokken of brand tot een minimum te beperken.

1. Alleen voor gebruik binnenshuis. Niet buiten gebruiken of opslaan.
2. Gebruik de juiste spanning: 220-240 V, 50/60 Hz
3. Het apparaat kan worden gebruikt door kinderen vanaf 8 jaar en door personen met beperkte lichamelijke, zintuiglijke of geestelijke mogelijkheden of een gebrek aan ervaring en kennis indien zij onder toezicht staan of instructies hebben gekregen voor het veilige gebruik van het apparaat en de gevaren ervan begrijpen. Kinderen mogen niet met het apparaat spelen. Schoonmaak- en gebruikersonderhoud mag NIET worden uitgevoerd door kinderen zonder toezicht.
4. U moet het apparaat uitschakelen voordat u water toevoegt.
5. Zorg ervoor dat het apparaat altijd met een gevulde watertank werkt.
6. Laat geen water in de watertank staan wanneer het apparaat niet in gebruik is.
7. Waarschuwing: In de omgeving waar het apparaat wordt gebruikt of bewaard, kunnen micro-organismen in het water voorkomen. Als het water niet regelmatig wordt ververs of als de tank niet elke 3 dagen wordt schoongemaakt, kunnen deze microben in de tank groeien en in de lucht verdampen, wat ernstige gezondheidsproblemen kan veroorzaken.
8. Ververs het water elke 3 dagen.
9. Het is ten strengste verboden om de luchtinlaat en -uitlaat met iets af te dekken wanneer de machine in werking is.
10. Zet het apparaat op een stabiele, horizontale plaats neer om dit veilig te gebruiken. Verplaats het apparaat niet tijdens het gebruik.
11. Om storingen en schade aan andere elektronische apparaten te voorkomen, moet dit apparaat op minimaal 1 meter afstand van een computer, televisie, radio of andere elektronische apparatuur neergezet worden.
12. Gebruik het apparaat niet als er zichtbare schade is aan het netsnoer of het apparaat zelf. Repareer in geval van schade het apparaat niet zelf. Trek nooit aan het snoer van het apparaat. Als het netsnoer beschadigd is, moet het worden vervangen door erkend servicepersoneel om elektrische schokken of brand te voorkomen.
13. Herstellingen mogen alleen worden uitgevoerd door erkend servicepersoneel. Probeer het apparaat niet zelf te repareren, om elektrische schokken of brand te voorkomen.
14. Verwijder de stekker altijd uit het stopcontact wanneer het apparaat niet wordt gebruikt of wanneer u interne of externe onderdelen van het apparaat reinigt.
15. Verwijder de watertank voordat u het apparaat verplaatst.
16. Gebruik alleen de meegeleverde netsnoeren.
17. Gebruik het apparaat niet op plaatsen waar ontvlambare vloeistoffen of gassen worden bewaard, in de buurt van warmtebronnen of op bijzonder vochtige plaatsen zoals de badkamer, douche of het zwembad.
18. Breng geen vreemde voorwerpen aan in het apparaat om storingen te voorkomen.
19. Demonteer of vervang nooit de binnenste delen van het apparaat.
20. Zet het apparaat niet in direct zonlicht. Zo voorkomt u dat het apparaat verkleurt.
21. Dompel het apparaat nooit onder in water of andere vloeistoffen.
22. Raak het netsnoer niet met natte handen aan.
23. Reinig en droog het apparaat vóór opslag (verwijder eveneens alle water uit de binnenkant van het apparaat). Bewaar het apparaat buiten het bereik van kinderen op een koele en droge plaats.
24. Reinig de watertank niet wanneer het water nog warm is.
25. Gebruik, onderhoud en reinig het apparaat zoals beschreven in deze handleiding.

Installatie

Zorg dat de afstand van het apparaat tot muren en meubilair 20 cm bedraagt, zie onderstaande illustratie.



Verwijder de beschermfolie van het display.



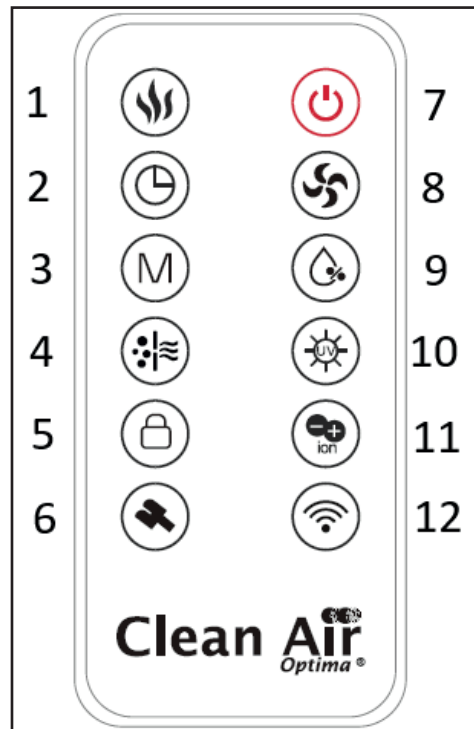
Verwijder eerst de beschermfolie van de filters.



Afstandsbediening

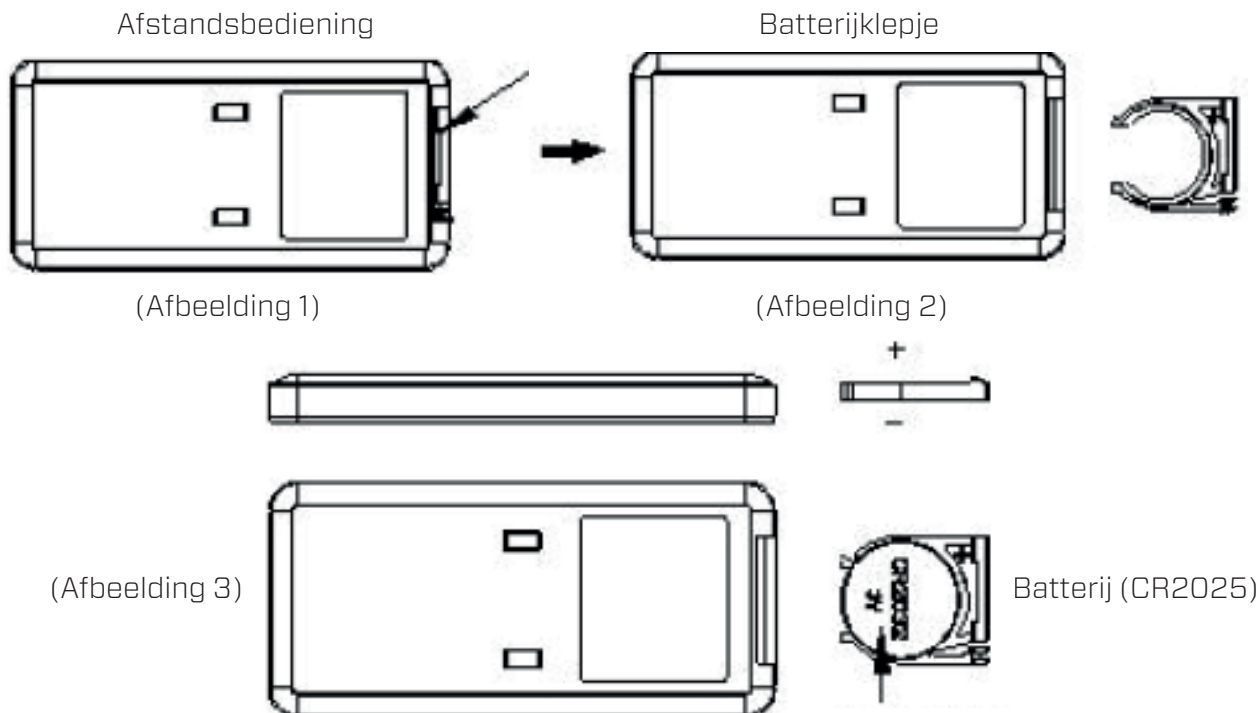
De knoppen op uw afstandsbediening:

1. Verwarmen/ Reinigen
2. Timer
3. Modus
4. Luchtreiniging
5. Kinderbeveiliging
6. Reinigingsmodus
7. AAN / UIT
8. Nevelniveau
9. Luchtvochtigheid
10. UV
11. Negatieve Ionen
12. WIFI



Afstandsbediening

1. Open het batterijklepje aan de achterkant van de afstandsbediening om de batterij te plaatsen. (zie afbeelding 1).
2. Om de batterij te plaatsen: aan de onderkant van de afstandsbediening bevindt zich een 'beveiligingslipje' dat u eerst naar rechts moet schuiven. Trek vervolgens de batterijhouder eruit. (zie afbeelding 2). Plaats de batterij met de juiste polariteit. (zie afbeelding 3).
3. Duw het batterijklepje terug in de afstandsbediening.



Gebruiksaanwijzing

Haal de Clean Air Optima[®] CA-806 Smart/ CA-808 Smart uit de doos voordat u begint en laat het apparaat gedurende minstens 30 minuten aan de kamertemperatuur wennen, vooral wanneer het apparaat koud is vanwege de buitenlucht. Zet het apparaat op een stevige, vlakke en waterongevoelige ondergrond, minstens 20 cm van de muur.

De CA-806 Smart & CA-808 Smart Smart is ontworpen om te werken bij temperaturen tussen 5 en 40 °C en een relatieve luchtvochtigheid van minder dan 85%.

Om te beginnen, til je de behuizing op; de behuizing zit los op de watertank. Verwijder het waterfilter uit de waterpompbehuizing. Verwijder de waterpompbehuizing van de watertank. Nu kun je de watertank vullen tot de maximumstreep op de watertank of je kunt ervoor kiezen om minder water in de watertank te doen.

Til de behuizing op



Deksel en filter van de watertank



Kraan voor het vullen



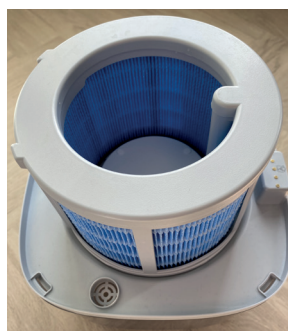
Houd vervolgens de watertank onder de kraan om deze te vullen. Vul de tank met leidingwater (of een andere schone waterbron met een watertemperatuur van minder dan 40 °C). Plaats het deksel en filter weer terug.

Top filling: De watertank kan ook worden bijgevuld met een gieter direct vanaf de bovenkant van de luchtbevochtiger.

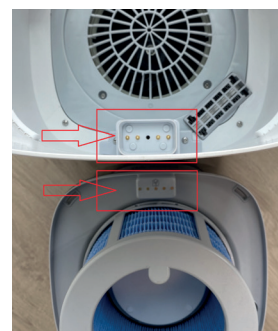
Top filling



Afbeelding 1.



Afbeelding 2.



Plaats de watertank en de filters terug (Afbeelding 1). Plaats de behuizing boven op de watertank en schuif het over het filter zodat de contactpunten tegen elkaar liggen (Afbeelding 2.).

Steek de stekker in een geschikt stopcontact. Er klinkt een signaal om aan te geven dat uw apparaat in stand-bymodus staat. Wanneer de luchtbevochtiger wordt in/uitgeschakeld, worden de luchtvochtigheidswaarden weergegeven.

Aan/uit-knop:

Druk op de aan/uit-knop in de stand-by modus om de luchtbevochtiger te activeren:

- Wanneer er water in de watertank zit, klinkt er een pieptoon en gaat het apparaat in de werkmodus: De initiële opstartmodus van het apparaat: het apparaat werkt op snelheid 3, het UV-pictogram licht op en de waterpomp begint te werken.
- Druk op deze knop in de werkmodus: het apparaat gaat in de luchtdroogmodus en gaat na het luchtdrogen in de stand-bymodus. Het apparaat is in de werkmodus (behalve wanneer de kinderbeveiliging is ingeschakeld). Druk op de aan/uit-knop om het luchtdroogprogramma te openen.

Het luchtdroogproces werkt als volgt:

- Het apparaat werkt op snelheid 4, het pictogram 'PTC-verwarming aan' licht op en de andere pictogrammen op het digitale scherm zijn uitgeschakeld. Het apparaat schakelt uit na 50 minuten luchtdroogprogramma en gaat in de stand-bymodus. (Opmerking: De verwarmingsfunctie wordt na 45 minuten van het luchtdroogprogramma automatisch uitgeschakeld).
- Druk tijdens het luchtdroogproces op de aan/uitknop. Het apparaat verlaat de luchtdroogmodus en gaat in de stand-bymodus.



UV-knop/ Negatieve ionen-knop:

Het apparaat start met de UV-lamp aan. Druk nogmaals op de knop om de UV-lamp uit te schakelen. Om de ionisator aan te zetten moet u 3 seconden de knop ingedrukt houden. Druk nogmaals 3 seconden om de ionisator uit te schakelen.

De UV-sterilisatiefunctie doodt de bacteriën in de uitgaande nevel voordat de nevel de kamer in komt.

Door op de '**negatieve ion**'-knop te drukken, wordt de ionisator geactiveerd met een totale capaciteit van > 3.000.000 negatieve ionen/cm³ die zich door de hele ruimte verspreiden en daardoor vervuilende stoffen en geuren neutraliseren. Negatieve ionen hechten zich aan stofdeeltjes, micro-organismen en andere ongewenste deeltjes in de lucht en verbinden deze met elkaar. Op deze manier worden de deeltjes zwaarder dan lucht waardoor ze op de grond vallen zodat je ze niet meer kunt inademen.

Negatieve ionen komen het meest voor in het bos, de bergen en bij de zee. Negatieve ionen zorgen voor frisse en gezonde lucht.



Luchtvochtigheidsknop:

Door op de **luchtvochtigheidsknop** te drukken, kunt u de gewenste luchtvochtigheidsgraad selecteren door herhaaldelijk op deze knop te drukken totdat de gewenste luchtvochtigheidsgraad wordt weergegeven (van 30% tot 80% in stappen van 5%). Zodra u de gewenste luchtvochtigheidsgraad hebt geselecteerd, stopt u gewoon met het indrukken van de knop en wordt uw luchtvochtigheidsgraad ingesteld.

Na het instellen knippert het display één keer per seconde en vervolgens drie keer continu om de huidige ingestelde waarde weer te geven. Na het knipperen wordt de huidige luchtvochtigheid weergegeven, met een weergavebereik van 20-90% relatieve luchtvochtigheid.

De snelheid wordt niet beïnvloed gedurende de eerste 2 minuten nadat het apparaat in de modus voor constante vochtigheid is gegaan. Na 2 minuten werkt de ventilator volgens het volgende schema:

1. Wanneer de luchtvochtigheid de ingestelde luchtvochtigheid bereikt of overschrijdt, stopt het apparaat met bevochtigen en werkt de ventilator op snelheid 1;
2. Wanneer de werkelijke luchtvochtigheid lager is dan de ingestelde luchtvochtigheid (2%), blijft het apparaat bevochtigen op snelheid 2;
3. Wanneer de werkelijke luchtvochtigheid lager is dan de ingestelde luchtvochtigheid (4%), blijft het apparaat bevochtigen op snelheid 3;
4. Wanneer de werkelijke luchtvochtigheid lager is dan de ingestelde luchtvochtigheid (6%), blijft het apparaat bevochtigen op snelheid 4;

Opmerking: Als de snelheid wordt gewijzigd tijdens de modus voor constante vochtigheid, draait het apparaat 2 minuten op de ingestelde snelheid en herhaalt de bovenstaande procedure na 2 minuten.

Druk op de knop “Vochtigheid”. Het apparaat geeft de huidige ingestelde vochtigheidswaarde weer. Druk vervolgens nogmaals op de knop “Vochtigheid” om de vochtigheidswaarde dienovereenkomstig aan te passen.



Modusknop/ WIFI-knop:

Wanneer u voor de eerste keer op de modusknop drukt, licht het pictogram “Automatische modus” op en knippert het vervolgens drie keer voordat de automatische modus wordt geactiveerd. Als u binnen drie seconden nogmaals op de modusknop drukt, gaat het apparaat in de gezondheidsmodus. Het pictogram “Gezondheidsmodus” knippert vervolgens drie keer voordat de gezondheidsmodus wordt geactiveerd. Enzovoort.

De rotatievolgorde van de modusknoppen is als volgt: automatische modus -> gezondheidsmodus -> slaapstand -> geen instellingen -> automatische modus.

Automatische modus:

Na het inschakelen van de automatische modus wordt de luchtvochtigheid ingesteld op 68% en wordt het nevelvolume gedurende 5 minuten gedwongen bevochtigd op niveau 4. Na 5 minuten wordt het nevelvolume aangepast aan de volgende vereisten:

Wanneer de luchtvochtigheid lager is dan 60%, werkt het nevelvolume op niveau 4;
wanneer de luchtvochtigheid tussen 60% en 63% ligt, werkt het nevelvolume op niveau 3;
wanneer de luchtvochtigheid tussen 64% en 68% ligt, werkt het nevelvolume op niveau 2;
wanneer de luchtvochtigheid hoger is dan 68%, werkt het op niveau 1.

Gezondheidsmodus:

Druk een tweede keer op de modusknop. Het pictogram “Gezonde modus” knippert drie keer per seconde en activeert vervolgens de Gezonde modus.

Na het activeren van de Gezonde modus licht het pictogram “Gezonde modus” op het digitale toetsenbord op; de negatieve ionen en het uv-licht gaan aan en het apparaat werkt op niveau 3.

Na het activeren van de Gezonde modus detecteert het apparaat automatisch de optimale luchtvochtigheid op basis van de omgevingstemperatuur en verhoogt de luchtvochtigheidsinstelling met 5% op basis van de gedetecteerde waarde. Als de gedetecteerde waarde bijvoorbeeld 45% is, wordt de ingestelde luchtvochtigheid 50%, enzovoort.

Wanneer het apparaat de ingestelde luchtvochtigheid bereikt of overschrijdt, werkt de ventilator op niveau 1. Wanneer de luchtvochtigheid onder de ingestelde luchtvochtigheid van “2%” zakt, keert het apparaat terug naar niveau 3.

Slaapmodus:

Druk een derde keer op de modusknop. Het pictogram ‘Slaapmodus’ knippert drie keer per seconde en de slaapmodus wordt geactiveerd:

1. De functies die waren ingeschakeld voordat het apparaat in de slaapmodus ging (inclusief UV, timing en negatieve ionen) worden niet beïnvloed door de slaapmodus.
2. Na 10 seconden, wanneer het apparaat in de slaapmodus gaat, gaat het display uit (behalve het pictogram ‘Slaapmodus’) en werkt het apparaat op 75% van de snelheid van nevelniveau 1.

Wanneer het apparaat detecteert dat de watertank leeg is tijdens de slaapmodus, blijft het pictogram ‘Watertekort’ branden, klinkt er geen zoemer en gaat het apparaat in de stand-bymodus.

Wifi-verbinding:

Houd de knop ‘Modus/Wifi’ 3 seconden ingedrukt. Het apparaat gaat naar de wifi-koppelingsstatus en het wifi-pictogram blijft knipperen totdat het apparaat succesvol is gekoppeld. Houd de knop “Modus/Wi-Fi” nogmaals 3 seconden ingedrukt. De zoemer klinkt één keer, het apparaat verlaat de wifi-koppeling en het wifi-pictogram dooft.



Verwarmingsknop/ Reinigingsmodus:

Door op de knop “Verwarmen” te drukken, activeert u de verwarmingsfunctie. Verwarmen zorgt ervoor dat het waterfilter snel en effectief droogt.

Het apparaat werkt op stand 4 nadat de verwarmingsfunctie is ingeschakeld. U kunt de snelheid niet aanpassen; als u dit wel doet, wordt de verwarmingsfunctie uitgeschakeld.

Druk nogmaals op de knop “Verwarmen/Reinigen” om deze functie uit te schakelen.

Houd de knop “Verwarmen/Reinigen” ingedrukt. Het apparaat verlaat de modus “Verwarmen/Reinigen” en gaat naar de reinigingsmodus .



Knop voor nevelniveau:

Het apparaat blijft continu bevochtigen en de luchtvochtigheid kan niet ingesteld worden. De initiële werkstand van het apparaat is niveau 3.

Het apparaat heeft 4 niveaus. Druk telkens op de knop om een niveau op de schaal te bereiken. De volgorde van het nevelniveau is: 3-> 4-> 1-> 2-> 3-> 4-> 1-> 2-> 3... enzovoort.

De waterpomp draait de eerste 2 minuten continu;

Na 2 minuten stopt de waterpomp 3 minuten en draait dan 15 seconden; stopt dan 3 minuten en draait dan weer 15 seconden, enzovoort.



Knop voor luchtreiniging/ kinderbeveiliging:

Druk op de knop “Luchtreiniging/ Kinderslot” om de luchtreinigingsmodus te starten. De waterpomp schakelt uit en het apparaat stopt met het weergeven van de luchtvochtigheid. Het PM2.5-icoontje licht op om de huidige luchtkwaliteit aan te geven. Druk nogmaals om terug te keren naar de bevochtigingsmodus.

Houd de knop “Luchtreiniging/ Kinderslot” 3 seconden ingedrukt; het kinderslot-aan-icoontje van het apparaat licht op. Houd de knop “Luchtreiniging/ Kinderslot” nog eens 3 seconden ingedrukt; het kinderslot-uit-icoontje van het apparaat gaat uit.



Timerknop:

Door op de **timerknop** te drukken, wordt de timer ingesteld. De timerfunctie bepaalt hoeveel uur de luchtbevochtiger zal werken. U kunt de timer eenvoudig instellen door er één keer op te drukken voor elk uur dat u het apparaat wilt gebruiken. De timer kan worden ingesteld van 1 tot 12 uur. Naarmate de tijd verstrijkt, neemt de tijdswaarde af tot 00:00 uur en schakelt het apparaat uit.

Reiniging na 72 uur gebruik:

1. Wanneer het apparaat 72 uur in gebruik is geweest, verschijnt op het display “72 uur” en blijft het knipperen totdat de reinigingstijd opnieuw is ingesteld.
2. Houd de knop “Verwarmen/Reinigen” lang ingedrukt. Het apparaat verlaat de “Vochtigheidsmodus” en gaat naar de reinigingsmodus.
3. Reinig de watertank (advies).
4. Houd de aan-uitknop 2 seconden ingedrukt om de reinigingsmelding “72 uur” uit te schakelen. Op het display verschijnt “00 uur” en knippert 3 keer. Vervolgens wordt de luchtvochtigheid weergegeven.
5. Als het apparaat nog geen 72 uur in gebruik is geweest, kunt u de reinigingsmodus resetten door de aan-uitknop 2 seconden ingedrukt te houden om de apparaattijd terug te zetten naar 0 en deze opnieuw te berekenen. Het pictogram “vochtigheid” toont “00 uur” en knippert 3 keer. De normale weergavestatus wordt hersteld.

Wanneer de slaapstand is ingeschakeld, wordt er geen reinigingsprompt weergegeven. Bij het verlaten van de slaapstand wordt er wel een reinigingsprompt weergegeven.

Vochtigheidsweergave:

Wanneer de luchtvochtigheid lager is dan 45%, brandt het lampje van de watertank oranje; wanneer de luchtvochtigheid tussen 45% en 60% ligt, brandt het lampje blauw; wanneer de luchtvochtigheid hoger is dan 60%, brandt het lampje wit. De gemiddelde waarde wordt gebruikt als weergavewaarde.



Waarschuwing voor watertekort:

Nadat het apparaat detecteert dat de watertank leeg is, schakelt het over naar het verwarmings-droogstelsel en gaat het in de watertekortmodus. Bij watertekort knipperen het waterniveau-indicatielampje en het kleurrijke watertanklampje drie keer rood en piepen ze drie keer. Activeer vervolgens het “verwarmings- en droogstelsel en schakel na 30 minuten over naar de stand-bymodus.

Of druk op de aan-uitknop om het apparaat uit te schakelen en vul de watertank bij. Na het bijvullen van de watertank gaan het waterniveau-indicatielampje en het kleurrijke watertanklampje uit en schakelt het apparaat over naar de stand-bymodus.

Beschrijving waterniveau:

De watertankwaarden zijn: vol water, watertekort.

1. Laag waterniveau: Wanneer de waterpomp gedurende 10 seconden een aanhoudend watertekort detecteert, schakelt het apparaat over naar de status laag waterniveau.
2. Watertank vullen: Voeg water toe wanneer het apparaat wordt in- of uitgeschakeld. Wanneer de watertank vol is, knippert het digitale display 5 keer en klinkt de zoemer 5 keer. Op het display verschijnt FUL.

Zorg ervoor dat het waterreservoir altijd volledig gevuld is.

Reiniging en onderhoud

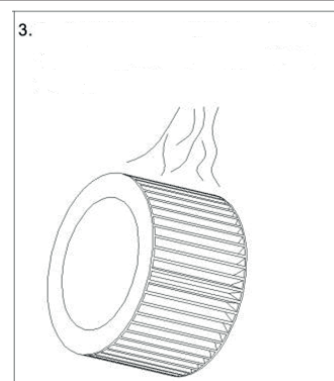
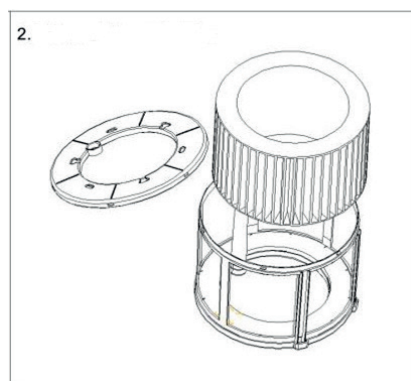
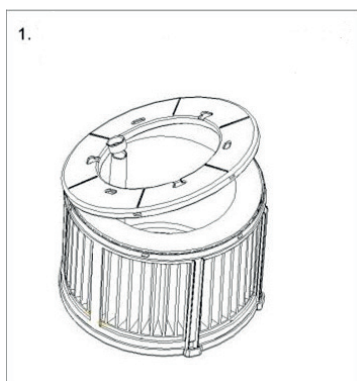
Het waterfilter reinigen

In sommige gebieden is de waterkwaliteit slecht. Na langdurig gebruik kan er kalkaanslag of stof op het oppervlak van het waterfilter ontstaan. U kunt het waterfilter demonteren en met schoon water afspoelen. Bij normaal gebruik is het raadzaam het waterfilter elke zes maanden te vervangen.

Verwijder het waterfilter uit het apparaat en demonteer de onderkant.

Verwijder het waterfilter.

Spoel eventueel vuil van het oppervlak van het waterfilter af met kraanwater en monteer het weer. Plaats het terug in het apparaat.



Het harsfilter reinigen

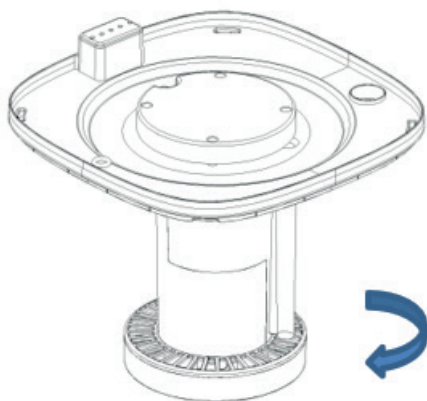
In sommige gebieden is de waterkwaliteit slecht. Na langdurig gebruik kan er kalkaanslag of stof ophopen op het harsfilteroppervlak. U kunt het harsfilter demonteren en met schoon water afspoelen. Bij normaal gebruik wordt aanbevolen het waterfilter elke zes maanden te vervangen.

Til het scheidingschot van het waterreservoir op, draai de waterontharder met de klok mee en trek de waterontharder er direct uit wanneer de gesp los zit (afbeelding 1, volgende pagina).

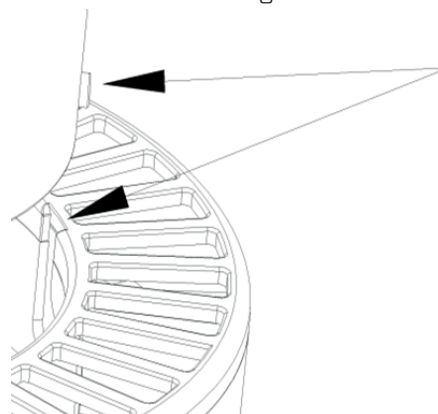
Spoel eventueel vuil van het harsfilteroppervlak af met kraanwater en monteer het weer.

De goot die met de pijl in de afbeelding is aangegeven, moet uitgelijnd zijn en erin worden geplaatst. Draai vervolgens de waterontharder tegen de klok in totdat u de gesp voelt (afbeelding 2).

Afbeelding 1.



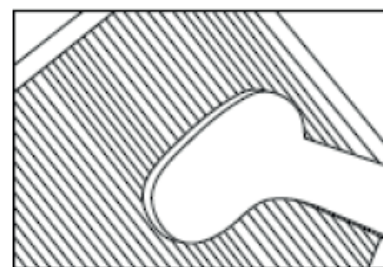
Afbeelding 2.



Het HEPA H13-filter reinigen

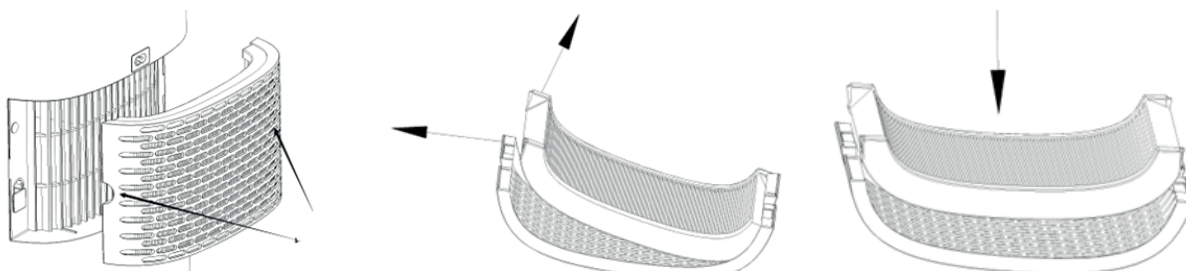
Het beste effect wordt bereikt door de filters één keer per maand te reinigen. Als de binnenlucht extreem vervuild is, kan meer reiniging nodig zijn.

Maak de **voorfilter** en de **HEPA-filter** schoon met een borstel of uw stofzuiger. Op die manier kunnen grotere stofdeeltjes zoals pluizen, haar en huidschilfers van huisdieren uit de filter worden verwijderd.



Waarschuwing! Maak de samengestelde filters (**HEPA + actieve-koolfilter**) nooit nat of spoel ze nooit uit met water.

Verwijder de filters uit het filterframecompartiment. Na het vervangen of reinigen van de filters moeten de filters weer in het filterframecompartiment worden geplaatst en op het apparaat worden aangebracht, zie onderstaande illustratie.



Tekenen die op versleten filters wijzen

Verhoogd geluid, verminderde luchtstroom, verstopte filters, toenemende aanwezigheid van geuren. De filter moet worden vervangen door een nieuwe wanneer de HEPA-filter van kleur verandert van wit naar grijs of zwart. Als de HEPA-filter wit blijft, hoeft de filter niet te worden vervangen.

Filters bestellen:

Neem contact op met de klantendienst van Clean Air Optima op het nummer + 31 (0) 742670145 of bezoek onze webshop: <https://www.cleanairoptima.com/-accessoires>

De buitenkant van de luchtreiniger schoonmaken

1. Schakel het apparaat uit en trek de stekker uit het stopcontact.
2. Gebruik een zachte en vochtige doek om het apparaat te reinigen van stof en vuil.
3. Zorg ervoor dat er **geen water** in het apparaat terecht komt.

Maak de contactpunten schoon.

Maak de contactpunten regelmatig schoon met een schone, droge doek.



Filters vervangen

De Clean Air Optima CA-806 Smart / CA-808 Smart is uitgerust met een filterlevensduurbewakingsmechanisme dat aangeeft dat de filters (HEPA H13, waterfilter, harsfilter en zilverion) na 1000 bedrijfsuren vervangen moeten worden. Om aan te geven dat

deze filters vervangen moeten worden, geeft het apparaat een dubbele nul  indicatie. Reset de timer voor de filters door de knop van het Nevelniveau  ongeveer 4 seconden ingedrukt te houden. Als het indicatielampje uitgaat, is de timer succesvol gereset.

Afhankelijk van het gebruik hebben de filters een levensduur van ongeveer 3 tot 6 maanden. De UV-C-lamp is permanent en hoeft niet vervangen te worden.

Haal de filters uit het filterframe. Plaats de filters na vervanging of reiniging terug in het filterframe en monteer ze weer in het apparaat. Zie het hoofdstuk 'Reiniging en onderhoud'.

Het plaatsen/vervangen van de Clean Air Optima[®] Zilver Ion SI-01

De **Zilver Ion SI-01** maakt gebruik van de antimicrobiële werking van zilver. Dit voorkomt de groei van bacteriën en geuren in het water. De **Zilver Ion SI-01** werkt zelfs wanneer uw luchtbevochtiger uitgeschakeld is zodat het water schoon blijft.

Vervang de **Zilver Ion SI-01** aan het begin van het luchtbevochtigingsseizoen of vervang de **Zilver Ion SI-01** na een jaar gebruik.

Het vervangen van de Zilver Ion SI-01:

Om te beginnen, til je de behuizing op; de behuizing zit los op de watertank. Verwijder het waterfilter uit de waterpompbehuizing. Verwijder de waterpompbehuizing van de watertank.

Til de behuizing op



Deksel en filter van de watertank



Zilver Ion SI-01



1. Haal de gebruikte **Zilver Ion SI-01** eruit.
2. Plaats de nieuwe **Zilver Ion SI-01**.

Gooi de **Zilver Ion SI-01** bij uw gewoon huishoudelijk afval.

De **Zilver Ion SI-01** mag niet langer worden gebruikt dan opgegeven.

U kunt de **Zilver Ion SI-01** in onze online winkel www.cleanairoptima.com bestellen.

De Clean Air Optima[®] luchtontvochtiger/ luchtreiniger opbergen

Als de luchtontvochtiger/luchtreiniger langere tijd niet wordt gebruikt:

1. Leeg en droog eerst de watertank.
2. Start het luchtdroogprogramma (zie het gedeelte "Aan/uit-knop").
3. Haal de stekker van het apparaat uit het stopcontact en rol het netsnoer op.
4. Verwijder en reinig de filters. Plaats de filters terug na het reinigen.
5. Bewaar het apparaat op een koele, droge plaats, uit de buurt van direct zonlicht, extreme temperaturen en overmatig stof.
5. Als het apparaat langere tijd niet wordt gebruikt, kunt u het het beste afdekken met een beschermhoes om stofophoping te voorkomen. Dit kan in de toekomst problemen veroorzaken bij het reinigen en onderhouden.

Reiniging van de watertank

Het water moet regelmatig verversed worden in de watertank. Het water mag niet langer dan 3 dagen in de watertank blijven staan.

- Houd er rekening mee dat een hoge luchtvochtigheid de groei van biologische organismen in de omgeving kan bevorderen.
- Laat het gebied rond de luchtbevochtiger niet vochtig of nat worden. Als er vocht optreedt, zet u de uitgang van de luchtbevochtiger lager. Als het uitgangsvolume van de luchtbevochtiger niet kan worden verlaagd, gebruikt u de luchtbevochtiger met tussenpozen. Zorg ervoor dat absorberende materialen, zoals vloerbedekking, gordijnen, gordijnen of tafelkleden, niet vochtig worden.
- Trek de stekker uit het stopcontact tijdens het vullen en reinigen.
- Laat nooit water in het reservoir staan als het apparaat niet in gebruik is.
- Leeg en reinig de luchtbevochtiger voor opslag. Reinig de luchtbevochtiger voor het volgende gebruik.
- Reinig de binnenkant van de watertank met een mild afwasmiddel, en spoel na met schoon water.

Waarschuwing: Micro-organismen die aanwezig kunnen zijn in het water of in de omgeving waar het apparaat wordt gebruikt, kunnen in het waterreservoir groeien en in de lucht worden geblazen. Hierdoor kunnen gezondheidsrisico's ontstaan, wanneer het water niet wordt verversed en de tank niet om de 3 dagen goed wordt schoongemaakt.



Bediening met Clean Air Optima®-app

Connectiviteit

Compatibiliteit met smartphone en tablet:

iPhone, iPad en Android-toestellen

Apparaat maakt verbinding via WiFi met app:

CleanAirOptima

Let op: de router moet zijn ingesteld op 2,4 GHz breedband. Als de router is ingesteld op 5,0 GHz, is het onmogelijk om een verbinding tot stand te brengen.

WiFi-verbinding opzetten

1. Download en installeer de CleanAirOptima-app in de App Store of Google Play Store.
2. Maak een account aan en log in.
3. De router moet zijn ingesteld op 2,4 GHz breedband. Als de router is ingesteld op 5,0 GHz, kan er geen verbinding tot stand worden gebracht.
4. Zorg ervoor dat Bluetooth is ingeschakeld op uw smartphone.
5. Steek de stekker van het apparaat in het stopcontact en zet het apparaat aan. De WiFi-indicator knippert. Indien de WiFi-indicator niet knippert, moet u de "MODE/ WiFi" toets 5 seconden indrukken. Dan gaat de WiFi-indicator wel snel knipperen. Indien de WiFi indicator snel knippert, is het apparaat klaar om te verbinden.
6. Zorg dat uw smartphone of tablet succesvol met uw WiFi-netwerk is verbonden.
7. Open de CleanAirOptima-app en klik op Apparaat toevoegen . Uw apparaat staat in de lijst en u kunt het selecteren. Zo niet, kies Auto Scan. Volg de instructies op het scherm om het apparaat met uw netwerk te verbinden.
8. Kies om het Clean Air Optima®-apparaat in de app toe te voegen, volg de instructies in de app.
9. Wanneer het apparaat is gekoppeld, brandt het WiFi-lampje  continu.
10. Nadat de configuratie is geslaagd, kunt u de Clean Air Optima®-app gebruiken om het apparaat te bedienen.

Opmerking:

- Als uw standaardnetwerk is gewijzigd, de WiFi-verbinding resetten en stap 1 tot 10 uitvoeren in het gedeelte WiFi-verbinding instellen.
- Als u meerdere apparaten aan uw smartphone of tablet wilt koppelen, moet u dit de een na de ander doen.
- Zorg dat de afstand tussen uw smartphone of tablet en het apparaat minder dan 5 meter is en dat er geen obstakels zijn. Zorg er ook voor dat u in dezelfde kamer bent als het apparaat.

WiFi-functie resetten:

- Het apparaat moet worden ingeschakeld.
- Reset de WiFi door de "MODE/ WiFi"-knop gedurende 5 seconden in te drukken, het indicatorlampje van de WiFi gaat snel knipperen.



WiFi-functie uitschakelen:

- Reset de WiFi door de MODE-knop gedurende 5 seconden in te drukken, het indicatorlampje van de WiFi gaat snel knipperen.
- Schakel de WiFi uit door de MODE-knop nogmaals gedurende 5 seconden in te drukken, het indicatorlampje van de WiFi gaat uit.

Verbind apparaten met meerdere telefoons

Let op: eerst moet de andere persoon de Clean Air Optima®-app op zijn/ haar telefoon installeren en een nieuw account aanmaken.

Delen het apparaat met beperkte toegang:

U kunt ervoor kiezen om 1 apparaat met meerdere personen te delen. Deze persoon heeft dan wel toegang, maar kan niet alle instellingen beheren.

Volg onderstaande instructies om het apparaat met meerdere personen te delen:

1. Ga naar het betreffende apparaat.
2. Ga naar het potlood of de drie stippen rechtsboven.
3. Selecteer 'Toestel delen.'
4. Selecteer 'Voeg delen toe.'
5. Selecteer de methode voor het delen van het toestel/ apparaat, b.v. via e-mail, whatsapp, sms etc. en ga verder.
6. Het apparaat verschijnt automatisch in de Clean Air Optima®-app van het account van de persoon waarmee het toestel gedeeld is.

Deel toestel met volledige toegang:

Je kunt een of meerdere personen toevoegen aan je 'Home-beheer'.

Die persoon heeft dan toegang tot al je apparaten die al zijn gekoppeld en heeft volledige rechten en machtigingen. U blijft altijd de hoofdbeheerder.

Volg de onderstaande instructies om iemand toe te voegen aan je 'Home-beheer':

1. Open de Clean Air Optima®-app en ga naar 'Profiel'.
2. Selecteer vervolgens 'Home-beheer'.
3. Selecteer 'Families toevoegen'.
4. Selecteer het desbetreffende 'Huis' en 'Voeg leden toe'.
5. Selecteer de methode voor het delen van het 'Huis' b.v. via email, whatsapp, sms etc. en ga verder.
6. Het bijbehorende 'Huis' verschijnt automatisch in de Clean Air Optima®-app van de persoon met wie jij je 'Huis' hebt gedeeld.
7. Op het andere account:
Open de Clean Air Optima®-app en ga naar het startscherm. Ga naar linksboven en selecteer het 'Huis'.

Aromatherapie

Het activeren van de aromafunctie:

- Haal het aromabakje uit de houder.
- Giet 5 tot 10 druppels Clean Air Optima[®] etherische olie op de spons.
- Plaats het aromabakje terug in de houder.
- Wanneer u uw luchtbevochtiger inschakelt, wordt de aromafunctie geactiveerd.
- Als u de aromafunctie wilt uitschakelen of als u het apparaat langere tijd niet gebruikt, verwijder dan de aromaspons uit het vakje en was deze met een beetje mild zeepwater. Laat de spons volledig drogen alvorens deze terug te plaatsen in het aromavakje. In principe is de aromaspons herbruikbaar.



Belangrijk

Om de beste resultaten te bereiken en zo veel mogelijk te genieten van uw luchtbevochtiger, raden wij u aan de volgende instructies met betrekking tot het gebruik van etherische oliën in de luchtbevochtiger CA-806 Smart/ CA-808 Smart aandachtig te lezen.

Gebruik van etherische oliën in de CA-806 Smart/ CA-808 Smart

Gebruik onze hoogwaardige etherische oliën en geniet van uw persoonlijke aromatherapie! Een geursensatie op het hoogste niveau!

In ons assortiment vindt u etherische oliën van hoge kwaliteit in diverse geuren. Ze passen perfect bij de luchtbevochtiger CA-806 Smart/ CA-808 Smart en zijn speciaal ontwikkeld voor het gebruik met deze luchtbevochtiger:



U kunt de **etherische oliën** in onze online winkel www.cleanairoptima.com bestellen.

Waarschuwing!

Het gebruik van andere etherische oliën die niet voor deze luchtbevochtiger zijn gemaakt of andere additieven (bijvoorbeeld: geuren en waterzuiveringsproducten) kan de luchtbevochtiger beschadigen. Deze mogen bijgevolg NIET gebruikt worden! **Doe nooit andere zuivere etherische oliën of andere additieven in de watertank of het waterbassin! Zelfs een kleine hoeveelheid kan het plastic beschadigen en scheuren veroorzaken.** Het materiaal is niet gemaakt voor het gebruik van additieven. Eén druppel is voldoende om de watertank/het waterbassin te beschadigen en het apparaat onbruikbaar te maken. Apparaten die door additieven beschadigd zijn, vallen niet onder de garantie.

Reiniging en onderhoud

U kunt ervoor zorgen dat uw **Clean Air Optima[®] CA-806 Smart/ CA-808 Smart** luchtbevochtiger en luchtreiniger jarenlang probleemloos werkt door enkele eenvoudige onderhoudsprocedures in acht te nemen. Als uw kraanwater hard is en hoge concentraties calcium en andere mineralen bevat, zal na verloop van tijd wit stof (kalk) zich op de verschillende oppervlakken in de ruimte gaan afzetten. Ook op het binnenwerk van de watertank zal een witte aanslag (kalk) ontstaan. De kalkaanslag zal de efficiënte hygiënische luchtbevochtiging van het apparaat belemmeren.

Wij adviseren het volgende:

1. Reinig de **watertank** eenmaal per week als u het apparaat dagelijks gebruikt met **Clean Air Optima[®] Reiniger & Ontkalker**.
2. Giet het resterende water uit de watertank en vul deze met vers water zodra de watertank moet worden bijgevuld.
3. Reinig het hele apparaat en houd alle onderdelen volledig droog wanneer het apparaat niet in gebruik is.



Speciaal ontwikkeld voor **Clean Air Optima[®]** luchtkoelers, luchtbevochtigers en luchtontvochtigers:

- Niet agressief
- Beschermde kunststof en keramische materialen van de luchtbevochtiger
- Geurneutraal
- Reinigt & ontkalkt snel en grondig
- Biologisch afbreekbaar

U kunt de **Clean Air Optima[®] Reiniger & Ontkalker** in onze online winkel www.cleanairoptima.com bestellen.


Probleemoplossing



Onderstaande gids helpt u bij het oplossen van problemen die u kunt ondervinden bij het gebruik van de **Clean Air Optima®** luchtbevochtiger en luchtreiniger CA-806 Smart/ CA-808 Smart.

Probleem	Mogelijke oorzaak	Oplossing
Geen nevel verspreid.	De stekker zit niet in het stopcontact. Aan/uit-knop niet geactiveerd. Lege watertank. Niet genoeg water in de tank.	Sluit het apparaat aan. Druk op de aan/uit-knop. Vul de tank met water. Vul de tank bij met water.
De nevel heeft een vreemde geur.	Een nieuw apparaat. Er zit vuil water in of het water heeft te lang stilgestaan.	Verwijder de watertank, draai het deksel eraf en laat alles 12 uur in een koele ruimte luchten. Reinig de watertank en vul deze weer met schoon water.
De hoeveelheid sproeinevel is te laag.	Te veel minerale aanslag in het waterbassin en op de transducer. Het water is te vuil of het water werd te lang in de tank bewaard.	Reinig het waterbassin en de transducer met: Clean Air Optima® Reiniger & Ontkalker Reinig de watertank en vul deze bij met schoon water.
Het apparaat maakt veel lawaai.	Watertank niet correct geplaatst. Niet genoeg water in de watertank. Het apparaat staat op een instabiel oppervlak.	Plaats de watertank correct op de basis. Vul het water in de watertank bij. Plaats het apparaat op een stevige en vlakke ondergrond.
Er komt sproeinevel uit het gebied rond de sproeikop.	Er zijn openingen tussen de behuizing rond de sproeikop en de bovenkant van de watertank.	Verwijder de sproeikop van de bovenkant van de watertank en reinig deze met een vochtige doek. Bevestig opnieuw aan de watertank.
Bediening met Clean Air Optima® App werkt niet.	Smartphone of tablet is niet verbonden met het Wifi-netwerk. Het apparaat heeft geen verbinding met het netwerk.	Schakel het apparaat aan en reset de wifi op het apparaat door de Manual-knop 5 seconden ingedrukt te houden, het indicatielampje van de wifi gaat knipperen. Volg dan stap 3 t/m 10 uit hoofdstuk Bediening met Clean Air Optima® App .

Probleemoplossing

Onderstaande gids helpt u bij het oplossen van problemen die u kunt ondervinden bij het gebruik van de **Clean Air Optima[®] luchtbevochtiger en luchtreiniger CA-806 Smart/ CA-808 Smart**.

Probleem	Mogelijke oorzaak	Oplossing
<p>Het display geeft een dubbele nul weer.</p> 	<p>De filters moeten worden vervangen.</p>	<p>Reset de timer voor het filter door de MODE-knop ongeveer 3 seconden ingedrukt te houden. Wanneer het indicatielampje uitgaat, is de timer succesvol gereset.</p>
<p>Het display geeft 72H uur aan.</p>	<p>Het apparaat is 72 uur in gebruik en moet worden schoongemaakt. Maak de watertank schoon. Houd de knop "Verwarmen/Reinigen" lang ingedrukt. Het apparaat verlaat de "Vochtigheidsmodus" en gaat naar de reinigingsmodus.</p>	<p>Houd de aan/uit-knop 3 seconden ingedrukt om te resetten.</p>

Symbolen	Betekenis
	<p>Dit symbool betekent dat het filter voor het in werking zetten van het apparaat moet worden gecontroleerd en indien nodig moet worden gereinigd. Vervang het filter om de 2 tot 3 maanden.</p>
	<p>Dit symbool betekent dat de watertank elke 3 dagen moet worden gereinigd. Ververs het water in de watertank elke 3 dagen. Haal de stekker uit het stopcontact voordat u begint met reinigen.</p>

Als uw water erg hard is (met een abnormaal hoog mineraalgehalte) kan de luchtbevochtiger wit stof produceren. Dit is geen storing. De oplossing zou zijn om het waterfilter vaker te vervangen of zachter water zoals gedestilleerd water te gebruiken.

WAARSCHUWING!

Als de hierboven aanbevolen oplossingen niet werken, neem dan contact op met de technische ondersteuning van Clean Air Optima op het telefoonnummer voor uw regio. Probeer het apparaat niet te demonteren, opnieuw in elkaar te zetten of te repareren, aangezien dit de garantie kan doen vervallen.

Specificaties CA-806 Smart

Model	CA-806 Smart
Voor kamers tot	60 m ² / 150 m ³ / 645 ft ²
Nominale spanning	100 - 240 V, 50/60 Hz
Nominaal vermogen	30 W - max. 230 W
Capaciteit luchtbevochtiging	Min. 250 ml/u - max. 800 ml/u
Ventilatorcapaciteit (CADR)	220 m ³ /h
Actief zuurstof	< 0,05 ppm
Geluidsniveau	Stille ventilator < 25 dB (A)
Afmetingen	260 x 260 x 508 mm
Gewicht	5,0 kg
Inhoud watertank	8,0 l
Kleur	Wit met gerookt glazen watertank

Specificaties CA-808 Smart

Model	CA-808 Smart
Voor kamers tot	80 m ² / 200 m ³ / 856 ft ²
Nominale spanning	100 - 240 V, 50/60 Hz
Nominaal vermogen	30 W - max. 230 W
Capaciteit luchtbevochtiging	Min. 300 ml/u - max. 1000 ml/u
Ventilatorcapaciteit (CADR)	220 m ³ /h
Actief zuurstof	< 0,05 ppm
Geluidsniveau	Stille ventilator < 25 dB (A)
Afmetingen	260 x 260 x 508 mm
Gewicht	5,0 kg
Inhoud watertank	8,0 l
Kleur	Wit met gerookt glazen watertank

Voldoet aan de EU-regelgeving CE / WEEE / RoHS

Vraag uw verkoper of uw gemeente om actuele informatie over de verwijdering van de verpakking en van het apparaat.



Service

Garantiecertificaat voor de Clean Air Optima[®] luchtbevochtiger en luchtreiniger CA-806 Smart/ CA-808 Smart.

Aankoopdatum:
Naam van de klant:
Adres:
Telefoon:
E-mail:
Naam van de verkoper:
Adres:

1. Gelieve dit garantiecertificaat volledig in te vullen. Verzond het met de factuur en het apparaat, voldoende gefrankeerd en in de originele verpakkingendoos, naar uw verkoper. Zorg dat u ook de retourzending van het pakket voldoende frankeert.
2. Gelieve een korte beschrijving bij te voegen van de schade, fout of storing en de omstandigheden waarin de problemen zich voordeden.

De **Clean Air Optima[®] luchtbevochtiger en luchtreiniger CA-806 Smart/ CA-808 Smart** ondergaat strenge testprocedures voordat het apparaat de fabriek verlaat. Indien het product binnen de 2 jaar na aankoopdatum wegens fabricagefouten niet volgens de specificaties functioneert, heeft de koper recht op gratis herstelling of vervanging van onderdelen op voorlegging van deze garantie (op voorwaarde dat de storing of beschadiging van het apparaat en/of onderdelen onder normale bedrijfsomstandigheden heeft plaatsgevonden). Wat wordt gedekt: Alle onderdelen met materiaal- of fabricagefouten. Hoe lang: gedurende twee jaar vanaf de aankoopdatum. Wat zullen we doen: Defecte onderdelen repareren of vervangen.

Overige voorwaarden

De bepalingen van deze garantie vervangen elke andere schriftelijke of mondelinge, uitdrukkelijke of impliciete garantie, met inbegrip van elke garantie van verkoopbaarheid of geschiktheid voor een bepaald doel. De maximale aansprakelijkheid van de fabrikant bedraagt niet meer dan de aankoopprijs die u daadwerkelijk voor het product heeft betaald. De fabrikant is in geen geval aansprakelijk voor bijzondere schade, incidentele schade, gevolgschade of indirecte schade. Deze garantie dekt geen defecten die het gevolg zijn van onjuist of onredelijk gebruik of onderhoud, foutieve montage, ongeval, natuurrampen, onjuiste verpakking of ongeoorloofde manipulatie, veranderingen of wijzigingen zoals uitsluitend door ons bepaald. Deze garantie vervalt als het etiket met het serienummer is verwijderd of beschadigd.

Doe nooit andere zuivere etherische oliën of andere additieven in de watertank of het waterbassin! Zelfs een kleine hoeveelheid kan het plastic beschadigen en scheuren veroorzaken.

Bedankt om dit te lezen!



Deel uw feedback over de Clean Air Optima®
luchtbevochtiger en luchtreiniger CA-806 Smart/ CA-808 Smart op:
www.cleanairoptima.com



Ga voor veelgestelde vragen over de CA-806 Smart/ CA-808 Smart naar:
www.cleanairoptima.com en zoek naar de CA-806 Smart/ CA-808 Smart.



Download de pdf-handleiding op:
www.cleanairoptima.com/info/manuals



Bekijk alle Clean Air Optima®
productanimatievideo's op:
www.youtube.com

Clean Air Optima International B.V. | Rientjesoven 26 | 7621 HG Borne
Nederland | Telefoon: +31 (0) 74 - 2670145

Clean Air Optima Duitsland GmbH | Enschedestraße 14 | 48529 Nordhorn
Duitsland | Telefoon: +49 (0) 5921 879-121

E-mail: info@cleanairoptima.com

Internet: www.cleanairoptima.com

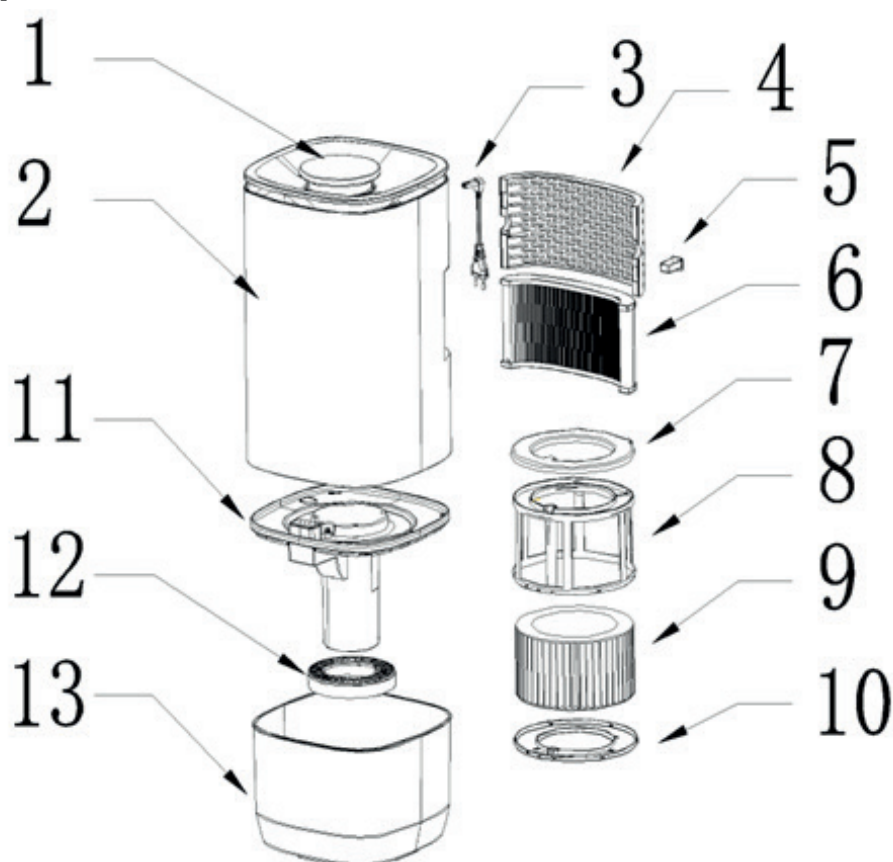
Français

Merci d'avoir acheté l'humidificateur et purificateur d'air par évaporation Clean Air Optima[®] CA-806 Smart/CA-808 Smart.

Grâce à cet appareil efficace, vous bénéficierez d'un air intérieur sain durant de nombreuses années.

Ces instructions décrivent les consignes de sécurité à respecter lors du fonctionnement de l'appareil. Elles sont destinées à prévenir les blessures et à éviter d'endommager l'appareil.

CA-806 Smart/ CA-808 Smart Unité principale



Description de l'appareil

Les principaux composants de l'appareil sont les suivants :

- | | |
|--------------------------------------|-------------------------------------|
| 1. Écran | 8. Support du filtre à eau |
| 2. Boîtier | 9. Filtre à eau |
| 3. Cordon d'alimentation | 10. Fond du support du filtre à eau |
| 4. Grille d'entrée d'air | 11. Installation de la pompe à eau |
| 5. Boîte à arômes | 12. Filtre en résine |
| 6. Filtre HEPA | 13. Réservoir d'eau |
| 7. Support supérieur du filtre à eau | |

Avertissements de sécurité

Cet appareil ne peut être utilisé que conformément aux instructions de sécurité indiquées dans le présent document. Veillez à adopter les mesures suivantes afin de minimiser les risques de blessures corporelles dues par exemple à des chocs électriques ou un incendie.

1. Uniquement pour utilisation intérieure. N'utilisez pas et n'entreposez pas l'appareil à l'extérieur.
2. Utilisez la tension appropriée : CA 220 V - 240 V, 50/60 Hz
3. Cet appareil peut être utilisé par des enfants à partir de 8 ans ainsi que par des personnes disposant de capacités physiques, sensorielles ou mentales réduites, ou un manque d'expérience et de connaissances, à condition qu'ils soient surveillés ou qu'ils aient reçu des instructions concernant l'utilisation de l'appareil en toute sécurité et qu'ils en comprennent les dangers. Les enfants ne peuvent pas jouer avec l'appareil. Le nettoyage et l'entretien par l'utilisateur NE peuvent PAS être effectués par des enfants sans surveillance.
4. Vous devez éteindre l'appareil avant d'ajouter de l'eau.
5. Assurez-vous que l'appareil fonctionne toujours avec un réservoir d'eau rempli.
6. Ne laissez pas d'eau dans le réservoir d'eau lorsque l'appareil n'est pas utilisé.
7. Avertissement : Des micro-organismes peuvent être présents dans l'eau de l'environnement où l'appareil est utilisé ou stocké. Si l'eau n'est pas changée régulièrement ou si le réservoir n'est pas nettoyé tous les 3 jours, ces microbes peuvent se développer dans le réservoir et s'évaporer dans l'air, ce qui peut causer de graves problèmes de santé.
8. Changez l'eau tous les 3 jours.
9. Il est strictement interdit de couvrir l'entrée et la sortie d'air avec quoi que ce soit lorsque l'appareil est en fonctionnement.
10. Afin d'utiliser l'appareil en toute sécurité, placez-le en position horizontale stable. Ne bougez pas l'appareil en cours d'utilisation.
11. Pour éviter toute interférence et tout dommage aux autres appareils électroniques, cette machine doit être disposée à au moins 1 mètre d'un ordinateur, d'un téléviseur, d'une radio ou de tout autre équipement électronique.
12. N'utilisez pas l'appareil si des dommages visibles sont présents sur le cordon électrique ou l'appareil lui-même. Ne réparez pas l'appareil vous-même en cas de dommages. Ne déplacez jamais l'appareil en tirant sur le cordon d'alimentation. Si le cordon d'alimentation est endommagé, il doit être remplacé par un technicien autorisé, et ce, afin d'éviter tout choc électrique ou incendie.
13. Les réparations ne peuvent être effectuées que par du personnel de service autorisé. N'essayez pas de réparer l'appareil vous-même, et ce, afin d'éviter tout risque d'électrocution ou d'incendie.
14. Ôtez toujours la fiche de la prise de courant lorsque l'appareil n'est pas utilisé ou lorsque vous nettoyez des parties internes ou externes de celui-ci.
15. Retirez le réservoir d'eau avant de déplacer l'appareil.
16. Utilisez uniquement les cordons d'alimentation fournis.
17. N'utilisez pas l'appareil à l'intérieur de locaux où sont entreposés des liquides ou des gaz inflammables, à proximité de sources de chaleur ou dans des pièces particulièrement humides comme des salles de bains, des douches ou des piscines.
18. N'insérez pas d'objets étrangers dans l'appareil, et ce, afin d'éviter tout dysfonctionnement.
19. Ne démontez ni ne remplacez jamais les éléments internes de l'appareil.
20. N'exposez pas l'appareil à la lumière directe du soleil afin d'éviter toute décoloration.
21. N'immergez jamais l'appareil dans l'eau ou dans d'autres liquides.
22. Ne touchez pas le cordon d'alimentation avec les mains mouillées.

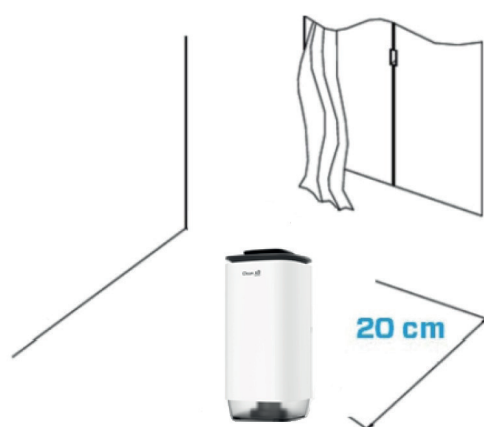
23. Nettoyez et séchez l'appareil avant son stockage (et éliminez également toute trace d'eau à l'intérieur de l'appareil). Entrez la machine dans un endroit frais et sec, hors de portée des enfants.

24. Ne nettoyez pas le puits d'eau lorsque l'eau est encore chaude.

25. Utilisez, entretenez et nettoyez l'appareil comme décrit dans ce manuel.

Installation

Assurez-vous que l'appareil est placé à 20 cm des murs et des meubles, voir l'illustration ci-dessous.



Retirez tout d'abord la garniture des filtres.



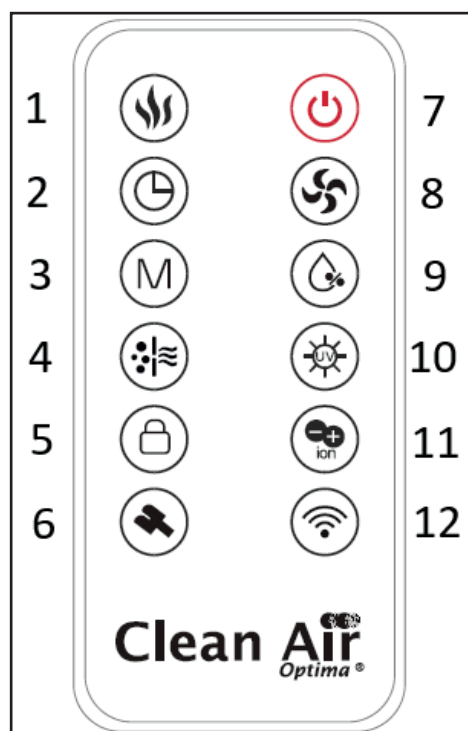
Retirez le film protecteur de l'écran.



Télécommande

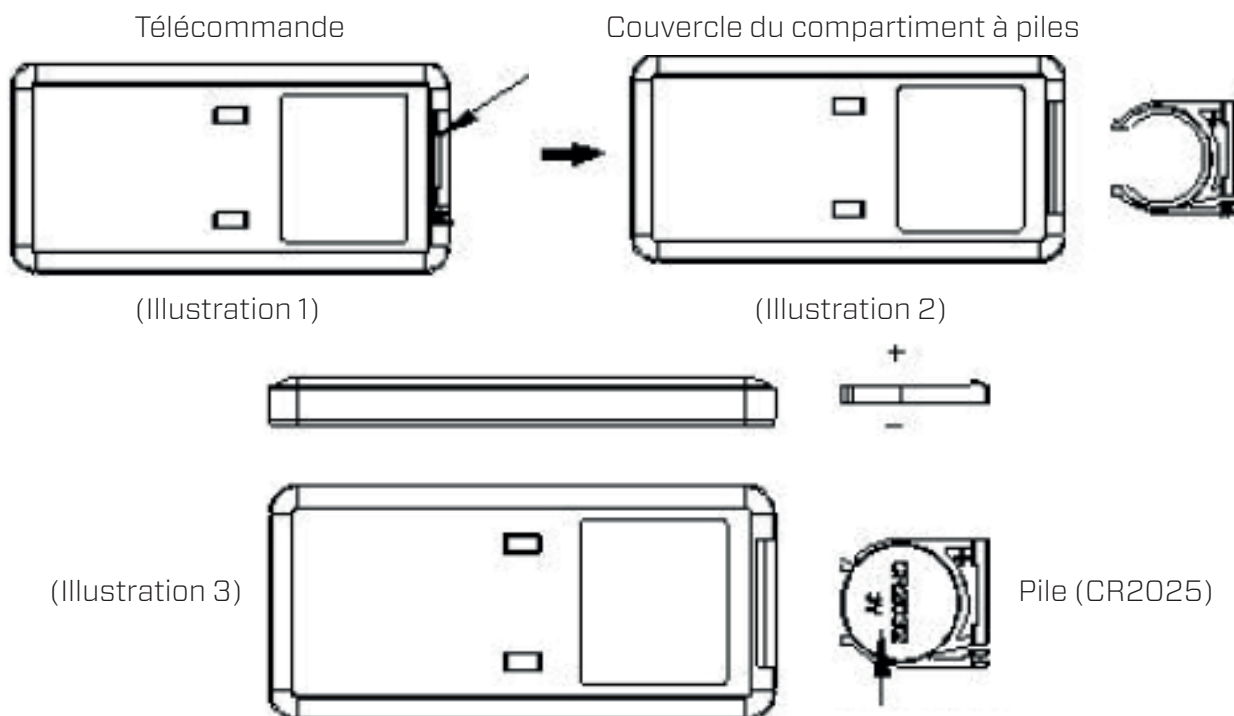
Boutons de votre télécommande :

1. Chauffage / Mode Nettoyage
2. Minuterie
3. Mode
4. Purification de l'air
5. Sécurité enfant:
6. Mode Nettoyage
7. MARCHE / ARRÊT
8. Réglage du niveau de brume
9. Bouton d'humidité
10. Lumière UV
11. Ions négatifs
12. Wi-Fi



Télécommande

1. Ouvrez le couvercle du compartiment à piles situé à l'arrière de la télécommande pour placer la pile. (Voir l'illustration 1).
2. Pour installer la pile : faites glisser vers la droite la « languette de sécurité » située au bas de la télécommande et retirez ensuite la pile. (Voir l'illustration 2).
Insérez la pile avec la polarité correcte. (Voir l'illustration 3).
3. Replacez le couvercle du compartiment à piles sur la télécommande.



Instructions d'utilisation

Avant de commencer, retirez le Clean Air Optima® CA-806 Smart/ CA-808 Smart de sa boîte et laissez l'appareil s'habituer à la température ambiante pendant au moins 30 minutes, surtout si la machine a été refroidie par de l'air extérieur. Placez l'appareil sur une surface solide, plane et étanche à l'eau, à au moins 20 cm du mur.

Le CA-806 Smart & CA-808 Smart est conçu pour fonctionner à des températures comprises entre 5 et 40°C, et à une humidité relative inférieure à 85 %.

Pour commencer, soulevez le carter. Il est fixé au réservoir d'eau. Retirez le filtre à eau du carter de la pompe à eau. Retirez ensuite le carter de la pompe à eau du réservoir. Vous pouvez maintenant remplir le réservoir jusqu'au repère maximum ou réduire la quantité d'eau.

Soulever le carter de carrosserie



Couvercle du réservoir d'eau et filtre



Robinet de remplissage



Placez ensuite le réservoir d'eau sous le **robinet** de remplissage. Remplissez le réservoir à l'aide d'eau du robinet (ou d'une autre source d'eau propre dont la température est inférieure à 40°C), puis remettez le couvercle et le filtre en place.

Remplissage par le haut: Le réservoir d'eau peut également être rempli à l'aide d'un arrosoir directement par le haut de l'humidificateur.

Remplissage



Figure 1.

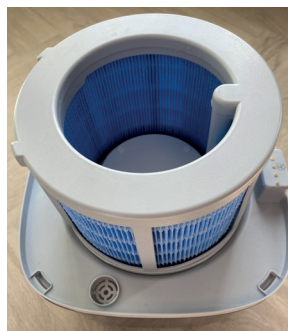
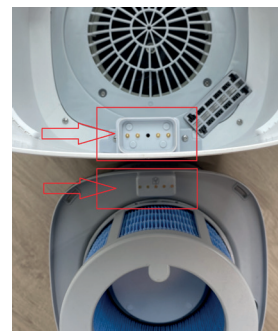


Figure 2.



Remettez en place le réservoir d'eau et les filtres (figure 1.).

Replacez la carrosserie sur le réservoir d'eau et faites-la glisser sur le filtre de manière à ce que les points de contact se trouvent l'un contre l'autre (figure 2.)

Branchez la fiche d'alimentation à une prise de courant appropriée ; un signal sonore indique que votre appareil est en mode veille. Lorsque vous allumez ou que vous éteignez l'humidificateur, valeur de taux d'humidité s'affichent.

Bouton d'alimentation

Appuyez sur le bouton marche/arrêt en mode veille pour activer l'humidificateur:

- Lorsque le réservoir est rempli d'eau, un bip sonore retentit et l'appareil passe en mode de fonctionnement. Au démarrage initial, l'appareil fonctionne en vitesse 3, l'icône UV s'allume et la pompe à eau se met en marche.
- Appuyez sur ce bouton en mode de fonctionnement : l'appareil passe en mode séchage à l'air libre, puis en mode veille. L'appareil est en mode de fonctionnement (sauf si la sécurité enfant est activée). Appuyez sur le bouton marche/arrêt pour accéder au programme de séchage à l'air libre.

Le séchage à l'air libre fonctionne comme suit :

- L'appareil fonctionne en vitesse 4, l'icône « Chauffage PTC activé » s'allume et les autres icônes de l'écran numérique s'éteignent. L'appareil s'éteint après 50 minutes de séchage à l'air libre et passe en mode veille. (Remarque : le chauffage est désactivé à la 45e minute du programme de séchage à l'air libre.)
- Pendant le séchage à l'air libre, appuyez sur le bouton marche/arrêt ; l'appareil quittera le mode séchage à l'air libre et passera en mode veille.



Bouton UV/Bouton Ions négatifs :

L'appareil démarre avec la lampe UV allumée. Appuyez de nouveau sur le bouton pour l'éteindre. Pour activer l'ioniseur, maintenez le bouton enfoncé pendant 3 secondes. Appuyez de nouveau dessus pendant 3 secondes pour désactiver l'ioniseur.

La fonction de stérilisation UV élimine les bactéries présentes dans le flux d'air de la brume avant que celle-ci ne pénètre dans la pièce.

Appuyez sur le **bouton ions négatifs** pour activer le générateur d'ions négatifs avec une capacité totale supérieure à 3.000.000 ions négatifs/cm³, répartis dans toute la pièce et neutralisant ainsi les polluants et les odeurs. Les ions négatifs se fixent sur les particules de poussière, les microorganismes et autres particules indésirables présentes dans l'air, et les relient ensemble. Les particules en question deviennent ainsi plus lourdes que l'air et tombent sur le sol, de telle sorte que vous ne risquez plus de les respirer.

On trouve principalement des ions négatifs dans les forêts, les montagnes et sur les côtes. Ils permettent de garantir un air frais et sain.



Bouton d'humidité:

Vous pouvez sélectionner le taux d'humidité souhaité en appuyant plusieurs fois sur le **bouton Taux d'humidité**, jusqu'à ce que le taux d'humidité désiré soit affiché (de 30 % à 80 % par incréments de 5 %). Une fois que vous avez sélectionné le taux d'humidité désiré, arrêtez d'appuyer sur le bouton pour définir le taux d'humidité.

Une fois le réglage effectué, l'écran clignote une fois par seconde, puis trois fois en continu pour indiquer la valeur réglée. Après le clignotement, l'humidité actuelle s'affiche, avec une plage d'affichage de 20 à 90 % d'humidité relative.

La vitesse reste inchangée pendant les 2 premières minutes suivant le passage de l'appareil en mode humidité constante.

Après 2 minutes, le ventilateur fonctionne selon le programme suivant :

1. Lorsque l'humidité atteint ou dépasse le seuil d'humidité défini, l'appareil arrête l'humidification et le ventilateur fonctionne à la vitesse 1 ;
2. Lorsque l'humidité réelle est inférieure à la valeur définie « 2 % », l'appareil continue d'humidifier à la vitesse 2;
3. Lorsque l'humidité réelle est inférieure à la valeur définie « 4 % », l'appareil continue d'humidifier à la vitesse 3;
4. Lorsque l'humidité réelle est inférieure à la valeur définie « 6 % », l'appareil continue d'humidifier à la vitesse 4.

Remarque : Si la vitesse est modifiée en mode humidité constante, l'appareil fonctionnera à la vitesse définie pendant 2 minutes, puis répétera la procédure ci-dessus après 2 minutes.

Appuyez sur le bouton « Humidité » pour afficher la valeur d'humidité actuelle. Appuyez ensuite à nouveau sur le bouton « Humidité » pour ajuster la valeur d'humidité.



Bouton Mode/ Bouton Wi-Fi :

Lorsque vous appuyez sur le bouton Mode pour la première fois, l'icône « Mode Auto » s'allume puis clignote trois fois avant d'activer le mode automatique. Un deuxième appui sur le bouton Mode dans les trois secondes met l'appareil en mode santé. L'icône « Mode Santé » clignote alors trois fois avant d'activer le mode santé. Et ainsi de suite.

L'ordre de rotation des boutons Mode est le suivant : mode automatique -> mode santé -> mode veille -> aucun réglage -> mode automatique.

Mode automatique:

Une fois le mode automatique activé, l'humidité est réglée à 68 % et le volume de brume est humidifié pendant 5 minutes au niveau 4. Après 5 minutes, le volume de brume est ajusté selon les exigences suivantes :

Lorsque l'humidité est inférieure à 60 %, le volume de brume fonctionne sur 4 niveaux ; entre 60 % et 63 %, le volume de brume fonctionne sur 3 niveaux ; entre 64 % et 68 %, le volume de brume fonctionne sur 2 niveaux ; au-delà de 68 %, le volume de brume fonctionne sur 1 niveau.

Mode Santé :

Appuyez une deuxième fois sur le bouton Mode. L'icône « Mode Santé » clignote trois fois par seconde, puis active le mode Santé.

Après avoir activé le mode Santé, l'icône « Mode Santé » sur le pavé numérique s'allume ; les ions négatifs et la lumière UV s'allument, et l'appareil fonctionne au niveau 3.

Après avoir activé le mode Santé, l'appareil détecte automatiquement le taux d'humidité optimal en fonction de la température ambiante et augmente le taux d'humidité de 5 % en fonction de la valeur détectée. Par exemple, si la valeur détectée est de 45 %, le taux d'humidité réglé sera de 50 %, et ainsi de suite.

Lorsque l'appareil atteint ou dépasse le taux d'humidité réglé, le ventilateur fonctionne au niveau 1. Lorsque le taux d'humidité descend en dessous de « 2 % », l'appareil revient au niveau 3.

Mode veille :

Appuyez une troisième fois sur le bouton Mode. L'icône « Mode veille » clignote trois fois par seconde et le mode veille est activé.

1. Les fonctions activées avant le passage en mode veille (UV, minuterie et ions négatifs) ne sont pas affectées par le mode veille.
2. Après 10 secondes, lorsque l'appareil passe en mode veille, l'écran s'éteint (à l'exception de l'icône « Mode veille ») et l'appareil fonctionne à 75 % de la vitesse du niveau de brumisation 1.

Lorsque l'appareil détecte que le réservoir d'eau est vide en mode veille, l'icône « Manque d'eau » reste allumée, le buzzer ne retentit pas et l'appareil passe en mode veille.

Connexion Wi-Fi :

Appuyez sur le bouton « Mode/Wi-Fi » et maintenez-le enfoncé pendant 3 secondes. L'appareil entrera en mode d'appairage Wi-Fi et l'icône Wi-Fi continuera de clignoter jusqu'à ce que l'appairage soit réussi. Appuyez à nouveau sur le bouton « Mode/Wi-Fi » et maintenez-le enfoncé pendant 3 secondes. Un signal sonore retentira, l'appareil quittera le mode d'appairage Wi-Fi et l'icône Wi-Fi s'éteindra.



Bouton Chauffage / Bouton Mode Nettoyage :

Appuyer sur le bouton « Chauffage » active la fonction de chauffage. Le chauffage assure un séchage rapide et efficace du filtre à eau.

L'appareil fonctionne sur la vitesse 4 une fois la fonction de chauffage activée. Le réglage de la vitesse est fixe ; toute modification désactiverait la fonction de chauffage.

Appuyez de nouveau sur le bouton « Chauffage/Nettoyage » pour désactiver cette fonction .



Bouton de réglage du niveau de brume:

L'appareil continue d'humidifier et le taux d'humidité ne peut être réglé.

L'appareil fonctionne initialement au niveau 3.

L'appareil dispose de 4 niveaux. Appuyez sur ce bouton à chaque fois pour atteindre un niveau. La séquence de niveaux de brume est : 3-> 4-> 1-> 2-> 3-> 4-> 1-> 2-> 3, etc.

La pompe à eau fonctionne en continu pendant les 2 premières minutes.

Au bout de 2 minutes, la pompe à eau s'arrête pendant 3 minutes, puis fonctionne pendant 15 secondes. Elle s'arrête ensuite pendant 3 minutes, puis fonctionne à nouveau pendant 15 secondes, et ainsi de suite.



Bouton Purification de l'air/ Sécurité enfant:

Appuyez sur le bouton « Purification de l'air/Sécurité enfant » pour activer le mode purification de l'air. La pompe à eau s'arrêtera et l'affichage de l'humidité disparaîtra. L'icône PM2.5 s'allumera pour indiquer la qualité de l'air. Appuyez de nouveau pour revenir au mode humidification.

Maintenez le bouton « Purification de l'air/Sécurité enfant » enfoncé pendant 3 secondes ; l'icône de sécurité enfant activée s'allumera. Maintenez-le enfoncé pendant 3 secondes supplémentaires ; l'icône de sécurité enfant désactivée s'éteindra.



Bouton Minuterie :

Appuyez sur le **bouton Minuterie** pour régler la minuterie. La fonction de minuterie détermine le nombre d'heures de fonctionnement de l'humidificateur. Vous pouvez régler la minuterie en appuyant simplement une fois sur le bouton pour chaque heure pendant laquelle vous souhaitez faire fonctionner l'appareil. La minuterie peut être réglée sur une période allant de 1 heure à 12 heures. Au fur et à mesure que le temps passe, la valeur indiquée diminue jusqu'à ce qu'elle arrive à 00:00 et que l'appareil s'éteigne.

Nettoyage après 72 heures de fonctionnement:

1. Après 72 heures de fonctionnement, l'écran affiche « 72 heures » et continue de clignoter jusqu'à la réinitialisation du temps de nettoyage.
2. Appuyez longuement sur le bouton « Chauffage/Nettoyage ». L'appareil quittera le mode « Humidité » et passera en mode Nettoyage.
3. Nettoyez le réservoir d'eau (conseillé).
4. Maintenez le bouton « Marche/Arrêt » enfoncé pendant 2 secondes pour désactiver le message de nettoyage « 72 heures ». L'écran affiche « 00 heures » et clignote 3 fois. L'écran affiche ensuite le taux d'humidité.
5. Si l'appareil n'a pas fonctionné pendant 72 heures, vous pouvez réinitialiser le mode nettoyage en appuyant sur le bouton « Marche/Arrêt » pendant 2 secondes pour remettre le temps de nettoyage à 0 et le recalculer. L'icône « Humidité » affiche « 00H » et clignote 3 fois. L'affichage normal est rétabli.

Lorsque le mode veille est activé, aucune invite de nettoyage ne s'affiche. À la sortie du mode veille, une invite de nettoyage s'affiche.

Affichage de l'humidité :

Lorsque l'humidité est inférieure à 45 %, le voyant du réservoir d'eau s'allume en orange ; entre 45 % et 60 %, il s'allume en bleu ; au-dessus de 60 %, il s'allume en blanc. La valeur moyenne est utilisée comme valeur d'affichage.



Avertissement de manque d'eau:

Lorsque l'appareil détecte que le réservoir d'eau est vide, il passe en mode chauffage-séchage et entre en mode manque d'eau.

En cas de manque d'eau, le voyant de niveau d'eau et le voyant coloré du réservoir clignotent en rouge trois fois et émettent trois bips. Activez ensuite le système de chauffage et de séchage « vapeur chaude » et, après 30 minutes, passez en mode veille.

Vous pouvez également appuyer sur le bouton marche/arrêt pour éteindre l'appareil et remplir le réservoir d'eau.

Une fois le réservoir rempli, le voyant de niveau d'eau et le voyant coloré du réservoir s'éteignent et l'appareil passe en mode veille.

Description du niveau d'eau:

Les indicateurs du réservoir d'eau sont : plein, manque d'eau.

1. Niveau d'eau bas : Lorsque la pompe à eau détecte un manque d'eau persistant pendant 10 secondes, l'appareil passe en mode manque d'eau.
2. Remplissage du réservoir d'eau : Ajoutez de l'eau à chaque fois que l'appareil est allumé ou éteint. Lorsque le réservoir d'eau est plein, l'affichage numérique clignote 5 fois et le buzzer retentit 5 fois. L'écran affiche « FUL ».

Veillez à toujours remplir complètement le réservoir d'eau.

Nettoyage et entretien

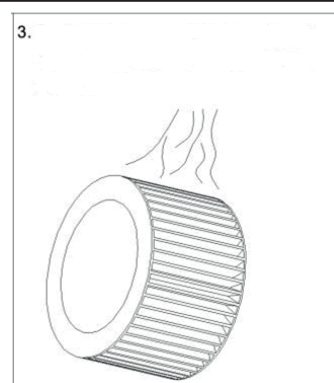
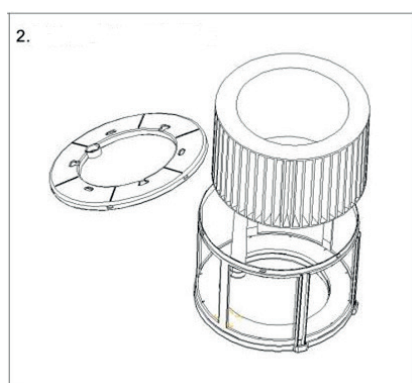
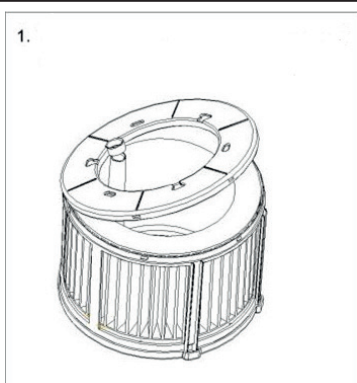
Nettoyage du filtre à eau

Dans certaines régions, la qualité de l'eau est mauvaise. Après une utilisation prolongée, du calcaire ou de la poussière peuvent s'accumuler à la surface du filtre à eau. Vous pouvez démonter le filtre à eau et le rincer à l'eau claire. En utilisation normale, il est recommandé de le remplacer tous les six mois.

Retirez le filtre à eau de l'appareil et démontez le fond.

Retirez le filtre à eau.

Rincez la surface du filtre à eau à l'eau du robinet, puis remontez-le. Remettez-le en place.



Nettoyage du filtre à résine

Dans certaines régions, la qualité de l'eau est mauvaise. Après une utilisation prolongée, du calcaire ou de la poussière peuvent s'accumuler sur la surface du filtre à résine. Vous pouvez démonter le filtre à résine et le rincer à l'eau claire. En utilisation normale, il est recommandé de remplacer le filtre à eau tous les six mois.

Soulever la cloison du réservoir d'eau, tourner l'adoucisseur dans le sens des aiguilles d'une montre et retirer l'adoucisseur directement lorsque la boucle est desserrée (Photo 1).

Rincez la surface du filtre à résine à l'eau du robinet et remontez-le.

Insérez la goulotte indiquée par la flèche dans la figure, puis tournez l'adoucisseur dans le sens inverse des aiguilles d'une montre jusqu'à ce que la boucle soit perceptible (Photo 2).

Photo 1.

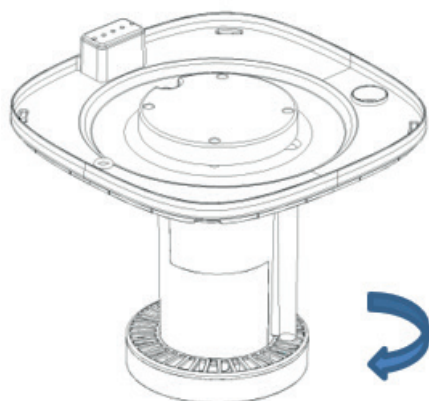
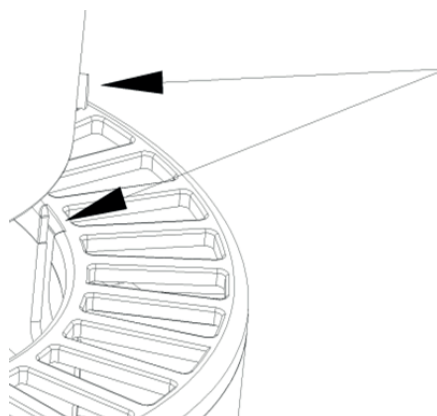


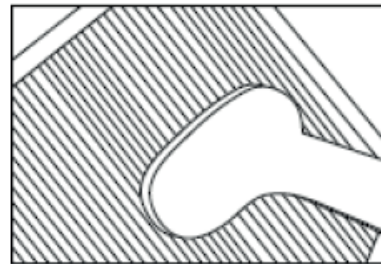
Photo 2.



Nettoyage du filtre HEPA H13

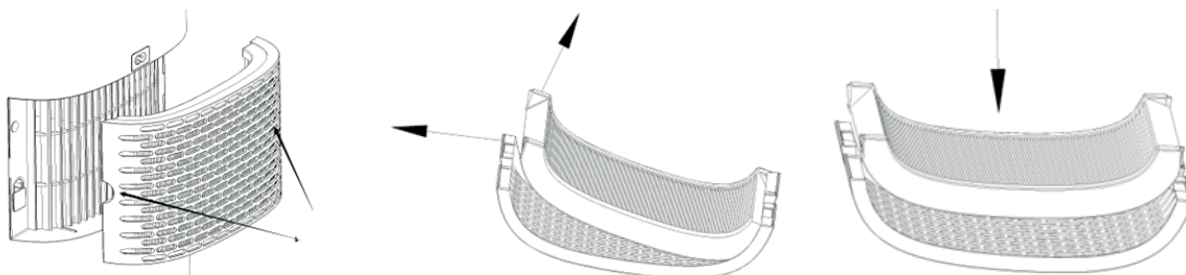
Pour un effet optimal, nettoyez les filtres une fois par mois. Si l'air intérieur est extrêmement pollué, un nettoyage supplémentaire peut s'avérer nécessaire.

Nettoyez le **préfiltre** et le **filtre HEPA** à l'aide d'une brosse ou d'un aspirateur. De cette façon, les plus grosses particules de poussières comme les peluches, les poils ou les squames d'animaux domestiques peuvent être éliminées du filtre.



Avertissement ! Ne jamais mouiller ou rincer les filtres composites (**filtre HEPA et à charbon actif**) avec de l'eau.

Retirez les filtres de leur logement. Après le remplacement ou le nettoyage du filtre, remplacez-le dans son logement et refermez ce dernier, voir l'illustration ci-dessous.



Signes d'usure des filtres

Augmentation du bruit, diminution du débit d'air, filtres bouchés, mauvaises odeurs. Le filtre HEPA doit être remplacé par un nouveau lorsqu'il passe du blanc au gris ou au noir. Si le filtre HEPA reste blanc, cela signifie qu'il N'est PAS nécessaire de le remplacer.

Comment commander des filtres :

Contactez le service après-vente de Clean Air Optima au numéro de tél. suivant :
+ 31 (0) 742670145 ou visitez notre boutique en ligne à l'adresse :

<https://www.cleanairoptima.com/-accessoires>

Nettoyage de la partie extérieure du purificateur d'air

1. Éteignez l'appareil et débranchez le cordon d'alimentation.
2. Utilisez un chiffon doux et humide pour éliminer la poussière et la saleté de l'appareil.
3. Veillez à ce que **de l'eau** ne pénètre pas à l'intérieur de l'appareil.



Nettoyez les points de contact.

Nettoyez régulièrement les points de contact avec un chiffon propre et sec.



Remplacement des filtres

Le Clean Air Optima CA-806 Smart / CA-808 Smart est équipé d'un système de surveillance de la durée de vie des filtres qui signale la nécessité de les remplacer après 1 000 heures de fonctionnement (HEPA H13, filtre à eau, filtre à résine et Silverion). Un voyant lumineux double

zéro  indique la nécessité de les remplacer. Réinitialisez la minuterie des filtres en appuyant sur le bouton de réglage du niveau de brume  pendant environ 4 secondes. Si le voyant s'éteint, la minuterie est réinitialisée.

Selon l'utilisation, les filtres ont une durée de vie d'environ 3 à 6 mois. La lampe UV-C est permanente ; aucun remplacement n'est nécessaire.

Retirez les filtres de leur compartiment. Après remplacement ou nettoyage, réinstallez-les dans leur compartiment et remontez-les sur l'appareil. Voir le chapitre « Nettoyage et entretien ».

Placement/Remplacement du Silver Ion SI-01 Clean Air Optima[®]

Le **Silver Ion SI-01** utilise l'effet antimicrobien de l'argent, il empêche la croissance des bactéries et le développement d'odeurs dans l'eau. Le **Silver Ion SI-01** fonctionne même quand votre humidificateur est éteint, donc l'eau reste fraîche.

Remplacez le **Silver Ion SI-01** au début de la saison d'humidification ou remplacez le **Silver Ion SI-01** après une année d'utilisation.

Remplacement du Silver Ion SI-01 :

Pour commencer, soulevez le carter. Il est fixé au réservoir d'eau. Retirez le filtre à eau du carter de la pompe à eau. Retirez ensuite le carter de la pompe à eau du réservoir.

Soulever le carter de carrosserie



Couvercle du réservoir d'eau et filtre



Silver Ion SI-01



1. Retirez le **Silver Ion SI-01** usagé.
2. Insérez le **Silver Ion SI-01** neuf.

Éliminez le **Silver Ion SI-01** avec vos ordures ménagères normales.

Le **Silver Ion SI-01** ne doit pas être utilisé plus longtemps que la durée indiquée.

Vous pouvez commander le **Silver Ion SI-01** dans notre boutique en ligne à l'adresse

www.cleanairoptima.com.

Stockage du déshumidificateur/ purificateur d'air Clean Air Optima[®]

Si le déshumidificateur/purificateur d'air ne doit pas être utilisé pendant une période prolongée :

1. Videz et séchez d'abord le réservoir d'eau.
2. Lancez le programme de séchage à l'air libre (voir la section « Bouton Marche/Arrêt »).
3. Débranchez l'appareil et enrroulez le cordon d'alimentation.
4. Retirez et nettoyez les filtres. Remettez-les en place après le nettoyage.
5. Rangez l'appareil dans un endroit frais et sec, à l'abri de la lumière directe du soleil, des températures extrêmes et de la poussière excessive.
5. Si l'appareil ne doit pas être utilisé pendant une période prolongée, il est préférable de le recouvrir d'une housse de protection pour éviter l'accumulation de poussière. Cela pourrait entraîner des problèmes de nettoyage et d'entretien.

Nettoyage du réservoir d'eau

L'eau doit être changée régulièrement dans le réservoir d'eau. L'eau ne doit pas rester dans le réservoir d'eau plus de 3 jours.

- Veuillez noter qu'une humidité élevée peut favoriser la croissance d'organismes biologiques dans l'environnement.
- Ne laissez pas la zone autour de l'humidificateur devenir humide ou mouillée. En cas d'humidité, baissez la sortie de l'humidificateur. Si le volume de sortie de l'humidificateur ne peut pas être réduit, utilisez l'humidificateur par intermittence. Ne laissez pas les matériaux absorbants tels que la moquette, les rideaux, les tentures ou les nappes devenir humides.
- Retirez la fiche de la prise pendant le remplissage et le nettoyage.
- Ne jamais laisser d'eau dans le réservoir lorsque l'appareil n'est pas utilisé.
- Videz et nettoyez l'humidificateur avant de le ranger. Nettoyez l'humidificateur avant la prochaine utilisation.
- Nettoyez l'intérieur du réservoir d'eau avec un détergent doux et rincez à l'eau claire.

Avertissement: Les micro-organismes pouvant être présents dans l'eau ou dans l'environnement où l'appareil est utilisé peuvent se développer dans le réservoir d'eau et être projetés dans l'air. Cela peut entraîner des risques pour la santé si l'eau n'est pas changée et si le réservoir n'est pas correctement nettoyé tous les 3 jours.



Fonctionnement avec l'application Clean Air Optima[®]

Connectivité

Compatibilité smartphone et tablette :

Appareils iPhone, iPad et Android

L'appareil se connecte par le wifi à l'application :

CleanAirOptima

Attention : Le routeur doit être réglé sur la bande de fréquence de 2,4 GHz. Si le routeur est réglé sur 5,0 GHz, il est impossible d'établir une connexion.

Configurer la connexion wifi

1. Téléchargez et installez l'application « CleanAirOptima » dans l'App Store ou le Google Play Store.
2. Créez un compte et connectez-vous.
3. Le routeur doit être réglé sur la bande de fréquence de 2,4 GHz. Si le routeur est réglé sur 5,0 GHz, il est impossible d'établir une connexion.
4. Assurez-vous que le Bluetooth est activé sur votre smartphone.
5. Branchez la fiche de l'appareil dans la prise électrique et mettez-le sous tension. L'indicateur WiFi clignote. Si le voyant WiFi ne clignote pas, appuyez sur le bouton 'MODE/WIFI' pendant 5 secondes. Ensuite, le voyant WiFi clignotera rapidement. Si le voyant WiFi clignote rapidement, l'appareil est prêt à se connecter.
6. Assurez-vous que votre smartphone ou tablette est correctement connecté à votre réseau wifi.
7. Ouvrez l'application « CleanAirOptima » et cliquez sur « Ajouter un appareil » . Votre appareil est répertorié dans la liste et vous pouvez le sélectionner. Sinon, choisissez 'Auto Scan'. Suivez les instructions à l'écran pour connecter l'appareil à votre réseau.
8. Choisissez l'option « Ajouter l'appareil Clean Air Optima[®] » dans l'application, suivez les instructions de l'application.
9. Lorsque l'appareil est couplé, le témoin wifi reste  allumé en permanence.
10. Une fois la configuration réussie, vous pouvez utiliser l'application Clean Air Optima[®] pour faire fonctionner l'appareil.

Remarque :

- Si votre réseau par défaut a changé, réinitialisez la connexion wifi, suivez les étapes 1 à 10 de la section « Configurer la connexion wifi ».
- Si vous souhaitez coupler plusieurs appareils à votre smartphone ou tablette, vous devez les appairer l'un après l'autre.
- Assurez-vous que la distance entre votre smartphone ou tablette et l'appareil est inférieure à 5 mètres et qu'il n'y a pas d'obstacles entre eux. Assurez-vous également d'être dans la même pièce que l'appareil.

Pour réinitialiser la fonction wifi :

- L'appareil doit être allumé.
- Réinitialisez le wifi en appuyant sur le bouton 'MODE/WIFI' pendant 5 secondes jusqu'à ce que le témoin du wifi clignote rapidement.



Pour désactiver la fonction wifi :

- Réinitialisez le wifi en appuyant sur le bouton 'Mode' pendant 5 secondes jusqu'à ce que le témoin du wifi clignote rapidement.
- Éteignez le wifi en appuyant sur le bouton 'Mode' pendant 5 secondes supplémentaires jusqu'à ce que le témoin du wifi s'éteigne.

Connecter des appareils à plusieurs téléphones

Note : L'autre personne doit d'abord installer l'app Clean Air Optima® sur son téléphone et créer un nouveau compte.

Partager l'appareil en donnant un accès limité :

Vous pouvez choisir de partager un appareil avec plusieurs personnes. Chacune de ces personnes y aura alors accès, mais n'aura pas le droit de gérer les paramètres.

Suivez les instructions ci-dessous pour partager l'appareil avec plusieurs personnes :

1. Sélectionnez l'appareil concerné.
2. Cliquez sur le crayon ou les trois points dans le coin supérieur droit.
3. Sélectionnez « Partager l'appareil ».
4. Choisissez « Ajouter un partage ».
5. Choisissez la méthode de partage, par exemple par e-mail, WhatsApp, SMS, etc., et continuez.
6. L'appareil apparaîtra automatiquement dans l'app Clean Air Optima® ouverte avec l'autre compte.

Partager le dispositif avec un accès complet :

Vous pouvez ajouter une ou plusieurs personnes à votre gestion domestique. Chacune d'elles aura alors accès à tous vos appareils déjà reliés et disposera de tous les droits et autorisations. Vous restez cependant toujours l'administrateur principal.

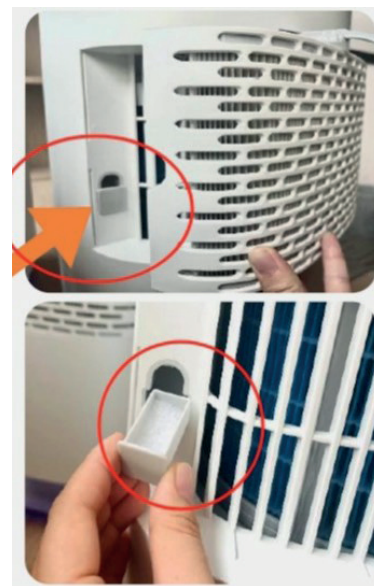
Suivez les instructions ci-dessous pour ajouter quelqu'un à votre gestion domestique :

1. Ouvrez l'app Clean Air Optima® et allez dans « Moi ».
2. Choisissez ensuite « Home Management ».
3. Choisissez « Créer une maison ».
4. Sélectionnez la « Maison » concernée et « Ajouter un membre ».
5. Choisissez la méthode de partage, par exemple par e-mail, WhatsApp, SMS, etc., et continuez.
6. La « Maison » correspondante apparaîtra automatiquement dans l'app Clean Air Optima® de la personne avec laquelle vous avez partagé votre « Maison ».
7. Sur l'autre compte :
Ouvrez la page d'accueil de l'app Clean Air Optima®. Dans le coin supérieur gauche, sélectionnez la « Maison ».

Aromathérapie

Activation de la fonction aromatique :

- Retirez le plateau à arômes de son support.
- Versez 5 à 10 gouttes d'huile essentielle Clean Air Optima[®] sur l'éponge.
- Remplacez le plateau à arômes dans son support.
- Lorsque vous allumez votre humidificateur d'air, la fonction aromatique est activée.
- Si vous souhaitez désactiver la fonction aromatique ou si vous prévoyez de ne pas utiliser l'appareil pendant une période prolongée, retirez l'éponge aromatique du compartiment et lavez-la avec un peu d'eau savonneuse. Laissez-la sécher complètement avant de la replacer dans le compartiment à arômes. L'éponge aromatique est réutilisable.



Important

Afin d'obtenir les meilleurs résultats et de profiter au maximum de votre humidificateur d'air, nous vous conseillons de lire attentivement les instructions suivantes concernant l'utilisation des huiles essentielles dans l'humidificateur d'air CA-806 Smart/ CA-808 Smart.

Utilisation des huiles essentielles dans le CA-806 Smart/ CA-808 Smart

Utilisez nos huiles essentielles de haute qualité et profitez de votre aromathérapie personnelle ! Une sensation olfactive à son plus haut niveau !

Vous trouverez dans notre assortiment des huiles essentielles de haute qualité et présentant de nombreuses senteurs différentes. Ces huiles s'adaptent parfaitement à l'humidificateur d'air CA-806 Smart/ CA-808 Smart et ont été spécialement développées pour être utilisées avec ce modèle d'humidificateur :



Vous pouvez commander les **huiles essentielles** dans notre boutique en ligne à l'adresse www.cleanairoptima.com.

Avertissement !

L'utilisation d'autres huiles essentielles non conçues spécifiquement pour cet humidificateur d'air, ou d'autres additifs (par exemple : parfums et produits de purification de l'eau), risque d'endommager l'humidificateur et EST INTERDITE ! **Ne versez jamais d'autres huiles essentielles pures ou d'autres additifs dans le réservoir d'eau ou le bassin d'eau ! Même une faible quantité de ces produits peut endommager le plastique et provoquer des fissures.** Le matériau n'a pas été conçu pour l'utilisation d'additifs. Une goutte suffit pour endommager le réservoir ou le bassin d'eau, et empêcher l'appareil de fonctionner. Les appareils endommagés par des additifs sont exclus de la garantie.

Nettoyage et entretien

Vous pouvez veiller à ce que votre humidificateur purificateur d'air **Clean Air Optima[®] CA-806 Smart/ CA-808 Smart** fonctionne sans problème pendant des années en suivant quelques procédures d'entretien simples. Si votre eau est dure et contient de fortes concentrations de calcium et d'autres minéraux, de la poussière blanche (calcaire) se déposera avec le temps sur les différentes surfaces de la pièce. Un dépôt blanc (calcaire) se formera également dans le **bassin d'eau** ainsi qu'à l'intérieur du réservoir d'eau. Les dépôts de calcaire nuisent au bon fonctionnement du **humidificateur d'air** ainsi qu'à l'efficacité du fonctionnement hygiénique de l'unité.

Nous recommandons ce qui suit

1. Si vous utilisez l'appareil quotidiennement, nettoyez le **réservoir d'eau** une fois par semaine avec le **Nettoyant & Détartrant Clean Air Optima[®]**.
2. Videz l'eau restante du réservoir d'eau et remplissez-le d'eau fraîche dès qu'il doit être rempli.
3. Nettoyez l'appareil dans son intégralité et gardez toutes les pièces complètement sèches s'il n'est pas utilisé.



Spécialement conçu pour les refroidisseurs d'air, les humidificateurs et les déshumidificateurs **Clean Air Optima[®]**:

- Non agressif
- Protège les matériaux plastiques et céramiques du refroidisseur d'air, de l'humidificateur et du déshumidificateur
- Odeur neutre
- Nettoie et détartré rapidement et en profondeur
- Biodégradable

Vous pouvez commander le **Clean Air Optima[®] Nettoyant & Anticalcaire** dans notre boutique en ligne www.cleanairoptima.com.

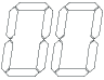
Dépannage



Vous trouverez ci-dessous un guide de dépannage destiné à vous aider à résoudre tous les problèmes que vous pourrez rencontrer lors de l'utilisation de l'humidificateur et Purificateur d'air à **Clean Air Optima® CA-806 Smart/ CA-808 Smart**.

Problème	Cause possible	Solution
Absence de diffusion de brouillard.	<p>La fiche d'alimentation n'est pas branchée.</p> <p>Le bouton MARCHE / ARRÊT n'a pas été activé.</p> <p>Videz le réservoir d'eau.</p> <p>Quantité d'eau insuffisante dans le réservoir.</p>	<p>Branchez l'appareil.</p> <p>Appuyez sur le bouton MARCHE / ARRÊT.</p> <p>Remplissez le réservoir avec de l'eau.</p> <p>Ajoutez de l'eau dans le réservoir.</p>
Le brouillard présente une odeur anormale.	<p>Il s'agit d'un nouvel appareil.</p> <p>Soit il y a de l'eau sale, soit de l'eau stagne depuis trop longtemps.</p>	<p>Retirez le réservoir d'eau, dévissez le couvercle et laissez le réservoir s'aérer dans un endroit frais pendant 12 heures.</p> <p>Nettoyez le réservoir d'eau et remplissez-le avec de l'eau propre.</p>
Le débit du brouillard de pulvérisation est trop faible.	<p>Entartrage minéral trop important dans le bassin d'eau et sur le transducteur.</p> <p>L'eau est trop sale ou est restée trop longtemps à l'intérieur du réservoir.</p>	<p>Nettoyez le bassin d'eau et le transducteur avec : Clean Air Optima® Nettoyant & Anticalcaire.</p> <p>Nettoyez le réservoir d'eau et remplissez-le avec de l'eau propre.</p>
L'appareil est bruyant.	<p>Le réservoir d'eau n'est pas correctement positionné.</p> <p>Quantité d'eau insuffisante dans le réservoir.</p> <p>L'appareil se trouve sur une surface instable.</p>	<p>Positionnez correctement le réservoir d'eau sur sa base.</p> <p>Remplissez le réservoir d'eau.</p> <p>Placez l'appareil sur un support solide et plan.</p>
Un brouillard de pulvérisation s'échappe de la zone située autour de la buse de production de brouillard.	<p>Présence d'un espace libre entre la partie du caisson située autour de la buse et le sommet du réservoir d'eau.</p>	<p>Ôtez la buse à partir du haut du réservoir d'eau et nettoyez-la à l'aide d'un chiffon humide. Remettez le réservoir d'eau en place.</p>
L'appareil ne fonctionne pas avec l'application Clean Air Optima®.	<p>Le Smartphone ou la tablette n'est pas connecté au réseau WiFi.</p> <p>L'appareil n'est pas connecté au réseau.</p>	<p>Allumez l'appareil et réinitialisez le WiFi sur l'appareil en appuyant sur le bouton 'Manuel' veille pendant 5 secondes jusqu'à ce que le témoin du WiFi clignote rapidement. Ensuite, suivez les étapes 3 à 10 du chapitre Fonctionnement avec l'application Clean Air Optima®</p>

Dépannage

Vous trouverez ci-dessous un guide de dépannage destiné à vous aider à résoudre tous les problèmes que vous pourrez rencontrer lors de l'utilisation de l'humidificateur et Purificateur d'air à **Clean Air Optima[®] CA-806 Smart/ CA-808 Smart**.

Problème	Cause possible	Solution
L'écran affiche un double zéro  .	Les filtres doivent être remplacés.	Réinitialisez le minuteur du filtre en appuyant sur le bouton MODE pendant environ 3 secondes. Lorsque le voyant s'éteint, le minuteur est réinitialisé.
L'écran affiche 72H heures.	L'appareil a fonctionné pendant 72 heures et doit être nettoyé. Nettoyez le réservoir d'eau. Appuyez longuement sur le bouton « Chauffage/Nettoyage ». L'appareil quittera le mode « Humidité » et passera en mode Nettoyage.	Appuyez sur le bouton d'alimentation pendant 3 secondes pour réinitialiser.

Symboles	Signification
	Ce symbole signifie que le filtre doit être vérifié et nettoyé si nécessaire avant la mise en marche de l'appareil. Remplacez le filtre tous les 2 à 3 mois.
	Ce symbole signifie que le réservoir d'eau doit être nettoyé tous les 3 jours. Changez l'eau du réservoir d'eau tous les 3 jours. Retirez la fiche de la prise avant de commencer le nettoyage.

Si votre eau est très dure (teneur en minéraux anormalement élevée), il se peut que l'humidificateur produise une poussière blanche. Il ne s'agit pas d'un dysfonctionnement. La solution consiste à remplacer plus souvent le filtre à eau ou à utiliser une eau plus douce, par exemple de l'eau distillée.

AVERTISSEMENT !

Si les solutions recommandées ci-dessus ne fonctionnent pas, veuillez contacter le support technique Clean Air Optima à l'aide du numéro de téléphone correspondant à votre région. N'essayez pas de démonter, de remonter ou de réparer l'appareil, car cela pourrait avoir pour effet d'annuler la garantie.

Spécifications CA-806 Smart

Modèle	CA-806 Smart
Pour des locaux jusqu'à	60 m ² / 150 m ³ / 645 ft ²
Tension nominale	100 V - 240 V, 50/60 Hz
Puissance nominale	30 W - Max. 230 W
Capacité d'humidification de l'air	Min. 250 ml/h - Max. 800 ml/h
Capacité du ventilateur (CADR)	220 m ³ /h
Oxygène actif	< 0,05 ppm
Niveau sonore	Ventilateur silencieux < 25 dB(A)
Dimensions	260 x 260 x 508 mm
Poids	5,0 kg
Réservoir d'eau	8,0 l
Couleur	Blanc avec réservoir d'eau en verre fumé

Spécifications CA-808 Smart

Modèle	CA-808 Smart
Pour des locaux jusqu'à	80 m ² / 200 m ³ / 856 ft ²
Tension nominale	100 V - 240 V, 50/60 Hz
Puissance nominale	30 W - Max. 230 W
Capacité d'humidification de l'air	Min. 300 ml/h - Max. 1000 ml/h
Capacité du ventilateur (CADR)	220 m ³ /h
Oxygène actif	< 0,05 ppm
Niveau sonore	Ventilateur silencieux < 25 dB(A)
Dimensions	260 x 260 x 508 mm
Poids	5,0 kg
Réservoir d'eau	8,0 l
Couleur	Blanc avec réservoir d'eau en verre fumé

Conforme à la réglementation de l'UE CE / WEEE / RoHS

Renseignez-vous auprès de votre détaillant ou de votre municipalité afin d'obtenir des informations mises à jour sur l'évacuation de l'emballage et de l'appareil.



Service après-vente

Certificat de garantie de l'humidificateur et purificateur d'air Clean Air Optima[®] CA-806 Smart/ CA-808 Smart.

Date d'achat :
Nom du client :
Adresse :
Téléphone :
E-mail :
Nom du revendeur :
Adresse :

1. Veuillez remplir intégralement le présent certificat de garantie. Envoyez-le avec la facture et l'appareil, port payé et dans l'emballage d'origine, à votre distributeur. Assurez-vous d'inclure l'affranchissement de retour approprié pour le colis.
2. Veuillez joindre une brève description du dommage, de la panne ou du dysfonctionnement, ainsi que les circonstances à l'origine de ces problèmes.

L'humidificateur et purificateur d'air **Clean Air Optima[®] CA-806 Smart/ CA-808 Smart** est soumis à des procédures d'essai strictes avant de quitter l'usine. Si, dans un délai de 2 ans à compter de la date d'achat, le produit ne fonctionne pas conformément aux spécifications en raison de défauts d'usine, l'acheteur a droit à la réparation ou au remplacement gratuit des pièces défectueuses sur simple présentation de cette garantie (à condition que le dysfonctionnement ou les dommages à l'appareil et/ou à ses éléments soient survenus dans des conditions normales de fonctionnement). Ce qui est couvert par la garantie : Toutes les pièces défectueuses, en raison d'un défaut de matériel ou de fabrication. Durée : deux ans à compter de la date d'achat. Ce que nous ferons : Réparer ou remplacer toute pièce défectueuse.

Autres conditions

Les dispositions de la présente garantie remplacent toute autre garantie écrite, expresse ou implicite, écrite ou orale, y compris toute garantie de qualité marchande ou d'adaptation à un usage particulier. La responsabilité maximale du fabricant ne peut pas excéder le prix d'achat réel que vous avez payé pour le produit. En aucun cas, le fabricant ne pourra être tenu responsable de dommages spéciaux, accidentels, conséquents ou indirects. Cette garantie ne couvre pas les défaillances résultant d'une utilisation ou d'un entretien inapproprié ou déraisonnable, d'un montage incorrect, d'un accident ou de catastrophes naturelles, d'un emballage inadéquat, ou d'une falsification, altération ou modification non autorisée, tels que déterminés à notre seule discrétion. La présente garantie est nulle si l'étiquette portant le numéro de série a été retirée ou effacée.

Ne mettez jamais d'autres huiles essentielles pures ou d'autres additifs dans le réservoir d'eau ou le bassin d'eau ! Même une faible quantité de ces produits peut endommager le plastique et provoquer des fissures.

Merci de votre lecture !



Faites-nous part de vos commentaires sur l'humidificateur et purificateur d'air à Clean Air Optima® CA-806 Smart/ CA-808 Smart sur : www.cleanairoptima.com



Pour les questions fréquemment posées à propos du CA-806 Smart/ CA-808 Smart, accédez à : www.cleanairoptima.com et recherchez le CA-806 Smart/ CA-808 Smart.



Télécharger le manuel d'instructions au format PDF sur : www.cleanairoptima.com/info/manuals



Regarder toutes les vidéos d'animation des produits Clean Air Optima® sur : www.youtube.com

Clean Air Optima International B.V. | Rientjesoven 26 | 7621 HG Borne
Pays-Bas | Téléphone : +31 (0) 74 - 2670145

Clean Air Optima Germany GmbH | Enschedestraße 14 | 48529 Nordhorn
Allemagne | Téléphone : +49 (0) 5921 879-121

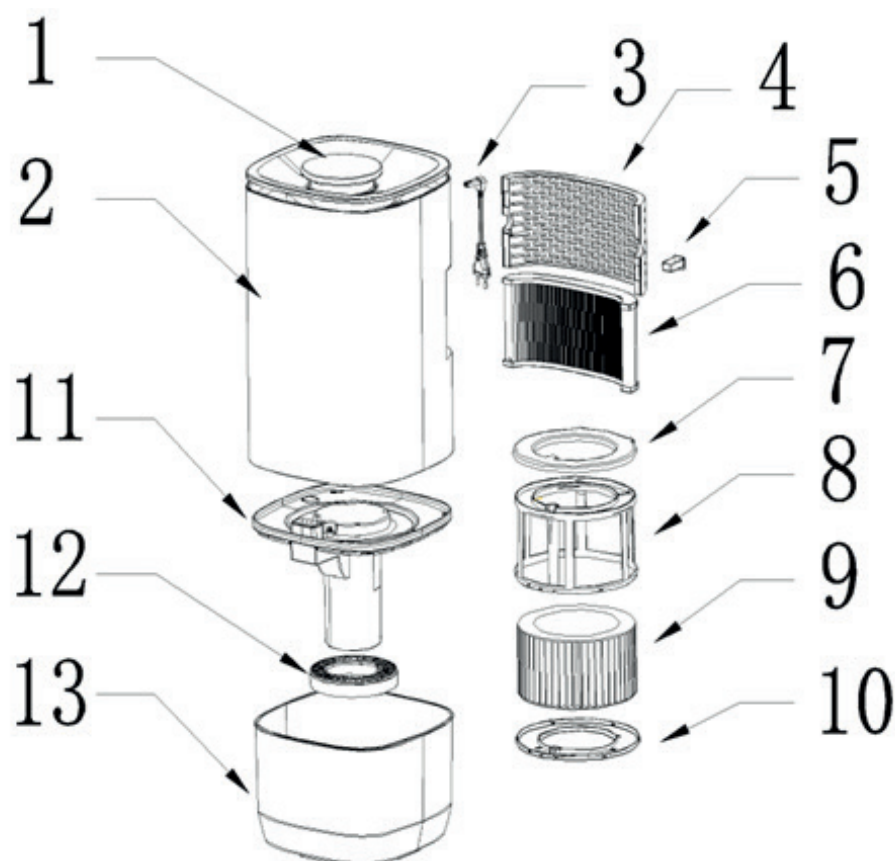
Español

Gracias por la compra del humidificador y purificador de aire evaporativo CA-806 Smart/ CA-808 Smart de Clean Air Optima[®].

Este eficiente y eficaz producto le proporcionará muchos años de aire interior saludable.

En estas instrucciones se explican las medidas de seguridad que debe respetar durante su funcionamiento, las cuales han sido concebidas para evitar daños personales y al propio aparato.

CA-806 Smart/ CA-808 Smart Unidad principal



Descripción del aparato

El aparato consta de los siguientes componentes principales:

- | | |
|--|---|
| 1. Cubierta de la pantalla | 8. Soporte del filtro de agua |
| 2. Carcasa | 9. Filtro de agua |
| 3. Cable de alimentación | 10. Soporte inferior del filtro de agua |
| 4. Rejilla de entrada de aire | 11. Instalación de la bomba de agua |
| 5. Caja de aroma | 12. Filtro hars |
| 6. Filtro HEPA | 13. Depósito de agua |
| 7. Soporte superior del filtro de agua | |

Advertencias de seguridad

Siga estas instrucciones de seguridad siempre que utilice el aparato. Siga estos pasos para limitar al máximo el riesgo de daños personales a causa de, por ejemplo, descargas eléctricas o incendios.

1. Solo para uso en interiores. No utilizar ni guardar al aire libre.
2. Use el voltaje adecuado: CC 220 V - 240 V, 50/60 Hz
3. Este aparato puede ser utilizado por niños a partir de 8 años y por personas con capacidades físicas, sensoriales o mentales reducidas o con falta de experiencia y conocimientos si han recibido supervisión o instrucciones relativas al uso del aparato de forma segura y comprenden los peligros que conlleva. Los niños no deben jugar con el aparato. La limpieza y el mantenimiento del usuario NO deben ser realizados por niños sin supervisión.
4. Debe apagar el dispositivo antes de agregar agua.
5. Asegúrese de que el dispositivo funcione siempre con el depósito de agua lleno.
6. No deje agua en el tanque de agua cuando el aparato no esté en uso.
7. Advertencia: Pueden estar presentes microorganismos en el agua del entorno donde se utiliza o almacena el aparato. Si no se cambia el agua regularmente o no se limpia el tanque cada 3 días, estos microbios pueden crecer en el tanque y evaporarse en el aire, lo que puede causar graves problemas de salud.
8. Cambie el agua cada 3 días.
9. Está estrictamente prohibido tapar la entrada y salida de aire con cualquier cosa cuando el aparato esté en funcionamiento.
10. Por motivos de seguridad, coloque el aparato en una posición horizontal y estable. No lo mueva mientras esté en uso.
11. Para evitar interferencias y daños a otros dispositivos electrónicos, el aparato debe colocarse a una distancia mínima de 1 metro de otros aparatos, como ordenadores, televisores, radios u otros aparatos electrónicos.
12. No utilice el aparato si observa algún daño en el cable eléctrico o el propio aparato. En caso de daños, no repare el aparato por sus propios medios. No mueva el aparato tirando del cable. Si el cable de alimentación ha sufrido algún daño, para evitar descargas eléctricas o incendios debe ser sustituido por un técnico autorizado.
13. Las reparaciones solo pueden ser llevadas a cabo por personal técnico autorizado. Para evitar descargas eléctricas o incendios, no intente reparar el aparato por sus propios medios.
14. Cuando no vaya a utilizar el aparato o vaya a limpiar componentes internos o externos, desenchufe siempre el cable de alimentación.
15. Retire el depósito de agua antes de mover el aparato.
16. Utilice únicamente los cables de corriente suministrados.
17. No utilice el aparato en habitaciones donde se guarden líquidos o gases inflamables, cerca de fuentes de calor o en lugares especialmente húmedos, como cuartos de baño, duchas o piscinas.
18. No introduzca objetos en el aparato; podría provocar averías.
19. Nunca extraiga ni sustituya los componentes internos del aparato.
20. No coloque el aparato en lugares expuestos directamente a la luz del sol, para evitar que se decolore.
21. Nunca sumerja el aparato en agua o cualquier otro líquido.
22. No toque el cable de alimentación con las manos mojadas.

23. Limpie y seque el aparato antes de guardarlo (no deje agua en el interior).

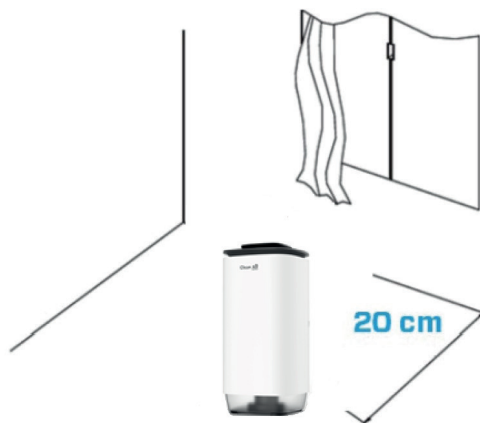
Guárdelo siempre en un lugar fresco y seco lejos del alcance de los niños.

24. No limpie el depósito de agua cuando esta esté caliente.

25. Utilice, mantenga y limpie el aparato siguiendo las instrucciones del manual.

Instalación

Asegúrese de dejar una distancia de 20 cm entre el aparato y las paredes y los muebles como puede verse en la imagen.



Retire primero el sello de los filtros.



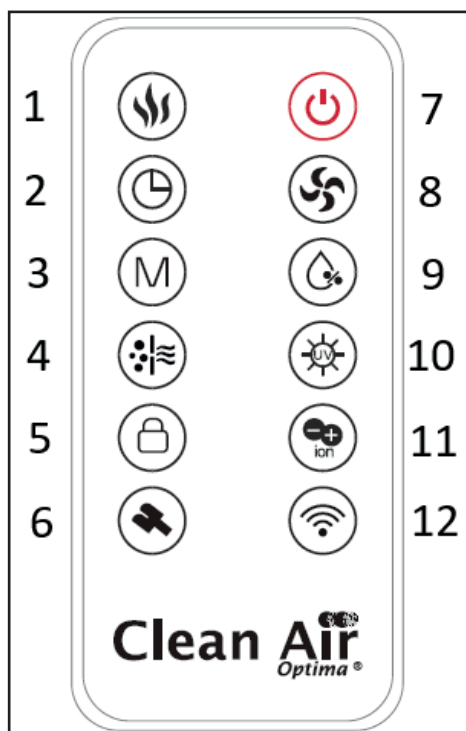
Retire la película protectora de la pantalla.



Mando a distancia

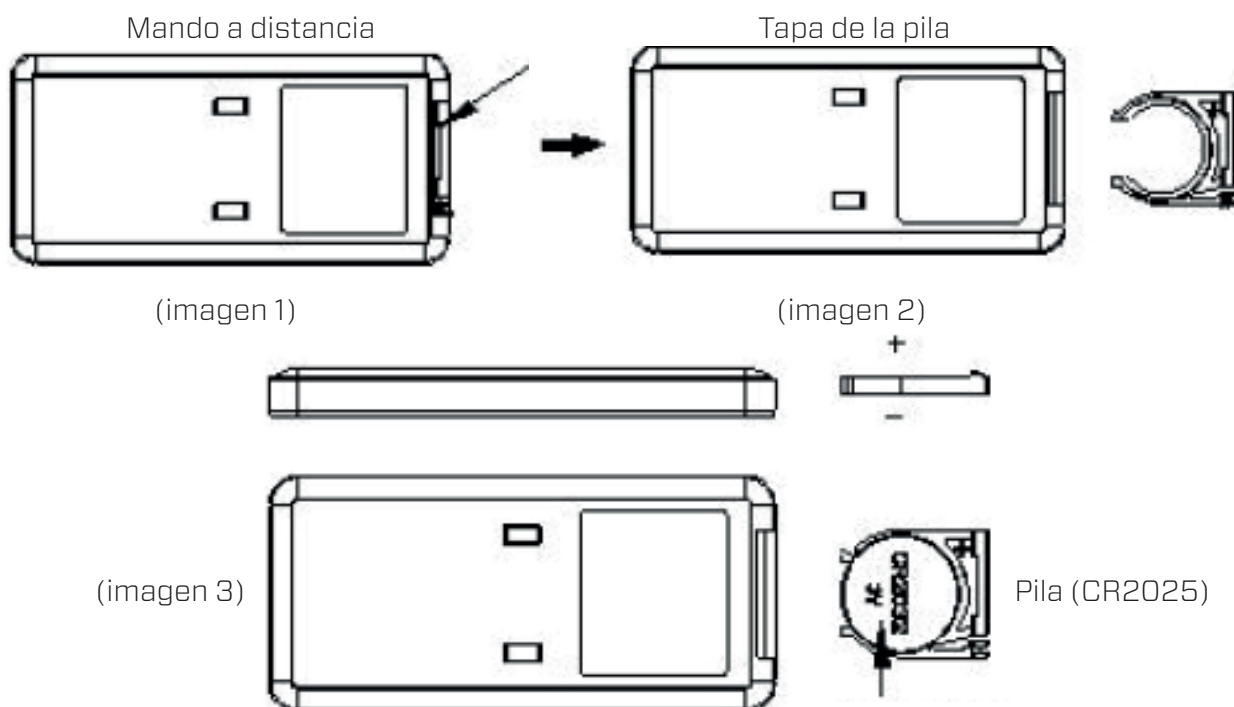
Botones del mando a distancia:

1. Modo calefacción/ Modo limpieza
2. Temporizador
3. Modo
4. Purificación de aire
5. Bloqueo para niños:
6. Modo limpieza
7. ENCENDIDO/APAGADO
8. Nivel de vapor:
9. Humedad
10. Luz UV
11. Iones negativos
12. WIFI



Mando a distancia

1. Abra la tapa de la parte posterior del mando a distancia para colocar la pila (imagen 1).
2. Para colocar la pila, en la parte inferior del mando encontrará una “lengüeta de seguridad”, que deberá desplazar hacia la derecha y a continuación sacar el soporte de la pila (imagen 2). Introduzca la pila con la polaridad en la posición correcta (imagen 3).
3. Vuelva a colocar la tapa del compartimento de la pila.



Instrucciones de uso

Antes de empezar, saque el CA-806 Smart/ CA-808 Smart de Clean Air Optima[®] de su caja y deje que se adapte a la temperatura ambiente durante al menos 30 minutos, especialmente si el aparato está frío por la temperatura exterior. Coloque el aparato sobre una superficie sólida, nivelada y no sensible al agua, al menos a 20 cm de la pared.

El CA-806 Smart & CA-808 Smart está diseñado para funcionar a temperaturas de entre 5 y -40 °C, y a una humedad relativa inferior al 85 %.

Para comenzar, levante la carcasa del cuerpo, que está suelta en el tanque de agua. Retire el filtro de agua de la carcasa de la bomba. Retire la carcasa de la bomba del tanque de agua. Ahora puede llenar el tanque de agua hasta la línea de máximo o puede optar por verter menos agua.

Levante la carcasa del cuerpo



Tapa y filtro del depósito de agua



Grifo de llenado



A continuación, coloque el depósito de agua debajo del **grifo** de llenado. Llene el depósito con agua del grifo (o con agua limpia a una temperatura inferior a 40 °C), y vuelva a colocar la tapa y el filtro.

Llenado por la parte superior

Llenado por la parte superior: El depósito de agua también se puede rellenar con una regadera. Directamente desde la parte superior del humidificador.

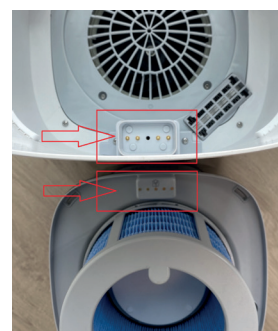
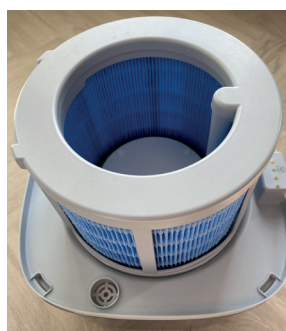


Figura 1.

Figura 2.

Vuelva a colocar el depósito de agua y los filtros (figura 1).

Vuelva a colocar la carcasa sobre el depósito de agua y deslícela sobre el filtro de modo que los puntos de contacto queden uno contra otro (Figura 2).



Enchufe el aparato a una toma de corriente adecuada; sonará una señal para indicar que el aparato está en modo de espera. Al encenderse o apagarse el humidificador, aparecerán los valores de humedad.

Botón de encendido/apagado:

Presione el botón de encendido en modo de espera para activar el humidificador:

- Cuando haya agua en el depósito, se oirá un pitido y la máquina entrará en modo de funcionamiento. Estado inicial de la máquina: la máquina funciona en la velocidad 3, el icono UV se ilumina y la bomba de agua comienza a funcionar.
- Presione este botón en modo de funcionamiento: la máquina entra en modo de secado al aire y entra en modo de espera después de secar al aire. La máquina está en modo de funcionamiento (excepto cuando la función de bloqueo para niños está activada). Presione el botón de encendido/apagado para entrar en el programa de secado al aire.

El proceso de secado al aire funciona de la siguiente manera:

- La máquina funciona en la velocidad 4, el icono de “Calentamiento PTC activado” se ilumina y los demás iconos de la pantalla digital se apagan. La máquina se apaga después de ejecutar el programa de secado al aire durante 50 minutos y entra en modo de espera. (Nota: La función de calentamiento se apaga automáticamente a los 45 minutos del programa de secado al aire).
- Durante el secado al aire, presione el botón de encendido/apagado para que la máquina salga del modo de secado al aire y entre en modo de espera.

Botón UV/Botón de iones negativos:

El dispositivo se enciende con la lámpara UV encendida. Presione el botón de nuevo para apagarla. Para encender el ionizador, mantenga presionado el botón durante 3 segundos. Presione el botón de nuevo durante 3 segundos para apagarlo.

La función de esterilización UV elimina las bacterias presentes en el flujo de aire de salida de vapor, antes de que este entre en la habitación.

El **Botón de iones negativos** activa el generador de iones negativos con una capacidad total de más de 3 000 000 iones negativos/cm³, que se extienden por toda la habitación y neutralizan los contaminantes y los olores. Los iones negativos se adhieren a las partículas de polvo, microorganismos y otras partículas perjudiciales del aire, y se conectan entre sí. De esta manera, las partículas se vuelven más pesadas que el aire y caen al suelo, de modo que ya no pueden inhalarse.

Los iones negativos se encuentran sobre todo en el bosque, en las montañas y en el mar. Estos iones aseguran un aire fresco y saludable.

Botón de Humedad:

Pulsando repetidamente el **Botón de Humedad**, se selecciona el nivel de humedad deseado (del 30 % al 80 % en incrementos del 5 %). Para dejar seleccionado el nivel de humedad, simplemente deje de pulsar el botón.

Después de la configuración, la pantalla parpadeará una vez por segundo y luego tres veces seguidas para mostrar el valor actual. Después de parpadear, se muestra la humedad actual, con un rango de visualización de 20-90% de humedad relativa.

La velocidad no se ve afectada durante los primeros 2 minutos después de que el dispositivo entre en modo de humedad constante. Después de 2 minutos, el ventilador funciona según el siguiente programa:

1. Cuando la humedad alcanza o supera la humedad configurada, el dispositivo deja de humidificar y el ventilador funciona a la velocidad 1;
2. Cuando la humedad real es inferior al 2% configurado, el aparato continúa humedeciendo a velocidad 2;
3. Cuando la humedad real es inferior al 4% configurado, el aparato continúa humedeciendo a velocidad 3;
4. Cuando la humedad real es inferior al 6% configurado, el aparato continúa humedeciendo a velocidad 4.

Nota: Si se cambia la velocidad durante el modo de humedad constante, el dispositivo funcionará a la velocidad configurada durante 2 minutos y repetirá el procedimiento anterior después de 2 minutos.

Pulse el botón “Humedad”; la máquina mostrará el valor de humedad actual. A continuación, vuelva a pulsar el botón “Humedad” para ajustar el valor de humedad según corresponda.



Botón de Modo/ Botón WiFi:

Al pulsar el botón de modo por primera vez, el icono de “Modo Automático” se ilumina y parpadea tres veces antes de activar el modo automático. Si se pulsa el botón de modo una segunda vez en tres segundos, el dispositivo entrará en modo de suspensión. El icono de “Modo de Salud” parpadeará tres veces antes de activar el modo de salud. Y así sucesivamente.

El orden de rotación de los botones de modo es el siguiente: modo automático -> modo de salud -> modo de suspensión -> sin ajustes -> modo automático.

Modo automático:

Tras entrar en “Modo automático”, la humedad se ajusta al 68 % y el volumen de vapor se humidifica durante 5 minutos en el nivel 4. Después de 5 minutos, el volumen de vapor se ajusta según los siguientes requisitos:

Cuando la humedad es inferior al 60 %, el volumen de vapor funciona en 4 niveles; cuando la humedad está entre el 60 % y el 63 %, el volumen de vapor funciona en 3 niveles; cuando la humedad está entre el 64 % y el 68 %, el volumen de vapor funciona en 2 niveles; cuando la humedad supera el 68 %, funciona en 1 nivel.

Modo Salud:

Pulse el botón de modo una segunda vez. El icono del “Modo Saludable” parpadeará tres veces por segundo y se activará.

Tras activar el Modo Saludable, el icono del “Modo Saludable” en el panel digital se iluminará; los iones negativos y la luz ultravioleta se activarán, y el dispositivo funcionará en el nivel 3.

Tras activar el Modo Saludable, el dispositivo detecta automáticamente el nivel de humedad óptimo según la temperatura ambiente y aumenta la configuración de humedad en un 5 % según el valor detectado. Por ejemplo, si el valor detectado es del 45 %, la humedad establecida será del 50 %, y así sucesivamente.

Modo de suspensión:

Presione el botón Mode por tercera vez. El ícono de “Modo de suspensión” parpadeará tres veces por segundo y se activará el modo de suspensión:

1. Las funciones que estaban habilitadas antes de que el dispositivo entrara en modo de suspensión (incluyendo UV, temporizador e iones negativos) no se ven afectadas por el modo de suspensión.
2. Después de 10 segundos, cuando el dispositivo entre en modo de suspensión, la pantalla se apaga (excepto el icono «Modo de suspensión») y el dispositivo funciona al 75 % de la velocidad del nivel de nebulización 1.

Cuando el dispositivo detecte que el tanque de agua está vacío durante el modo de suspensión, el ícono de “Escasez de agua” permanecerá encendido, el timbre no sonará y el dispositivo entrará en modo de espera.

Conexión Wi-Fi:

Mantenga presionado el botón “Modo/Wi-Fi” durante 3 segundos. El dispositivo entrará en estado de emparejamiento por Wi-Fi y el icono de Wi-Fi seguirá parpadeando hasta que se haya emparejado correctamente. Mantenga pulsado el botón “Modo/Wi-Fi” durante 3 segundos. El zumbador sonará una vez, el dispositivo saldrá del emparejamiento por Wi-Fi y el icono de Wi-Fi se apagará.



Botón de modo Calefacción/ Botón de Modo Limpieza:

Al pulsar el botón “Calentar”, se activa la función de calentamiento. Este modo garantiza que el filtro de agua se seque de forma rápida y eficaz.

El dispositivo funciona en la posición 4 después de activar la función de calentamiento. No se puede ajustar la velocidad; al hacerlo, se desactivará la función de calentamiento.

Pulse de nuevo el botón “Calentar/Limpieza” para desactivar esta función.

Mantenga pulsado el botón “Calentar/Limpieza”. El dispositivo sale del modo “Calentar/Limpieza” y entra en el modo de limpieza .



Botón de nivel de vapor:

El dispositivo continúa humedeciendo y no se puede ajustar la humedad.

El dispositivo funciona inicialmente en el nivel 3.

El dispositivo tiene 4 niveles. Presione el botón cada vez para alcanzar un nivel en la escala.

La secuencia de niveles de vapor es: 3 -> 4 -> 1 -> 2 -> 3 -> 4 -> 1 -> 2 -> 3... y así sucesivamente.

La bomba de agua funciona continuamente durante los primeros 2 minutos.

Después de 2 minutos, la bomba de agua se detiene durante 3 minutos y luego funciona durante 15 segundos. Luego se detiene durante 3 minutos y vuelve a funcionar durante 15 segundos, y así sucesivamente.



Botón Purificación de aire/ bloqueo para niños:

Pulse el botón “Purificación de aire/Bloqueo para niños” para iniciar el modo de purificación de aire. La bomba de agua se apagará y el dispositivo dejará de mostrar la humedad. El icono de PM2.5 se iluminará para indicar la calidad actual del aire. Pulse de nuevo para volver al modo de humidificación.

Mantenga pulsado el botón “Purificación de aire/Bloqueo para niños” durante 3 segundos; el icono de bloqueo para niños activado se iluminará. Mantenga pulsado el botón “Purificación de aire/Bloqueo para niños” durante otros 3 segundos; el icono de bloqueo para niños desactivado se apagará.



Botón de temporizador:

Con el **Botón del temporizador** se ajusta el temporizador. Esta función determina el número de horas de funcionamiento del humidificador. Puede ajustar el temporizador simplemente pulsándolo una vez por cada hora que desee hacer funcionar el aparato. El temporizador puede ajustarse entre 1 y 12 horas. A medida que pasa el tiempo, las horas van disminuyendo hasta llegar a 00:00, momento en el que se apaga el aparato.

Limpieza después de 72 horas de funcionamiento:

1. Cuando el dispositivo haya estado en funcionamiento durante 72 horas, la pantalla mostrará “72 horas” y seguirá parpadeando hasta que se restablezca el tiempo de limpieza.
2. Mantenga pulsado el botón “Calentar/Limpiar”. El dispositivo saldrá del modo “Humedad” y entrará en el modo Limpieza.
3. Limpie el depósito de agua (recomendado).
4. Mantenga pulsado el botón de encendido/apagado durante 2 segundos para que desaparezca el mensaje de limpieza de “72 horas”. La pantalla mostrará “00 horas” y parpadeará 3 veces. A continuación, mostrará la humedad.
5. Si el dispositivo no ha estado en funcionamiento durante 72 horas, puede restablecer el modo de limpieza manteniendo pulsado el botón de encendido/apagado durante 2 segundos para restablecer el tiempo del dispositivo a 0 y recalcularlo. El icono de humedad mostrará “00H” y parpadeará 3 veces. Se restablece el estado normal de la pantalla.

Cuando el modo de suspensión está activado, no se muestra ningún mensaje de limpieza. Al salir del modo de suspensión, se muestra un mensaje de limpieza.

Indicador de humedad:

Cuando la humedad es inferior al 45 %, la luz del depósito de agua se ilumina en naranja; cuando la humedad está entre el 45 % y el 60 %, se ilumina en azul; y cuando es superior al 60 %, se ilumina en blanco. El valor promedio se utiliza como valor de visualización.

Advertencia de falta de agua:

Cuando el dispositivo detecta que el depósito de agua está vacío, cambia al sistema de calentamiento y secado y entra en modo de escasez de agua. En caso de escasez de agua, la luz indicadora de nivel de agua y la luz colorida del depósito parpadearán en rojo tres veces y emitirán tres pitidos. A continuación, active el sistema de calentamiento y secado con vapor caliente y, tras 30 minutos, pase al modo de espera. O bien, pulse el botón de encendido/apagado para apagar el dispositivo y rellenar el depósito de agua. Después de rellenar el depósito de agua, la luz indicadora de nivel de agua y la luz colorida del depósito se apagarán y el dispositivo pasará al modo de espera.

Descripción del nivel de agua:

Las escalas del depósito de agua son: lleno, falta de agua.

1. Nivel bajo de agua: Cuando la bomba de agua detecta un nivel de agua persistente durante 10 segundos, el dispositivo cambia al estado de nivel bajo de agua.
2. Llenado del depósito de agua: Añada agua cada vez que encienda o apague el dispositivo. Cuando el depósito de agua esté lleno, la pantalla digital parpadeará 5 veces y el zumbador sonará 5 veces. Aparecerá «FUL» en la pantalla.

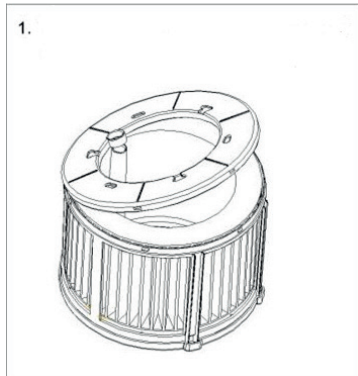
Asegúrese de que el depósito de agua esté siempre completamente lleno.

Limpeza y mantenimiento

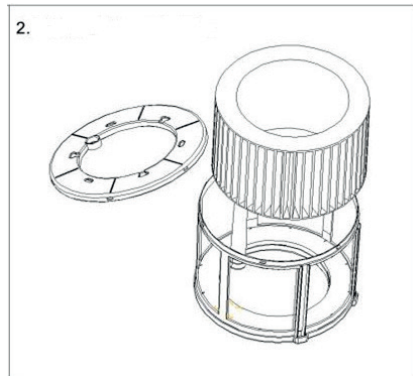
Limpeza del filtro de agua

En algunas zonas, la calidad del agua es deficiente. Tras un uso prolongado, puede acumularse cal o polvo en la superficie del filtro. Puede desmontar el filtro y enjuagarlo con agua limpia. Con un uso normal, se recomienda cambiar el filtro cada seis meses.

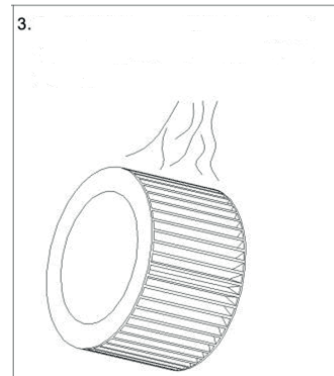
Retire el filtro del dispositivo y desmonte la base.



Retire el filtro.



Enjuague la suciedad de la superficie del filtro con agua del grifo y vuelva a montarlo. Vuelva a colocarlo en el dispositivo.



Limpeza del filtro de agua

En algunas zonas, la calidad del agua es deficiente. Tras un uso prolongado, puede acumularse cal o polvo en la superficie del filtro. Puede desmontar el filtro y enjuagarlo con agua limpia. Con un uso normal, se recomienda cambiar el filtro cada seis meses.

Levante el conjunto de separación del depósito de agua, gire el descalcificador en sentido horario y extráigalo directamente cuando la hebilla esté suelta (Imagen 1).

Enjuague la suciedad de la superficie del filtro de resina con agua del grifo y vuelva a montarlo.

El conducto que señala la flecha en la figura está alineado e insertado. A continuación, gire el descalcificador en sentido antihorario hasta que note la hebilla (Imagen 2).

Imagen 1.

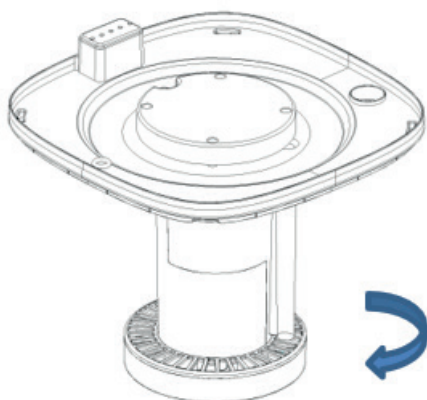
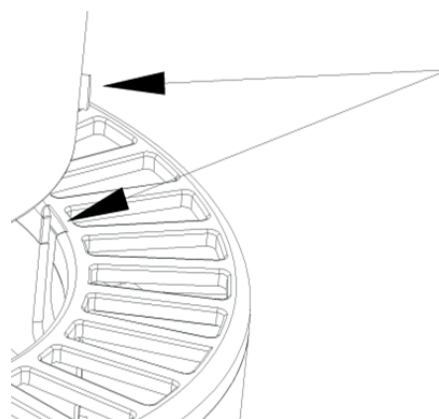


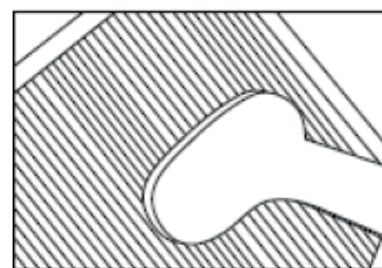
Imagen 2.



Limpeza del filtro HEPA H13

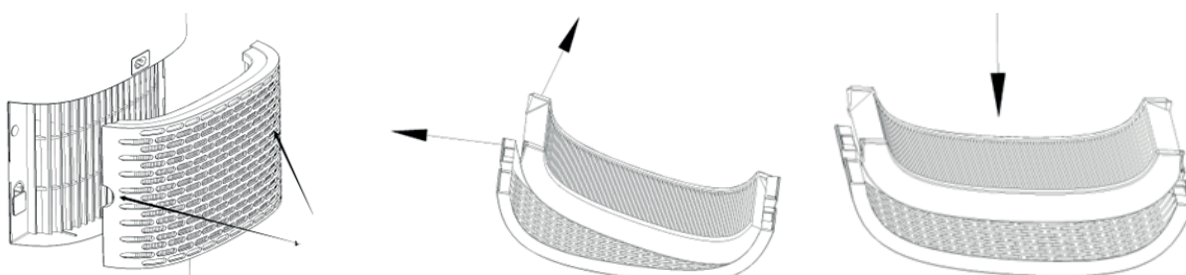
El mejor efecto se consigue limpiando los filtros una vez al mes. Si el aire interior está muy contaminado, puede ser necesaria una mayor limpieza.

Limpe el **prefiltro** y el **filtro HEPA** con un cepillo o con una aspiradora. De esta manera pueden eliminarse del filtro las partículas de polvo más grandes como pelusa, pelo y caspa de las mascotas.



¡Atención! No moje ni enjuague nunca los filtros compuestos (**HEPA + filtro de carbón activo**) con agua.

Saque los filtros del compartimento del bastidor del filtro. Después del cambio o la limpieza del filtro vuelva a instalar los filtros en el compartimento del bastidor y vuelva a montarlos en el aparato, como puede verse en la imagen.



Signos de filtros desgastados

Mayor ruido, reducción de la circulación del aire, filtros congestionados, aumento de olores. El filtro debe ser reemplazado por uno nuevo cuando el filtro HEPA cambie su color de blanco a gris o negro. Si el filtro HEPA permanece blanco, NO es necesario reemplazarlo.

Cómo pedir filtros:

Póngase en contacto con el Servicio de atención al cliente de Clean Air Optima en el tfno. + 31 (0) 742670145 o visite nuestra tienda virtual: <https://www.cleanairoptima.com/-accessoires>

Limpieza del exterior del purificador de aire

1. Apague el aparato y desenchufe el cable.
2. Utilice un paño suave y húmedo para limpiar el aparato de polvo y suciedad.
3. Asegúrese de que **no hay agua** en el aparato.

Limpie los puntos de contacto.



Limpie los puntos de contacto periódicamente con un paño limpio y seco.



Sustitución de filtros



El Clean Air Optima CA-806 Smart / CA-808 Smart cuenta con un mecanismo de control de la vida útil de los filtros que indica la necesidad de sustituirlos (HEPA H13, filtro de agua, filtro de resina y filtro de iones de plata) después de 1000 horas de uso. Para indicar la necesidad

de sustituirlos, el dispositivo emite una luz indicadora de doble cero . Reinicie el temporizador de los filtros manteniendo pulsado el botón nivel de vapor  durante unos 4 segundos. Si la luz indicadora se apaga, el temporizador se ha reiniciado correctamente.

Dependiendo del uso, los filtros tienen una vida útil de aproximadamente 3 a 6 meses. La lámpara UV-C es permanente y no requiere sustitución.

Retire los filtros del compartimento del marco. Tras sustituirlos o limpiarlos, vuelva a colocarlos en el compartimento del marco y vuelva a montarlos en el dispositivo (consulte el capítulo sobre limpieza y mantenimiento).

Colocación/Recolocación del Silver Ion SI-01 Clean Air Optima[®]

El **Silver Ion SI-01** utiliza el efecto antimicrobiano de la plata y previene la proliferación de bacterias y los olores en el agua. El **Silver Ion SI-01** funciona incluso con el humidificador apagado, por lo que el agua se mantiene limpia.

Sustituya el **Silver Ion SI-01** al comienzo de la temporada del humidificador o después de un año de uso.

Sustitución del Silver Ion SI-01:

Para comenzar, levante la carcasa del cuerpo, que está suelta en el tanque de agua. Retire el filtro de agua de la carcasa de la bomba. Retire la carcasa de la bomba del tanque de agua.

Sustitución del Silver Ion SI-01:

Para comenzar, levante la carcasa del cuerpo, que está suelta en el tanque de agua. Retire el filtro de agua de la carcasa de la bomba. Retire la carcasa de la bomba del tanque de agua.

Levante la carcasa
del cuerpo



Tapa y filtro del depósito de agua



Silver Ion SI-01



1. Saque el **Silver Ion SI-01** usado.
2. Introduzca el nuevo **Silver Ion SI-01**.

Tire el **Silver Ion SI-01** en la basura doméstica normal.

No utilice el **Silver Ion SI-01** durante más tiempo del especificado.

El **Silver Ion SI-01** puede adquirirse en nuestra tienda online, en www.cleanairoptima.com

Almacenamiento del deshumidificador/ purificador de aire Clean Air Optima[®]

Si no va a utilizar el deshumidificador/purificador de aire durante un periodo prolongado:

1. Primero, vacíe y seque el depósito de agua.
2. Ejecute el programa de secado al aire (consulte la sección “Botón de encendido”).
3. Desenchufe el dispositivo y enrolle el cable de alimentación.
4. Retire y limpie los filtros. Vuelva a colocarlos después de la limpieza.
5. Guarde el dispositivo en un lugar fresco y seco, alejado de la luz solar directa, temperaturas extremas y exceso de polvo.
5. Si no va a utilizar el dispositivo durante un periodo prolongado, es recomendable colocarle una funda protectora para evitar la acumulación de polvo. Esto puede causar problemas de limpieza y mantenimiento en el futuro.

Limpieza del tanque de agua

El agua debe cambiarse periódicamente en el depósito de agua. El agua no debe permanecer en el tanque de agua por más de 3 días.

- Tenga en cuenta que la alta humedad puede promover el crecimiento de organismos biológicos en el medio ambiente.
- No permita que el área alrededor del humidificador se humedezca o moje. Si se produce humedad, reduzca la salida del humidificador. Si no se puede reducir el volumen de salida del humidificador, utilice el humidificador de forma intermitente. No permita que los materiales absorbentes como alfombras, cortinas, cortinas o manteles se humedezcan.
- Extraiga el enchufe de la toma durante el llenado y la limpieza.
- No deje nunca agua en el depósito cuando el aparato no esté en uso.
- Vacíe y limpie el humidificador antes de guardarlo. Limpie el humidificador antes del próximo uso.
- Limpie el interior del depósito de agua con un detergente suave y enjuague con agua limpia.

Advertencia: Los microorganismos que pueden estar presentes en el agua o en el entorno donde se usa el dispositivo pueden crecer en el tanque de agua y ser expulsados al aire. Esto puede generar riesgos para la salud si no se cambia el agua y el tanque no se limpia correctamente cada 3 días.



Funcionamiento con la aplicación Clean Air Optima[®]

Conectividad

Compatibilidad con smartphone y tableta:
dispositivos iPhone, iPad y Android

El aparato se conecta a través de WiFi con la aplicación:
CleanAirOptima

Atención: El enrutador debe configurarse en la banda ancha de 2,4 GHz. Si el enrutador está configurado en 5,0 GHz, es imposible establecer una conexión.

Configurar la conexión WiFi

1. Descargue e instale la aplicación "CleanAirOptima" en App Store o Google Play Store.
2. Cree una cuenta e inicie sesión.
3. El router debe estar configurado en la banda ancha de 2,4 GHz. Si el router está configurado a 5,0 GHz, no podrá establecerse ninguna conexión.
4. Asegúrese de que está activado el Bluetooth en su smartphone.
5. Enchufe el aparato a la corriente y enciéndalo. El indicador WiFi parpadeará. Si la luz WiFi no parpadea, presione el botón 'MODE/ WiFi' durante 5 segundos. Entonces la luz WiFi parpadeará rápidamente. Si la luz WiFi parpadea rápidamente, el dispositivo está listo para conectarse.
6. Asegúrese de que su smartphone o tableta esté conectado correctamente a su red WiFi.
7. Abra la aplicación 'CleanAirOptima' y haga clic en 'Añadir dispositivo' . Su dispositivo aparece en la lista y puede seleccionarlo. De lo contrario, elija 'Escaneo automático'. Siga las instrucciones de la pantalla para conectar el dispositivo a su red.
8. Seleccione Clean Air Optima[®] en la aplicación y siga las instrucciones de esta.
9. Cuando el aparato esté sincronizado, el indicador WiFi  quedará encendido.
10. Una vez finalizada la configuración, podrá usar el aparato mediante la aplicación Clean Air Optima[®].

Nota:

- Si su red predeterminada ha cambiado, restablezca la conexión WiFi, siguiendo los pasos del 1 al 10 en la sección 'Configurar conexión WiFi'.
- Si desea emparejar varios aparatos con su smartphone o tableta, debe hacerlo uno tras otro.
- Asegúrese de que la distancia entre su smartphone o tableta y el aparato sea inferior a 5 metros y que no haya obstáculos. También asegúrese de estar en la misma habitación que el aparato.

Restablecer la función WiFi:

- El aparato debe estar encendido.
- Reinicie el WiFi presionando el botón 'MODE/ WiFi' durante 5 segundos; el indicador WiFi parpadeará rápidamente.



Desconexión de la función WiFi:

- Reinicie el WiFi presionando el botón 'Mode' durante 5 segundos; el indicador WiFi parpadeará rápidamente.
- Desconecte el WiFi presionando el botón 'Mode' durante otros 5 segundos; el indicador WiFi se apagará.

Conecte los dispositivos a varios teléfonos

Nota: En primer lugar, la otra persona debe instalar la aplicación Clean Air Optima[®] en su teléfono y crear una nueva cuenta.

Comparta el dispositivo con acceso limitado:

Puede optar por compartir un dispositivo con varias personas.

Esta persona tendrá entonces acceso, pero no podrá gestionar todos los ajustes.

Siga las instrucciones que aparecen a continuación para compartir el dispositivo con varias personas:

1. Vaya al dispositivo correspondiente.
2. Vaya al lápiz o a los tres puntos de la parte superior derecha.
3. Seleccione "Compartir dispositivo".
4. Seleccione "Añadir uso compartido".
5. Elija el método para compartir, por ejemplo, por correo electrónico, whatsapp, sms, etc. y continúe.
6. El dispositivo aparecerá automáticamente en la aplicación Clean Air Optima[®] con la otra cuenta.

Comparta el dispositivo con acceso total:

Puede añadir una o varias personas a la gestión de su casa.

Dichas personas tendrán entonces acceso a todos los dispositivos que ya están vinculados y tendrán todos los derechos y permisos. Usted seguirá siendo siempre el administrador principal.

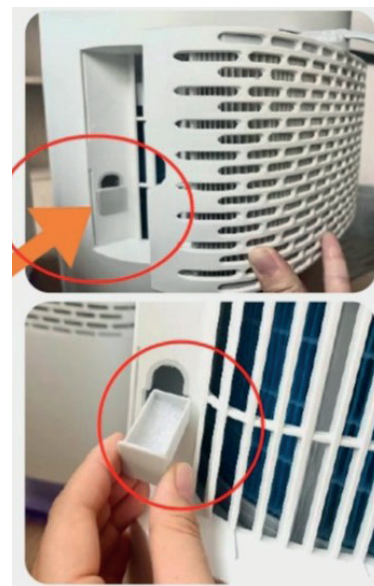
Siga las siguientes instrucciones para añadir a alguien a la gestión de su casa:

1. Abra la aplicación Clean Air Optima[®] y vaya a "Yo".
2. A continuación, elija "Gestión de la casa".
3. Elija "Crear casa".
4. Seleccione la "Casa" correspondiente y "Añadir miembro".
5. Elija el método para compartir, por ejemplo, por correo electrónico, whatsapp, sms, etc. y continúe.
6. La "Casa" correspondiente aparecerá automáticamente en la aplicación Clean Air Optima[®] de la persona con la que se haya compartido la "Casa".
7. En la otra cuenta:
Vaya a la pantalla de inicio desde la aplicación Clean Air Optima[®]. Vaya a la parte superior izquierda y seleccione la opción "Casa".

Aromaterapia

Activación de la función de aromas:

- Retire la bandeja de aromas del soporte.
- Impregne la esponja con unas 5-10 gotas de aceite esencial Clean Air Optima[®].
- Vuelva a colocar la bandeja de aromas en el soporte.
- Al encender el humidificador de aire, se activa la función de aromas.
- Si desea desactivar la función de aromas, o si no va a utilizar el aparato durante un periodo de tiempo considerable, saque la esponja aromática del compartimento y lávela con un poco de agua y jabón suave. Deje que se seque completamente antes de volver a colocarla en el compartimento de aromas. En principio, la esponja aromática es reutilizable.



Importante

Para obtener los mejores resultados y disfrutar al máximo de su humidificador de aire, le aconsejamos que lea atentamente las siguientes instrucciones sobre el uso de los aceites esenciales en el humidificador CA-806 Smart/ CA-808 Smart.

Uso de aceites esenciales en el CA-806 Smart/ CA-808 Smart

¡Utilice nuestros aceites esenciales de alta calidad, disfrute de su propia aromaterapia y de una sensación aromática al máximo!

En nuestro surtido encontrará aceites esenciales de alta calidad con una gran variedad de aromas diferentes, perfectamente adaptados al humidificador CA-806 Smart/ CA-808 Smart y especialmente elaborados para su uso con este aparato:



Nuestros **aceites esenciales** están disponibles en nuestra tienda online, en www.cleanairoptima.com

¡Atención!

El uso de otros aceites esenciales no elaborados para este humidificador de aire u otros aditivos (fragancias y productos de purificación de agua, etc.) puede dañar el humidificador. **¡NO los utilice! ¡Nunca utilice otros aceites esenciales puros u otros aditivos en el depósito de agua ni en la cuenca! Cualquier cantidad, por pequeña que sea, puede dañar el plástico y producir grietas.**

El material no está concebido para el uso de aditivos. Una simple gota es suficiente para dañar el depósito y la cuenca de agua e inutilizar el aparato. Los aparatos dañados por aditivos no están cubiertos por la garantía.

Limpieza y mantenimiento

Con un sencillo procedimiento de mantenimiento garantizará que su humidificador de aire y purificador de aire **Clean Air Optima[®] CA-806 Smart/ CA-808 Smart** funcione sin problemas durante muchos años. Si su agua es dura y contiene altas concentraciones de calcio y otros minerales, con el tiempo empezará a depositarse polvo blanco (cal) en las distintas superficies de la habitación. También se formará un depósito calcáreo en la **cubeta de agua** y en el interior del depósito de agua. Estos depósitos afectarán al funcionamiento del **humidificador de aire** y a la función higiénica del aparato.

Por eso recomendamos

1. Si utiliza el aparato a diario, limpie el **depósito de agua** una vez a la semana con el producto **limpiador descalcificador Clean Air Optima[®]**.
2. Cuando necesite rellenar el depósito de agua, vacíelo antes por completo y llénelo con agua limpia.
3. Limpie todo el aparato y asegúrese de que todos los componentes están completamente secos cuando no lo utilice.



Especialmente creado para los climatizadores, humidificadores y deshumidificadores **Clean Air Optima[®]**:

- No agresivo
- Protege los materiales plásticos y cerámicos del refrigerador, humidificador y deshumidificador
- Olor neutro
- Limpia y descalcifica rápidamente y en profundidad
- biodegradable

Puede comprar el **limpiador y descalcificador Clean Air Optima[®]** en nuestra tienda en línea www.cleanairoptima.com.


Solución de problemas



A continuación encontrará una guía de posibles problemas y soluciones para ayudarle a resolver cualquier incidencia con su **humidificador y purificador de aire CA-806 Smart/CA-808 Smart Clean Air Optima[®]**.

Problema	Causa posible	Solución
No hay vaporización.	<p>El aparato no está enchufado.</p> <p>No se ha pulsado el botón de encendido/apagado.</p> <p>El depósito de agua está vacío.</p> <p>No hay suficiente agua en el depósito.</p>	<p>Enchufe el aparato.</p> <p>Apriete el botón.</p> <p>Llene el depósito de agua.</p> <p>Añada más agua al depósito.</p>
El vapor tiene un olor extraño.	<p>El aparato es nuevo.</p> <p>El depósito tiene agua sucia o el agua ha estado estancada durante demasiado tiempo.</p>	<p>Retire el depósito de agua, desenrosque la tapa y deje que se ventile en un lugar fresco durante 12 horas.</p> <p>Limpie el depósito y vuelva a llenarlo con agua limpia.</p>
La vaporización es demasiado baja.	<p>El depósito y el transductor contienen demasiada cal.</p> <p>El agua está demasiado sucia o se ha mantenido demasiado tiempo en el depósito.</p>	<p>Limpie el depósito de agua y el transductor con: Limpiador y descalcificador Clean Air Optima[®].</p> <p>Limpie el depósito y vuelva a llenarlo con agua limpia.</p>
Ruido en el aparato.	<p>El depósito de agua no está bien colocado.</p> <p>No hay suficiente agua en el depósito.</p> <p>El aparato no está colocado en una superficie estable.</p>	<p>Coloque correctamente el depósito de agua en la base.</p> <p>Vuelva a llenar el depósito de agua.</p> <p>Coloque el aparato sobre una superficie sólida y estable.</p>
El vapor sale por los lados de la boquilla.	<p>Hay huecos entre la carcasa de los lados de la boquilla y la parte superior del depósito de agua.</p>	<p>Retire la boquilla de la parte superior del depósito, límpiela con un paño húmedo y, a continuación, vuelva a colocarla en el depósito.</p>
El aparato no funciona con la aplicación Clean Air Optima [®] .	<p>El smartphone o la tableta no están conectados a la red WiFi.</p> <p>El dispositivo no tiene conexión a la red.</p>	<p>Apague el dispositivo y reinicie el WiFi en el mismo presionando el botón de 'Manual' de reposo durante 5 segundos; el indicador WiFi parpadeará rápidamente. A continuación siga los pasos 3 a 10 de la sección Funcionamiento con la aplicación Clean Air Optima[®].</p>

Solución de problemas

A continuación encontrará una guía de posibles problemas y soluciones para ayudarle a resolver cualquier incidencia con su **humidificador y purificador de aire CA-806 Smart/CA-808 Smart Clean Air Optima[®]**.

Problema	Causa posible	Solución
La pantalla muestra un doble cero  .	Es necesario cambiar los filtros.	Reinicie el temporizador del filtro manteniendo pulsado el botón MODE durante unos 3 segundos. Cuando la luz indicadora se apague, el temporizador se habrá reiniciado correctamente.
La pantalla muestra 72H horas.	El aparato lleva 72 horas funcionando y necesita limpieza. Limpie el depósito de agua. Mantenga pulsado el botón "Calentar/Limpiar". El dispositivo saldrá del modo "Humedad" y entrará en el modo Limpieza.	Pulse el botón de encendido durante 3 segundos para reiniciar.

Simbolos	Significado
	Este símbolo significa que el filtro debe revisarse y limpiarse si es necesario antes de poner en marcha el aparato. Reemplace el filtro cada 2 a 3 meses.
	Este símbolo significa que el depósito de agua debe limpiarse cada 3 días. Cambie el agua del depósito de agua cada 3 días. Retire el enchufe de la toma de corriente antes de empezar a limpiar.

Si su agua es muy dura (contiene niveles anormalmente altos de minerales) el humidificador puede generar polvo blanco. Esto no supone ningún defecto. La solución sería reemplazar el filtro de agua con mayor frecuencia o utilizar agua más blanda, agua destilada por ejemplo.

¡ATENCIÓN!

Si las soluciones propuestas no resuelven el problema, póngase en contacto con el servicio técnico de Clean Air Optima llamando al número de teléfono de su región. No intente desmontar, volver a montar o reparar el aparato, ya que la garantía quedaría invalidada.

Especificaciones CA-806 Smart

Modelo	CA-806 Smart
Para habitaciones de hasta	60 m ² / 150 m ³ / 645 pies ²
Tensión nominal	100 V - 240 V, 50/60 Hz
Potencia nominal	30 W - Máx. 230 W
Capacidad de humidificación del aire	Mín. 250 ml/h - Máx. 800 ml/h
Capacidad del ventilador (CADR)	220 m ³ /h
Oxígeno activo	<0,05 ppm
Nivel de ruido	Ventilador silencioso <25 dB (A)
Dimensiones	260 x 260 x 508 mm
Peso	5,0 kg
Depósito de agua	8,0 L
Color	Blanco con depósito de agua de cristal ahumado

Especificaciones CA-808 Smart

Modelo	CA-808 Smart
Para habitaciones de hasta	80 m ² / 200 m ³ / 856 pies ²
Tensión nominal	100 V - 240 V, 50/60 Hz
Potencia nominal	30 W - Máx. 230 W
Capacidad de humidificación del aire	Mín. 300 ml/h - Máx. 1000 ml/h
Capacidad del ventilador (CADR)	220 m ³ /h
Oxígeno activo	<0,05 ppm
Nivel de ruido	Ventilador silencioso <25 dB (A)
Dimensiones	260 x 260 x 508 mm
Peso	5,0 kg
Depósito de agua	8,0 L
Color	Blanco con depósito de agua de cristal ahumado

Conformidad con reglamentación UE CE / WEEE / RoHS

Infórmese en su establecimiento o en su municipio sobre cómo desechar este aparato y su embalaje.



Servicio

Certificado de garantía del humidificador y purificador de aire CA-806 Smart/ CA-808 Smart Clean Air Optima®.

Fecha de compra:
Nombre del cliente:
Dirección:
Teléfono:
Correo electrónico:
Nombre del vendedor:
Dirección:

1. Rellene todos los campos de datos de este certificado de garantía. Envíelo a su distribuidor (junto con la factura y el aparato) con franqueo pagado y en el embalaje original. No olvide incluir el franqueo de retorno pertinente para el paquete.

2. Incluya una descripción breve de los daños, la anomalía o el fallo en cuestión, así como las circunstancias en las que se produjeron estos problemas.

El **humidificador y purificador de aire CA-806 Smart/ CA-808 Smart de Clean Air Optima®** se somete a rigurosos procedimientos de prueba antes de salir de fábrica. Si dentro del plazo de dos años desde la fecha de compra, el producto no funciona conforme a las especificaciones, por defectos de fábrica, el comprador tiene derecho a una reparación gratuita o a la sustitución de las piezas con la presentación de esta garantía (siempre que el defecto de funcionamiento o los daños del aparato o sus piezas se hayan producido haciendo un uso normal del mismo). Cobertura de la garantía: todas las piezas con defectos de materiales o mano de obra. Duración: dos años a partir de la fecha de compra. Nuestra tarea: reparar o sustituir las piezas defectuosas.

Otras condiciones

Las disposiciones de esta garantía sustituyen a cualquier otra garantía escrita, ya sea explícita o implícita, por escrito u oral, incluida cualquier garantía de comerciabilidad o idoneidad para un propósito concreto. El importe máximo en concepto de responsabilidad del fabricante no será en ningún caso superior al importe pagado por el producto. En ningún caso el fabricante podrá hacerse responsable de daños especiales, incidentales, resultantes o indirectos. Esta garantía no cubre los defectos resultantes del uso o mantenimiento incorrecto o poco razonable, montaje defectuoso, accidente, catástrofes naturales, embalaje incorrecto o manipulación, alteración o modificación no autorizada, según nuestro criterio exclusivo. Esta garantía quedará anulada si se despega o altera la etiqueta del número de serie.

¡Nunca utilice otros aceites esenciales puros u otros aditivos en el depósito de agua ni en la cuenca! Cualquier cantidad, por pequeña que sea, puede dañar el plástico y causar grietas.

¡Gracias por su atención!



Comparta su opinión sobre el humidificador y purificador de aire CA-806 Smart/ CA-808 Smart de Clean Air Optima® en www.cleanoptima.com.



Consulte las preguntas frecuentes sobre el CA-806 Smart/ CA-808 Smart en www.cleanoptima.com (busque CA-806 Smart/ CA-808 Smart).



Descargue el manual de instrucciones en PDF en www.cleanoptima.com/info/manuals



Puede ver todos los videos de los productos Clean Air Optima® en www.youtube.com.

Clean Air Optima International B.V. | Rientjesoven 26 | 7621 HG Borne
Países Bajos | Teléfono: +31 (0) 74 - 2670145

Clean Air Optima Germany GmbH | Enschedestraße 14 | 48529 Nordhorn
Alemania | Teléfono: +49 (0) 5921 879-121

E-mail: info@cleanoptima.com

Internet: www.cleanoptima.com

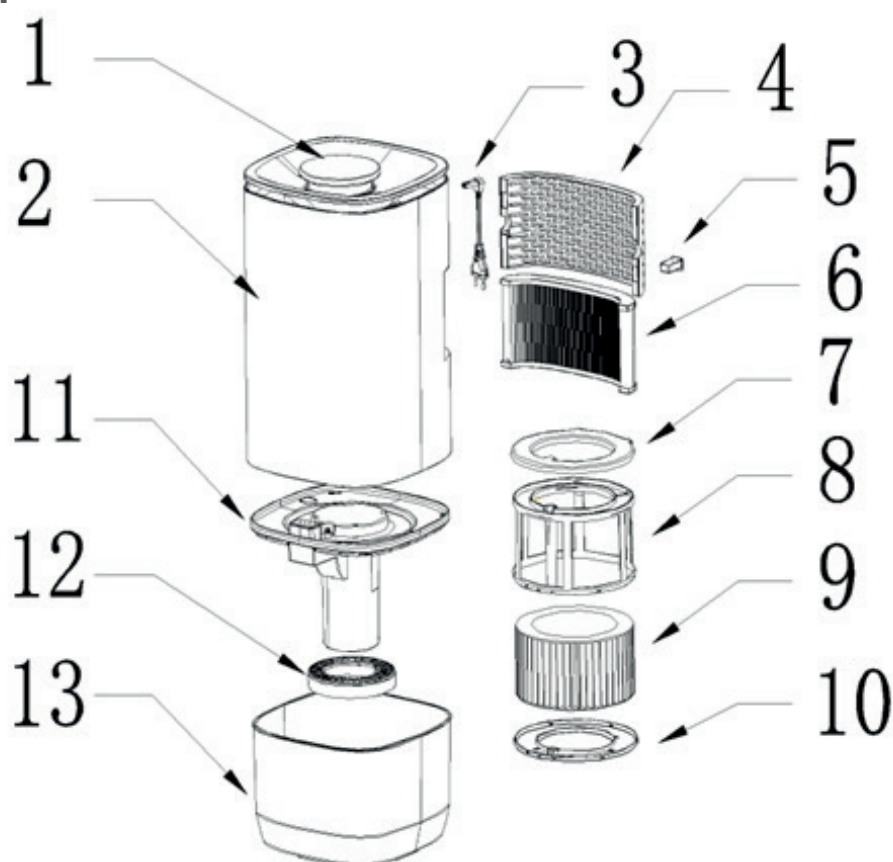
Italian

Grazie per aver acquistato l'umidificatore e purificatore d'aria evaporativo Clean Air Optima[®] CA-806 Smart/CA-808 Smart.

Vi auguriamo molti anni di aria sana negli ambienti interni con questo prodotto efficiente ed efficace.

Queste istruzioni descrivono le precauzioni di sicurezza da osservare durante il funzionamento. Sono pensate per prevenire lesioni e danni al dispositivo.

CA-806 Smart/ CA-808 Smart Unità principale



Descrizione del dispositivo

Il dispositivo è composto dai seguenti componenti principali:

- | | |
|---|--|
| 1. Coperchio del display | 8. Supporto del filtro dell'acqua |
| 2. Alloggiamento del corpo | 9. Filtro dell'acqua |
| 3. Cavo di alimentazione | 10. Supporto inferiore del filtro dell'acqua |
| 4. Griglia di aspirazione dell'aria | 11. Installazione della pompa dell'acqua |
| 5. Contenitore per aromi | 12. Filtro dell'acqua |
| 6. Filtro HEPA | 13. Serbatoio dell'acqua |
| 7. Supporto superiore del filtro dell'acqua | |

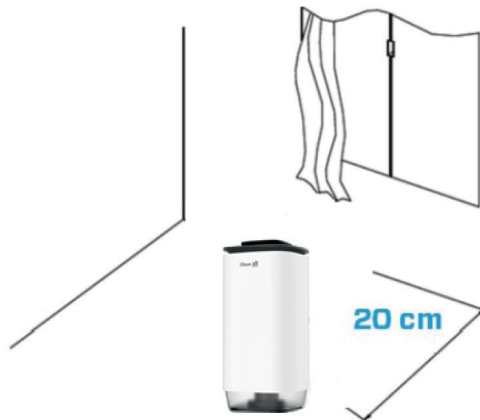
Avvertenze di sicurezza

Questo dispositivo può essere utilizzato solo in conformità con le presenti istruzioni di sicurezza. Adottare le seguenti misure per ridurre al minimo il rischio di lesioni personali causate, ad esempio, da scosse elettriche o incendi.

1. Solo per uso interno. Non utilizzare o conservare all'esterno.
2. Utilizzare la tensione corretta: CA 220 V - 240 V, 50/60 Hz.
3. Il dispositivo può essere utilizzato da bambini dagli 8 anni in su e da persone con capacità fisiche, sensoriali o mentali ridotte o con scarsa esperienza e conoscenza, a condizione che siano supervisionati o abbiano ricevuto istruzioni sull'uso sicuro del dispositivo e ne comprendano i pericoli. I bambini non devono giocare con il dispositivo. La pulizia e la manutenzione NON devono essere eseguite da bambini senza supervisione.
4. È necessario spegnere il dispositivo prima di aggiungere acqua.
5. Assicurarsi che il dispositivo funzioni sempre con il serbatoio pieno d'acqua.
6. Non lasciare acqua nel serbatoio quando il dispositivo non è in uso. 7. Avvertenza: nell'ambiente in cui il dispositivo viene utilizzato o conservato, potrebbero essere presenti microrganismi nell'acqua. Se l'acqua non viene cambiata regolarmente o il serbatoio non viene pulito ogni 3 giorni, questi microbi possono proliferare nel serbatoio ed evaporare nell'aria, causando gravi problemi di salute.
8. Cambiare l'acqua ogni 3 giorni.
9. È severamente vietato coprire l'ingresso e l'uscita dell'aria con qualsiasi oggetto quando il dispositivo è in funzione.
10. Per utilizzare il dispositivo in sicurezza, posizionarlo in posizione orizzontale e stabile. Non muoverlo durante l'uso.
11. Per evitare interferenze e danni ad altri dispositivi elettronici, questo dispositivo deve essere posizionato ad almeno 1 metro di distanza da computer, televisori, radio o altre apparecchiature elettroniche.
12. Non utilizzare il dispositivo se il cavo elettrico o il dispositivo stesso presentano danni visibili. Non riparare il dispositivo autonomamente in caso di danni. Non tirare mai il dispositivo per il cavo. Se il cavo di alimentazione è danneggiato, deve essere sostituito da un tecnico autorizzato per evitare scosse elettriche o incendi. 13. Le riparazioni possono essere eseguite solo da personale di assistenza autorizzato. Non tentare di riparare il dispositivo da soli per evitare scosse elettriche o incendi.
14. Scollegare sempre la spina dalla presa di corrente quando il dispositivo non è in uso o quando si puliscono le parti interne o esterne.
15. Rimuovere il serbatoio dell'acqua prima di spostare il dispositivo.
16. Utilizzare solo i cavi di alimentazione forniti.
17. Non utilizzare il dispositivo in locali in cui sono conservati liquidi o gas infiammabili, vicino a fonti di calore o in ambienti particolarmente umidi come il bagno, la doccia o la piscina.
18. Per evitare malfunzionamenti, non inserire mai oggetti estranei nel dispositivo.
19. Non smontare o sostituire mai le parti interne del dispositivo.
20. Non esporre il dispositivo alla luce diretta del sole, per evitare che scolorisca.
21. Non immergere mai l'unità in acqua o altri liquidi.
22. Non toccare il cavo di alimentazione con le mani bagnate.
23. Pulire e asciugare il dispositivo prima di riporlo (rimuovendo anche tutta l'acqua dall'interno). Conservare la macchina in un luogo fresco e asciutto, fuori dalla portata dei bambini.
24. Non pulire il lavandino quando l'acqua è ancora calda.
25. Utilizzare, mantenere e pulire il dispositivo come descritto nel presente manuale.

Installazione

Assicurarsi che la distanza tra il dispositivo e pareti e mobili sia di 20 cm, vedere l'illustrazione seguente.



Rimuovere prima la guarnizione dai filtri.



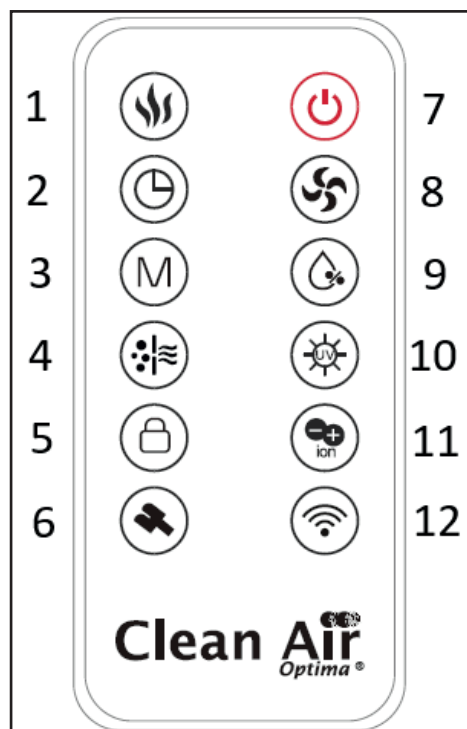
Rimuovere la pellicola protettiva dal display..



Telecomando

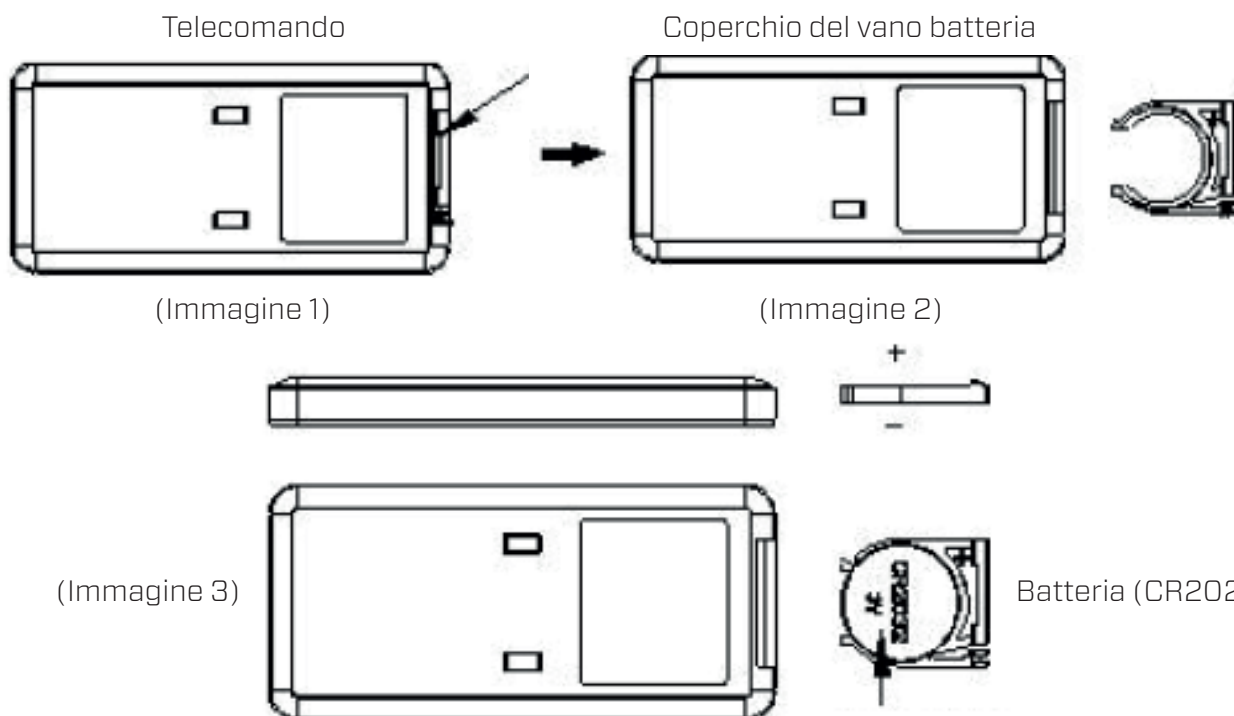
I pulsanti del telecomando:

1. Riscaldamento/ Modalità Pulizia:
2. Timer
3. Modalità
4. Purificazione dell'aria
5. Blocco bambini
6. Modalità Pulizia
7. ACCESO/SPENTO
8. Livello vapore:
9. Umidità
10. Luce UV
11. Ioni negativi
12. WIFI



Telecomando

1. Aprire il coperchio del vano batteria sul retro del telecomando per inserire la batteria (vedere Immagine 1).
2. Per inserire la batteria: nella parte inferiore del telecomando è presente una “linguetta di sicurezza” che bisogna prima far scorrere verso destra e poi estrarre il vano batteria (vedere Immagine 2). Inserire la batteria con la polarità corretta (vedere Immagine 3).
3. Riposizionare il coperchio del vano batteria nel telecomando.



Istruzioni per l'uso

Prima di iniziare, rimuovere il Clean Air Optima[®] CA-806 Smart/CA-808 Smart dalla confezione e lasciarlo abituare alla temperatura ambiente per almeno 30 minuti, soprattutto se l'apparecchio è freddo a causa dell'aria esterna. Posizionare il dispositivo su una superficie solida, piana e resistente all'acqua, ad almeno 20 cm dalla parete.

Il CA-806 Smart e il CA-808 Smart sono progettati per funzionare a temperature comprese tra 5 e 40 °C e con umidità relativa inferiore all'85%.

Per iniziare, sollevare l'alloggiamento, che è allentato sul serbatoio dell'acqua. Rimuovere il filtro dell'acqua dall'alloggiamento della pompa dell'acqua. Rimuovere l'alloggiamento della pompa dell'acqua dal serbatoio dell'acqua. Ora è possibile riempire il serbatoio dell'acqua fino alla linea massima oppure scegliere di aggiungere meno acqua.

Sollevare l'alloggiamento



Coperchio e filtro del serbatoio dell'acqua



Rubinetto per il riempimento



Posizionare il serbatoio dell'acqua sotto il rubinetto per il riempimento. Riempire il serbatoio con acqua del rubinetto (o altra fonte di acqua pulita con temperatura inferiore a 40°C), rimettere il coperchio e il filtro.

Riempimento dall'alto: il serbatoio dell'acqua può essere riempito anche con un annaffiatoio, direttamente dalla parte superiore dell'umidificatore.

Riempimento dall'alto



Riposizionare il serbatoio dell'acqua e i filtri (Figura 1). Riposizionare l'alloggiamento sulla parte superiore del serbatoio dell'acqua e farlo scorrere sopra il filtro in modo che i punti di contatto siano a contatto (Figura 2).

Collegare la spina a una presa di corrente idonea; un segnale acustico indicherà che il dispositivo è in modalità standby. Se l'umidificatore è acceso/spento, verrà visualizzato il valore di umidità.

Figura 1.

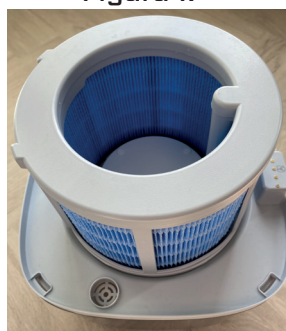
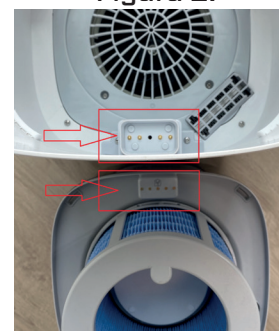


Figura 2.





Pulsante di accensione:

Premere il pulsante di accensione in modalità standby per attivare l'umidificatore:

- Quando c'è acqua nel serbatoio, si sente un "bip" e l'intera macchina entra in modalità di funzionamento: Stato di avvio iniziale della macchina: la macchina funziona alla velocità 3, l'icona UV si illumina e la pompa dell'acqua inizia a funzionare.
- Premere questo pulsante in modalità di funzionamento: la macchina entra in modalità di asciugatura ad aria e, al termine dell'asciugatura, entra in modalità di standby; la macchina è in modalità di funzionamento (tranne quando la funzione di blocco bambini è attiva), premere il pulsante "on/off" per accedere al programma di asciugatura ad aria.

Il processo di asciugatura ad aria funziona come segue:

- La macchina funziona alla velocità 4, l'icona "Riscaldamento PTC attivo" si illumina, le altre icone sul display digitale si spengono; la macchina si spegne dopo aver eseguito il programma di asciugatura ad aria per 50 minuti ed entra in modalità di standby. (Nota: la funzione di riscaldamento si disattiva in anticipo al 45° minuto del programma di asciugatura ad aria).
- Durante il processo di asciugatura all'aria, premere il pulsante on/off; la macchina uscirà dalla modalità di asciugatura all'aria ed entrerà in modalità standby.



Pulsante UV/Pulsante Ioni Negativi:

Il dispositivo si avvia con la lampada UV accesa. Premere nuovamente il pulsante per spegnerla. Per accendere lo ionizzatore, tenere premuto il pulsante per 3 secondi. Premerlo nuovamente per 3 secondi per spegnere lo ionizzatore.

La funzione di sterilizzazione UV uccide i batteri presenti nel flusso d'aria nebulizzato prima che il vapore entri nella stanza.

Premendo il pulsante **Ioni Negativi** si attiva il generatore di ioni negativi con una capacità totale di > 3.000.000 di ioni negativi/ cm³, che si diffondono in tutta la stanza, neutralizzando così inquinanti e odori. Gli ioni negativi si legano a particelle di polvere, microrganismi e altre particelle indesiderate presenti nell'aria, legandole tra loro. In questo modo le particelle diventano più pesanti dell'aria e cadono a terra, tanto che non è più possibile respirarle.

Gli ioni negativi si trovano principalmente nelle foreste, in montagna e in riva al mare. Gli ioni negativi garantiscono aria fresca e sana.



Pulsante Umidità:

Premendo il pulsante Umidità, è possibile selezionare il livello di umidità desiderato premendolo ripetutamente fino a visualizzare il livello di umidità desiderato (dal 30% all'80% con incrementi del 5%). Una volta selezionato il livello di umidità desiderato, è sufficiente rilasciare il pulsante e il livello di umidità verrà impostato.

Dopo l'impostazione, il display lampeggerà una volta al secondo e poi tre volte ininterrottamente per mostrare il valore attualmente impostato. Dopo il lampeggio, viene visualizzata l'umidità attuale, con un intervallo di visualizzazione dal 20% al 90% di umidità relativa.

La velocità non viene modificata per i primi 2 minuti dopo che il dispositivo è entrato in modalità umidità costante. Dopo 2 minuti, la ventola funziona secondo il seguente programma:

1. Quando l'umidità raggiunge o supera il valore impostato, il dispositivo interrompe l'umidificazione e la ventola funziona alla velocità 1;
2. Quando l'umidità effettiva è inferiore al valore impostato "2%", l'apparecchio continua a umidificare alla velocità 2;
3. Quando l'umidità effettiva è inferiore al valore impostato "4%", l'apparecchio continua a umidificare alla velocità 3;
4. Quando l'umidità effettiva è inferiore al valore impostato "6%", l'apparecchio continua a umidificare alla velocità 4.

Nota: se la velocità viene modificata durante la modalità umidità costante, il dispositivo funzionerà alla velocità impostata per 2 minuti e poi ripeterà la procedura sopra descritta dopo 2 minuti.

Premere il pulsante "Umidità", la macchina visualizzerà il valore di umidità corrente, quindi premere nuovamente il pulsante "Umidità" per regolare il valore di umidità di conseguenza.



Pulsante Modalità/Pulsante Wi-Fi:

Quando si preme il pulsante Modalità per la prima volta, l'icona "Modalità Automatica" si illumina e poi lampeggia tre volte prima di attivare la modalità automatica. Premendo il pulsante Modalità una seconda volta entro tre secondi, il dispositivo entra in modalità salute. L'icona "Modalità Salute" lampeggerà quindi tre volte prima di attivare la modalità salute. E così via.

L'ordine di rotazione dei pulsanti Modalità è il seguente: modalità automatica -> modalità salute -> modalità sospensione -> nessuna impostazione -> modalità automatica.

Modalità automatica:

Dopo essere entrati in "Modalità Automatica", l'umidità viene impostata al 68% e il volume del vapore viene forzato a umidificare per 5 minuti al livello 4. Dopo 5 minuti, il volume del vapore viene regolato in base ai seguenti requisiti:

Quando il valore di umidità è inferiore al 60%, il volume del vapore funziona a 4 livelli; quando il valore di umidità è compreso tra il 60% e il 63%, il volume del vapore funziona a 3 livelli; quando il valore di umidità è compreso tra il 64% e il 68%, il volume del vapore funziona a 2 livelli; quando il valore di umidità supera il 68%, funziona a 1 livello.

Modalità Salute:

Premere il pulsante Modalità una seconda volta. L'icona "Modalità Salute" lampeggerà tre volte al secondo, quindi si attiverà la Modalità Salute.

Dopo aver attivato la Modalità Salute, l'icona "Modalità Salute" sul tastierino digitale si illuminerà; Gli ioni negativi e la luce UV si attiveranno e il dispositivo funzionerà al livello 3. Dopo aver attivato la Modalità Salute, il dispositivo rileva automaticamente il livello di umidità ottimale in base alla temperatura ambiente e aumenta l'impostazione dell'umidità del 5% in base al valore rilevato. Ad esempio, se il valore rilevato è del 45%, l'umidità impostata sarà del 50% e così via.

Quando il dispositivo raggiunge o supera l'umidità impostata, la ventola funzionerà al livello 1. Quando l'umidità scende al di sotto del valore impostato del "2%", il dispositivo tornerà al livello 3.

Modalità Sleep:

Premere il pulsante Mode una terza volta. L'icona "Sleep Mode" lampeggerà tre volte al secondo e la modalità Sleep verrà attivata:

1. Le funzioni abilitate prima che il dispositivo entrasse in modalità Sleep (inclusi UV, timer e ioni negativi) non sono interessate dalla modalità Sleep.
2. Dopo 10 secondi, quando il dispositivo entra in modalità Sleep, il display si spegne (ad eccezione dell'icona "Modalità sleep") e il dispositivo funziona al 75% della velocità del livello di nebulizzazione 1.

Quando il dispositivo rileva che il serbatoio dell'acqua è vuoto durante la modalità Sleep, l'icona "Mancanza d'acqua" rimarrà accesa, il cicalino non suonerà e il dispositivo entrerà in modalità Standby.

Connessione Wi-Fi:

Tenere premuto il pulsante "Mode/Wi-Fi" per 3 secondi. Il dispositivo entrerà in stato di associazione Wi-Fi e l'icona Wi-Fi continuerà a lampeggiare finché l'associazione non sarà avvenuta correttamente. Tenere nuovamente premuto il pulsante "Mode/Wi-Fi" per 3 secondi. Il cicalino suonerà una volta, il dispositivo uscirà dall'associazione Wi-Fi e l'icona Wi-Fi si spegnerà.



Pulsante Riscaldamento/Pulsante Modalità Pulizia:

Premendo il pulsante "Riscaldamento" si attiva la funzione di riscaldamento. Il riscaldamento garantisce un'asciugatura rapida ed efficace del filtro dell'acqua.

Una volta attivata la funzione di riscaldamento, il dispositivo funziona all'impostazione 4. Non è possibile regolare la velocità; in questo modo si disattiva la funzione di riscaldamento.

Premere nuovamente il pulsante "Riscaldamento/Pulizia" per disattivare questa funzione.

Tenere premuto il pulsante "Riscaldamento/Pulizia". Il dispositivo esce dalla modalità "Riscaldamento/Pulizia" ed entra in modalità di pulizia .



Pulsante livello vapore:

Il dispositivo continua a umidificare e l'umidità non può essere regolata.

Lo stato di funzionamento iniziale del dispositivo è il livello 3.

Il dispositivo ha 4 livelli. Premere il pulsante ogni volta per raggiungere un livello sulla scala.

La sequenza del livello vapore è: 3-> 4-> 1 -> 2-> 3-> 4-> 1-> 2-> 3...e così via.

La pompa dell'acqua funziona ininterrottamente per i primi 2 minuti;

Dopo 2 minuti, la pompa dell'acqua si ferma per 3 minuti e poi funziona per 15 secondi; poi si ferma per 3 minuti e continua a funzionare per 15 secondi, e così via.



Pulsante Purificazione dell'aria/ Blocco bambini::

Premere il pulsante "Purificazione dell'aria/Blocco bambini" per avviare la modalità di purificazione dell'aria. La pompa dell'acqua si spegnerà e il dispositivo non visualizzerà più l'umidità. L'icona PM2.5 si illuminerà per indicare la qualità dell'aria attuale. Premere nuovamente per tornare alla modalità di umidificazione.

Premere e tenere premuto il pulsante “Purificazione dell’aria/Blocco bambini” per 3 secondi; l’icona di blocco bambini attivato si illuminerà. Tenere premuto il pulsante “Purificazione dell’aria/Blocco bambini” per altri 3 secondi; l’icona di blocco bambini disattivato si spegnerà.

Pulsante Timer:

Premendo il **Pulsante Timer** si imposta il timer. La funzione timer determina per quante ore l’umidificatore funzionerà. È possibile impostare il timer semplicemente premendolo una volta per ogni ora di funzionamento desiderata. Il timer può essere impostato da 1 a 12 ore. Con il passare del tempo, il valore diminuisce fino a 00:00 e il dispositivo si spegne.

Pulizia dopo 72 ore di funzionamento:

1. Dopo 72 ore di funzionamento del dispositivo, il display mostrerà “72 ore” e continuerà a lampeggiare fino a quando il tempo di pulizia non verrà reimpostato.
2. Premere a lungo il pulsante “Riscaldamento/Pulizia”. Il dispositivo uscirà dalla modalità “Umidità” ed entrerà in modalità Pulizia.
3. Pulire il serbatoio dell’acqua (consiglio).
4. Tenere premuto il pulsante “On/Off” per 2 secondi per disattivare il messaggio di pulizia “72 ore”. Il display mostrerà “00 ore” e lampeggerà 3 volte. Il display mostrerà quindi l’umidità. 5. Se il dispositivo non è stato utilizzato per 72 ore, è possibile reimpostare la modalità di pulizia tenendo premuto il pulsante On/Off per 2 secondi per azzerare l’ora del dispositivo e ricalcolarla. L’icona “umidità” mostrerà “OOH” e lampeggerà 3 volte. Il display tornerà allo stato normale.

Quando la modalità di sospensione è attiva, non viene visualizzata alcuna richiesta di pulizia. All’uscita dalla modalità di sospensione, viene visualizzata una richiesta di pulizia.

Visualizzazione dell’umidità:

Quando l’umidità è inferiore al 45%, la spia del serbatoio dell’acqua si illumina di arancione; quando l’umidità è compresa tra il 45% e il 60%, la spia si illumina di blu; quando l’umidità è superiore al 60%, la spia si illumina di bianco. Il valore visualizzato è il valore medio.

Avviso di mancanza d’acqua:

Dopo aver rilevato che il serbatoio dell’acqua è vuoto, il dispositivo passa al sistema di riscaldamento-asciugatura ed entra in modalità mancanza d’acqua. In caso di mancanza d’acqua, la spia del livello dell’acqua e la spia colorata del serbatoio lampeggeranno in rosso tre volte ed emetteranno tre segnali acustici. Quindi, attivare il sistema di riscaldamento e asciugatura “a nebbia calda” e, dopo 30 minuti, passare alla modalità standby.

In alternativa, premere il pulsante on/off per spegnere il dispositivo e riempire il serbatoio dell’acqua.

Dopo aver riempito il serbatoio dell’acqua, la spia del livello dell’acqua e la spia colorata del serbatoio si spegneranno e il dispositivo passerà alla modalità standby.

Descrizione del livello dell’acqua:

Le scale del serbatoio dell’acqua sono: acqua piena, acqua insufficiente.

1. Livello dell’acqua basso: quando la pompa dell’acqua rileva una mancanza d’acqua persistente per 10 secondi, il dispositivo passa allo stato di livello basso.

2. Riempimento del serbatoio dell'acqua: aggiungere acqua ogni volta che il dispositivo è acceso o spento. Quando il serbatoio dell'acqua è pieno, il display digitale lampeggerà 5 volte e il cicalino suonerà 5 volte. Sul display apparirà la scritta FUL.

Assicurarsi che il serbatoio dell'acqua sia sempre completamente pieno.

Pulizia e manutenzione

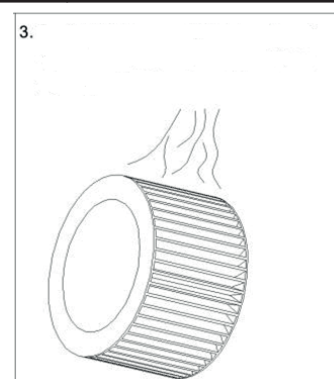
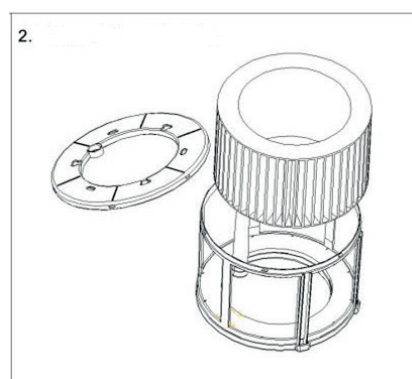
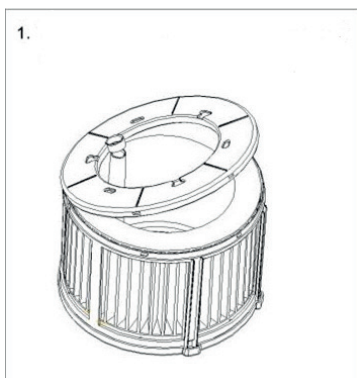
Pulizia del filtro dell'acqua

In alcune zone, la qualità dell'acqua è scarsa. Dopo un uso prolungato, calcare o polvere potrebbero accumularsi sulla superficie del filtro dell'acqua. È possibile smontare il filtro dell'acqua e risciacquarlo con acqua pulita. In condizioni di utilizzo normali, si consiglia di sostituire il filtro dell'acqua ogni sei mesi.

Rimuovere il filtro dell'acqua dall'apparecchio e smontare la parte inferiore.

Rimuovere il filtro dell'acqua dall'apparecchio e smontare la parte inferiore.

Risciacquare con acqua di rubinetto per eliminare eventuali residui di sporco dalla superficie del filtro dell'acqua e rimontarlo. Riposizionarlo nel dispositivo.



Pulizia del filtro a resina

In alcune zone, la qualità dell'acqua è scarsa. Dopo un uso prolungato, calcare o polvere potrebbero accumularsi sulla superficie del filtro a resina. È possibile smontare il filtro a resina e sciacquarlo con acqua pulita. In condizioni di utilizzo normale, si consiglia di sostituire il filtro dell'acqua ogni sei mesi.

Sollevare il gruppo divisorio del serbatoio dell'acqua, ruotare l'addolcitore in senso orario ed estrarlo direttamente quando la fibbia è allentata (Figura 1).

Risciacquare con acqua di rubinetto eventuali residui di sporco sulla superficie del filtro a resina e rimontarlo.

Allineare e inserire lo scivolo indicato dalla freccia in figura, quindi ruotare l'addolcitore in senso antiorario fino a sentire la fibbia (Figura 2).

Figura 1.

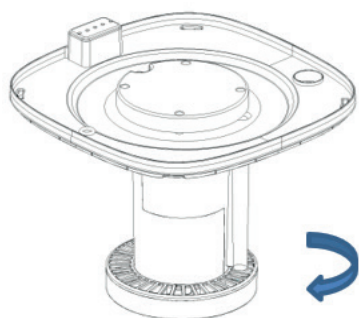
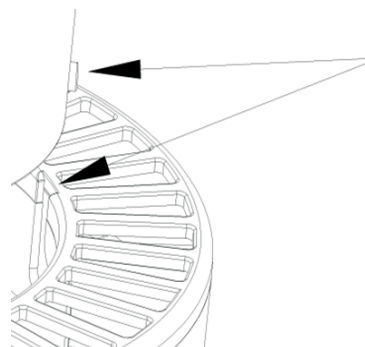


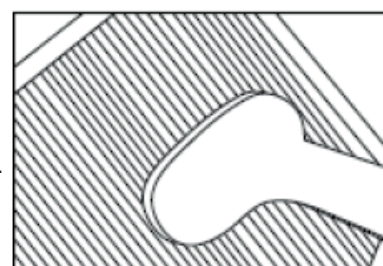
Figura 2.



Pulizia del filtro HEPA H13

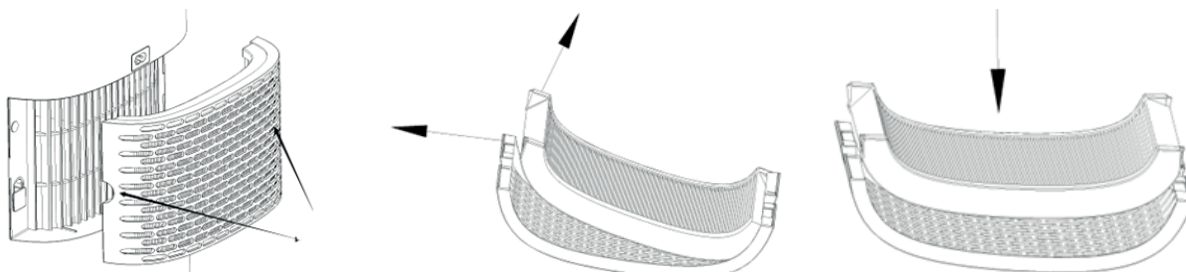
L'effetto migliore si ottiene pulendo i filtri una volta al mese. Se l'aria interna è estremamente inquinata, potrebbe essere necessaria una pulizia più frequente.

Pulire il **prefiltro** e il **filtro HEPA** con una spazzola o l'aspirapolvere. In questo modo è possibile rimuovere dal filtro anche le particelle di polvere più grandi, come lanugine, peli e peli di animali domestici.



Attenzione! Non bagnare o risciacquare mai i filtri composti (**HEPA + filtro a carboni attivi**) con acqua.

Estrarre i filtri dal vano portafiltro. Dopo la sostituzione o la pulizia del filtro, reinstallarli nel vano portafiltro e rimontarli sul dispositivo, come illustrato nell'illustrazione seguente.



Segnali di filtri esauriti

Aumento del rumore, riduzione del flusso d'aria, filtri intasati, aumento della presenza di odori. Il filtro deve essere sostituito con uno nuovo quando il filtro HEPA cambia colore da bianco a grigio o nero. Se il filtro HEPA rimane bianco, NON è necessario sostituirlo.

Come ordinare i filtri:

Contattare il Servizio Clienti di Clean Air Optima al numero +31 (0) 742670145 o visitare il nostro negozio online: <https://www.cleanairoptima.com/-accessoires>

Pulizia dell'esterno del purificatore d'aria

1. Spegnerne il dispositivo e staccare la spina.
2. Utilizzare un panno morbido e umido per pulire il dispositivo da polvere e sporco.
3. Assicurarsi che non penetri **acqua** nel dispositivo.

Pulisci i punti di contatto.


Pulisci regolarmente i punti di contatto con un panno pulito e asciutto.



Sostituzione dei filtri

Clean Air Optima CA-806 Smart / CA-808 Smart è dotato di un meccanismo di monitoraggio della durata dei filtri che segnala la necessità di sostituzione dei filtri (HEPA H13, filtro ad acqua, filtro a resina e filtro agli ioni d'argento) dopo 1000 ore di funzionamento. Per segnalare la necessità di sostituzione, il dispositivo emette una spia luminosa a doppio zero



. Reimpostare il timer dei filtri tenendo premuto il pulsante livello vapore  per circa 4 secondi. Se la spia luminosa si spegne, il timer è stato reimpostato correttamente.

A seconda dell'utilizzo, i filtri hanno una durata di circa 3-6 mesi. La lampada UV-C è permanente e non necessita di sostituzione.

Estrarre i filtri dal vano portafiltro. Dopo la sostituzione o la pulizia dei filtri, reinstallarli nel vano portafiltro e rimontarli sul dispositivo; consultare il capitolo Manutenzione.

Installazione/Sostituzione del Clean Air Optima® Silver Ion SI-01

Il **Silver Ion SI-01** sfrutta l'effetto antimicrobico dell'argento, prevenendo la proliferazione di batteri e cattivi odori nell'acqua. Il **Silver Ion SI-01** funziona anche quando l'umidificatore è spento, mantenendo l'acqua fresca.

Sostituire il **Silver Ion SI-01** all'inizio della stagione di utilizzo dell'umidificatore o dopo un anno di utilizzo.

Sostituzione del Silver Ion SI-01:

Per iniziare, sollevare l'alloggiamento, che è allentato sul serbatoio dell'acqua. Rimuovere il filtro dell'acqua dall'alloggiamento della pompa dell'acqua. Rimuovere l'alloggiamento della pompa dell'acqua dal serbatoio dell'acqua.

Sollevare la carrozzeria



Coperchio e filtro del serbatoio dell'acqua



Silver Ion SI-01



1. Estrarre il **Silver Ion SI-01** usato.
2. Inserire il nuovo **Silver Ion SI-01**.

Smaltire il **Silver Ion SI-01** con i normali rifiuti domestici. Il **Silver Ion SI-01** non deve essere utilizzato per un periodo di tempo superiore a quello specificato.

È possibile ordinare il **Silver Ion SI-01** nel nostro negozio online all'indirizzo:

www.cleanairoptima.com

Conservazione del deumidificatore/ purificatore d'aria Clean Air Optima[®]

Se il deumidificatore/purificatore d'aria non verrà utilizzato per un periodo prolungato:

1. Innanzitutto, svuotare e asciugare il serbatoio dell'acqua.
2. Avviare il programma di asciugatura (vedere la sezione "Pulsante di accensione").
3. Scollegare il dispositivo e arrotolare il cavo di alimentazione.
4. Rimuovere e pulire i filtri. Riposizionare i filtri dopo la pulizia.
5. Conservare il dispositivo in un luogo fresco e asciutto, lontano dalla luce solare diretta, da temperature estreme e da polvere eccessiva.
5. Se il dispositivo non verrà utilizzato per un periodo prolungato, è consigliabile coprirlo con una copertura protettiva per evitare l'accumulo di polvere. Ciò potrebbe causare futuri problemi di pulizia e manutenzione.

Pulizia del serbatoio dell'acqua

L'acqua nel serbatoio deve essere cambiata regolarmente. L'acqua non deve rimanere nel serbatoio per più di 3 giorni.

- Si prega di notare che un'elevata umidità può favorire la crescita di organismi biologici nell'ambiente.
- Evitare che l'area intorno all'umidificatore si bagni o si umidi. In caso di umidità, ridurre la potenza dell'umidificatore. Se non è possibile ridurre la potenza dell'umidificatore, utilizzare l'umidificatore a intermittenza. Evitare che materiali assorbenti come tappeti, tende, drappaggi o tovaglie si inumidiscano.
- Staccare la spina dalla presa di corrente durante il riempimento e la pulizia.
- Non lasciare mai acqua nel serbatoio quando il dispositivo non è in uso.
- Svuotare e pulire l'umidificatore prima di riporlo. Pulire l'umidificatore prima del successivo utilizzo.
- Pulire l'interno del serbatoio dell'acqua con un detergente delicato e risciacquare con acqua pulita.

Attenzione: i microrganismi eventualmente presenti nell'acqua o nell'ambiente in cui viene utilizzato il dispositivo possono proliferare nel serbatoio dell'acqua ed essere dispersi nell'aria. Ciò può comportare rischi per la salute se l'acqua non viene cambiata e il serbatoio non viene pulito correttamente ogni 3 giorni.



Funzionamento con l'app Clean Air Optima[®]

Connettività

Compatibilità con smartphone e tablet:



Dispositivi iPhone, iPad e Android

Il dispositivo si connette tramite WiFi con l'app:

CleanAirOptima

Attenzione: Il router deve essere impostato sulla banda larga a 2,4 GHz. Se il router è impostato su 5,0 GHz, è impossibile stabilire una connessione.

Impostare la connessione WiFi

1. Scaricare e installare l'app "CleanAirOptima" dall'App Store o dal Google Play Store.
2. Creare un account e accedere.
3. Il router deve essere impostato sulla banda larga a 2,4 GHz. Se il router è impostato su 5,0 GHz, non è possibile stabilire alcuna connessione.
4. Assicurarsi che il Bluetooth sia attivato sul proprio smartphone.
5. Collegare il dispositivo alla presa di corrente e accenderlo. L'indicatore WiFi lampeggerà. Se la spia WiFi non lampeggia, premere il pulsante "MODE/WIFI" per 5 secondi. La spia WiFi lampeggerà rapidamente. Se la spia WiFi lampeggia rapidamente, il dispositivo è pronto per la connessione.
6. Assicurarsi che lo smartphone o il tablet siano connessi correttamente alla rete WiFi.
7. Aprire l'app "CleanAirOptima" e fare clic su "Aggiungi dispositivo" . Il dispositivo è elencato ed è possibile selezionarlo. In caso contrario, selezionare "Scansione automatica". Seguire le istruzioni sullo schermo per connettere il dispositivo alla rete.
8. Scegliere di aggiungere il dispositivo Clean Air Optima[®] sull'App e seguire le istruzioni nell'App.
9. Quando il dispositivo è associato, la spia luminosa del WiFi  rimane costantemente accesa.
10. Una volta completata correttamente la configurazione, è possibile utilizzare l'app Clean Air Optima[®] per azionare il dispositivo.

Nota:

- Se la rete predefinita è cambiata, reimposta la connessione WiFi seguendo i passaggi da 1 a 10 nella sezione "Imposta connessione WiFi".
- Se si desidera associare più dispositivi al proprio smartphone o tablet, procedere uno dopo l'altro.
- Assicurarsi che la distanza tra lo smartphone o il tablet e il dispositivo sia inferiore a 5 metri e che non ci siano ostacoli. Assicurarsi inoltre di trovarsi nella stessa stanza del dispositivo.

Reimpostare la funzione WiFi:

- Il dispositivo deve essere acceso.
- Ripristinare il WiFi premendo il pulsante "Modalità" per 5 secondi, la spia luminosa del WiFi lampeggerà rapidamente.



Disattivare la funzione WiFi::

- Ripristinare il Wi-Fi premendo il pulsante “Mode” per 5 secondi; la spia del Wi-Fi lampeggerà rapidamente.
- Disattivare il Wi-Fi premendo il pulsante “Mode” per altri 5 secondi; la spia del Wi-Fi si spegnerà.

Collegare i dispositivi a più telefoni

Nota: prima l'altra persona deve installare l'app Clean Air Optima[®] sul proprio telefono e creare un nuovo account. .

Condividere il dispositivo con accesso limitato:

Puo scegliere di condividere 1 dispositivo con più persone. Questa persona ha accesso, ma non può gestire tutte le impostazioni.

Seguire le istruzioni riportate di seguito per condividere il dispositivo con più persone:

1. Andare al dispositivo in questione.
2. Andare alla matita o ai tre punti in alto a destra.
3. Selezionare “Condivisione Dei Dispositivi”.
4. Selezionare “Aggiungere condivisione”.
5. Selezionare il metodo per condividere il dispositivo, ad es. tramite e-mail, whatsapp, sms ecc. e andare avanti.
6. Il dispositivo apparirà automaticamente nell'app Clean Air Optima[®] dell'account della persona con cui è condiviso il dispositivo.

Condividere il dispositivo con accesso completo:

Puo aggiungere una o più persone alla sua “Gestione casa”. Quella persona avrà quindi accesso a tutti i suoi dispositivi già collegati e avrà diritti e autorizzazioni completi. Rimarrà sempre l'amministratore principale.

Seguire le istruzioni seguenti per aggiungere qualcuno alla sua “Gestione casa”:

1. Aprire l'app Clean Air Optima[®] e andare su “Mi”.
2. Selezionare quindi ‘Gestione casa’.
3. Selezionare “Crea una casa”.
4. Selezionare “Nome casa” pertinente e “Aggiungere membri”.
5. Selezionare il metodo per condividere “Nome casa”, ad es. via email, whatsapp, SMS ecc. e proseguire.
6. Il “Nome casa” corrispondente apparirà automaticamente nell'app Clean Air Optima[®] della persona con cui ha condiviso “Nome casa”.
7. Sull'altro account:
Aprire l'app CleanAirOptima[®] e andare alla schermata principale. Selezionare “Nome casa” in alto a sinistra.

Aromaterapia

Attivazione della funzione aroma:

- Rimuovere il vassoio porta-aroma dalla staffa.
- Versare 5 - 10 gocce di olio essenziale Clean Air Optima[®] sulla spugna.
- Riposizionare il vassoio porta-aroma nel supporto.
- Quando accendi l'umidificatore, verrà attivata la funzione aroma.
- Se si desidera disattivare la funzione aroma o se il dispositivo non viene utilizzato per lunghi periodi di tempo, rimuovere la spugna aromatizzante dal vano e lavarla con un po' di acqua e sapone delicato. Lasciarla asciugare completamente prima di riporla nello scomparto apposito. Fondamentalmente la spugna per l'aromaterapia è riutilizzabile.



Importante

Per ottenere i migliori risultati e sfruttare al meglio l'umidificatore ad ultrasuoni, si consiglia di leggere attentamente le seguenti istruzioni relative all'uso degli oli essenziali nell'umidificatore ad ultrasuoni CA-806 Smart/ CA-808 Smart.

Utilizzo degli oli essenziali nel CA-806 Smart/ CA-808 Smart

Utilizzare i nostri oli essenziali di alta qualità per goditi di un'aromaterapia personale! Un'emozione olfattiva ai massimi livelli!

Nel nostro assortimento è possibile trovare oli essenziali di alta qualità con numerose profumazioni diverse. Si adattano perfettamente all'umidificatore CA-607B Smart e sono stati sviluppati appositamente per l'uso con questo umidificatore:



È possibile ordinare gli oli essenziali nel nostro negozio online su www.cleanairoptima.com

Avvertenza!

L'uso di altri oli essenziali non adatti a questo umidificatore o di altri additivi (ad esempio: fragranze e prodotti per la purificazione dell'acqua) può danneggiare l'umidificatore e **NON** deve essere utilizzato! **Mai aggiungere altri oli essenziali puri o altri additivi nel serbatoio dell'acqua o nella vaschetta dell'acqua! Anche una piccola quantità può danneggiare la plastica e provocare crepe.**

Il materiale non è concepito per l'uso di additivi. Una goccia è sufficiente per danneggiare il serbatoio/vaschetta dell'acqua e disattivare il dispositivo. Sono esclusi dalla garanzia gli apparecchi danneggiati da additivi.

Pulizia e manutenzione

È possibile garantire che l'umidificatore **Clean Air Optima[®] CA-806 Smart/ CA-808 Smart** funzioni senza problemi per anni, seguendo alcune semplici procedure di manutenzione. Se l'acqua è dura e contiene elevate concentrazioni di calcio e altri minerali, con il tempo sulle varie superfici della stanza inizierà a depositarsi della polvere bianca (calcare). Si formerà anche un deposito bianco (calcare) nella vaschetta dell'acqua, sull'elemento riscaldante del trasduttore/PTC e all'interno del serbatoio dell'acqua. I depositi di calcare compromettono il corretto funzionamento del trasduttore/elemento riscaldante PTC e l'umidificazione igienica efficiente dell'unità.

Si consiglia quanto segue:

1. Pulire il serbatoio dell'acqua una volta alla settimana se si utilizza l'apparecchio quotidianamente con **Clean Air Optima[®] Cleaner & Descaler**.
2. Non appena è necessario riempire il serbatoio dell'acqua, svuotarlo dell'acqua rimanente e riempirlo con acqua fresca.
3. Pulire l'intero dispositivo e mantenere tutte le parti completamente asciutte quando non è in uso.



Sviluppato appositamente per i raffrescatori d'aria, umidificatori e deumidificatori **Clean Air Optima[®]**:

- Non aggressivo
- Protegge i materiali plastici e ceramici dell'umidificatore
- Odore neutro
- Pulisce e decalcifica rapidamente e a fondo
- Biodegradabile

È possibile ordinare il **Clean Air Optima[®] Cleaner & Descaler** nel nostro negozio online all'indirizzo www.cleanairoptima.com.


Ricerca guasti


Quella che segue è una guida alla ricerca dei guasti per aiutare a risolvere eventuali problemi che si potrebbero riscontrare durante l'utilizzo dell'umidificatore e purificatore d'aria **Clean Air Optima[®] CA-806 Smart/CA-808 Smart**.

Problema	Possibile causa	Soluzione
Non viene diffusa alcuna nebbia.	<p>La spina di alimentazione non è collegata.</p> <p>Pulsante ON / OFF non attivato.</p> <p>Serbatoio dell'acqua vuoto.</p> <p>Non c'è abbastanza acqua nel serbatoio.</p>	<p>Collegare il dispositivo.</p> <p>Premere il pulsante ON / OFF.</p> <p>Riempire il serbatoio con acqua.</p> <p>Rabboccare il serbatoio con acqua.</p>
La nebbia ha uno strano odore.	<p>Dispositivo nuovo.</p> <p>L'acqua è sporca oppure è rimasta stagnante per troppo tempo.</p>	<p>Togliere il serbatoio dell'acqua, svitare il coperchio e lasciarlo arieggiare in un luogo fresco per 12 ore.</p> <p>Pulire il serbatoio dell'acqua e riempirlo con acqua pulita.</p>
Il volume della nebbia spruzzata è troppo basso.	<p>Troppo calcare minerale nella vaschetta dell'acqua e sul trasduttore.</p> <p>L'acqua è troppo sporca oppure è stata conservata troppo a lungo nel serbatoio.</p>	<p>Pulire la vaschetta dell'acqua e il trasduttore con: Clean Air Optima[®] Cleaner & Descaler</p> <p>Pulire il serbatoio dell'acqua e riempirlo con acqua pulita.</p>
Il dispositivo è rumoroso.	<p>Il serbatoio dell'acqua non è posizionato correttamente.</p> <p>Non c'è abbastanza acqua nel serbatoio.</p> <p>Il dispositivo si trova su una superficie instabile.</p>	<p>Posizionare correttamente il serbatoio dell'acqua sulla base.</p> <p>Riempire il serbatoio dell'acqua con acqua.</p> <p>Posizionare il dispositivo su una superficie solida e piana.</p>
Fuoriesce nebbia dall'area circostante l'ugello nebulizzatore.	Ci sono degli spazi tra l'alloggiamento attorno all'ugello e la parte superiore del serbatoio dell'acqua.	Rimuovere l'ugello dalla parte superiore del serbatoio dell'acqua e pulirlo con un panno umido. Ricollegarlo al serbatoio dell'acqua.
Il funzionamento con l'app Clean Air Optima[®] non funziona.	<p>Lo smartphone o il tablet non è connesso alla rete WiFi.</p> <p>Il dispositivo non è connesso alla rete.</p>	<p>Accendere il dispositivo e ripristinare il WiFi sul dispositivo premendo il pulsante della modalità manuale per 5 secondi, la spia luminosa del WiFi lampeggerà. Quindi seguire i passaggi da 3 a 10 del capitolo Funzionamento con l'app Clean Air Optima[®].</p>

Ricerca guasti

Quella che segue è una guida alla ricerca dei guasti per aiutare a risolvere eventuali problemi che si potrebbero riscontrare durante l'utilizzo dell'umidificatore e purificatore d'aria **Clean Air Optima[®] CA-806 Smart/CA-808 Smart**.

Problema	Possibile causa	Soluzione
Il display mostra doppio zero  .	I filtri devono essere sostituiti.	Reimpostare il timer del filtro tenendo premuto il pulsante MODE per circa 3 secondi. Quando la spia si spegne, il timer è stato reimpostato correttamente.
Il display mostra 72H.	La macchina è in funzione da 72 ore e necessita di essere pulita. Pulire il serbatoio dell'acqua. Premere a lungo il pulsante "Riscaldamento/Pulizia". Il dispositivo uscirà dalla modalità "Umidità" ed entrerà in modalità Pulizia.	Premere il pulsante di accensione per 3 secondi per ripristinare.

Simboli	Significato
	Questo simbolo significa che il filtro deve essere controllato e, se necessario, pulito prima di mettere in funzione l'apparecchio. Sostituire il filtro ogni 2 o 3 mesi.
	Questo simbolo significa che il serbatoio dell'acqua deve essere pulito ogni 3 giorni. Cambiare l'acqua nel serbatoio ogni 3 giorni. Prima di iniziare la pulizia, staccare la spina dalla presa di corrente.

Se l'acqua è molto dura (contiene livelli anormalmente elevati di minerali), l'umidificatore potrebbe produrre polvere bianca. Questo non è un malfunzionamento. La soluzione sarebbe sostituire il filtro dell'acqua più spesso o utilizzare acqua più dolce, come l'acqua distillata.

AVVERTIMENTO!

Se le soluzioni consigliate sopra non funzionano, contattare il supporto tecnico Clean Air Optima al numero di telefono del proprio paese. Non tentare di smontare, rimontare o riparare l'apparecchio poiché ciò potrebbe invalidare la garanzia.

Specifiche CA-806 Smart

Modello	CA-806 Smart
Per stanze fino a	60m ² / 150m ³ / 645ft ²
Tensione nominale	100V - 240V, 50/60Hz
Potenza nominale	30W - Max. 230W
Capacità di umidificazione dell'aria	Min. 250 ml/h - Max. 800 ml/h
Capacità della ventola (CADR)	220 m ³ /h
Ossigeno attivo	<0.05 ppm
Livello sonoro	Ventilatore silenzioso < 25dB(A)
Dimensioni	260 x 260 x 508 mm
Peso	5,0 kg
Serbatoio dell'acqua	8,0 L
Colore	Bianco con serbatoio dell'acqua in vetro fumé

Specifiche CA-808 Smart

Modello	CA-808 Smart
Per stanze fino a	80m ² / 200m ³ / 856ft ²
Tensione nominale	100V - 240V, 50/60Hz
Potenza nominale	30W - Max. 230W
Capacità di umidificazione dell'aria	Min. 300 ml/h - Max. 1000 ml/h
Capacità della ventola (CADR)	220 m ³ /h
Ossigeno attivo	<0.05 ppm
Livello sonoro	Ventilatore silenzioso < 25dB(A)
Dimensioni	260 x 260 x 508 mm
Peso	5,0 kg
Serbatoio dell'acqua	8,0 L
Colore	Bianco con serbatoio dell'acqua in vetro fumé

Conforme alle normative UE CE / WEEE / RoHS

Richieda al rivenditore o al comune di residenza informazioni aggiornate circa lo smaltimento dell'imballo e dell'elettrodomestico.



Service

Certificato di garanzia per l'umidificatore e purificatore d'aria Clean Air Optima® CA-806 Smart/ CA-808 Smart.

Data di acquisto:
Nominativo cliente:
Indirizzo:
Telefono:
E-mail:
Nome del venditore:
Indirizzo:

1. Si prega di compilare il presente Certificato di Garanzia in ogni sua parte. Inviarlo al distributore insieme alla fattura e all'elettrodomestico, con spedizione prepagata e utilizzando la scatola di imballaggio originale. Si accerti di includere l'affrancatura di restituzione appropriata per il pacco.
2. Si prega di allegare una breve descrizione del danno, guasto o malfunzionamento e le circostanze in cui si sono verificati tali problemi.

L'umidificatore e purificatore d'aria **Clean Air Optima® CA-806 Smart/ CA-808 Smart** è sottoposto a rigorose procedure di collaudo prima di lasciare la fabbrica. Se entro due anni dalla data di acquisto il prodotto non funziona secondo le specifiche, a causa di difetti di fabbrica, l'acquirente ha diritto alla riparazione gratuita o alla sostituzione di parti dietro presentazione della presente garanzia (a condizione che il malfunzionamento o il danneggiamento del dispositivo e/o parti siano avvenute in condizioni operative normali). Cosa è coperto: Tutte le parti difettose nei materiali e nella lavorazione. Per quanto tempo: due anni dalla data di acquisto. Cosa faremo: Ripareremo o sostituiremo eventuali parti difettose.

Altre condizioni

Le disposizioni della presente garanzia sostituiscono qualsiasi altra garanzia scritta, espressa o implicita, scritta o orale, inclusa qualsiasi garanzia di commerciabilità o idoneità per uno scopo particolare. La responsabilità massima del produttore non supererà il prezzo di acquisto effettivo da lei corrisposto per il prodotto. In nessun caso il produttore sarà responsabile per danni speciali, incidentali, consequenziali o indiretti. La presente garanzia non copre difetti derivanti da uso o manutenzione impropri o irragionevoli, assemblaggio difettoso, incidenti, catastrofi naturali, imballaggio improprio o manomissione, alterazione o modifica non autorizzata come determinato esclusivamente da noi. La presente garanzia è nulla se l'etichetta riportante il numero di serie è stata rimossa o danneggiata.

Non aggiungere mai altri oli essenziali puri o altri additivi nel serbatoio dell'acqua o nella vaschetta! Anche una piccola quantità può danneggiare la plastica e causare crepe.

Grazie per aver letto quanto sopra!



Condividi il tuo feedback sull'umidificatore e purificatore d'aria Clean Air Optima® CA-806 Smart/CA-808 Smart su:
www.cleanairoptima.com



Per le domande frequenti sul CA-806 Smart/ CA-808 Smart, consultare il nostro sito web: www.cleanairoptima.com e cercare CA-806 Smart/ CA-808 Smart.



Scarichi il manuale di istruzioni in PDF su:
www.cleanairoptima.com/info/manuals



Guardi tutti i video del prodotto Clean Air Optima su:
www.youtube.com

Clean Air Optima International B.V. | Rientjesoven 26 | 7621 HG Borne
Paesi Bassi | Telefono: +31 (0) 74 - 2670145

Clean Air Optima Germany GmbH | Enschedestraße 14 | 48529 Nordhorn
Germania | Telefono: +49 (0) 5921 879-121

E-mail: info@cleanairoptima.com

Internet: www.cleanairoptima.com

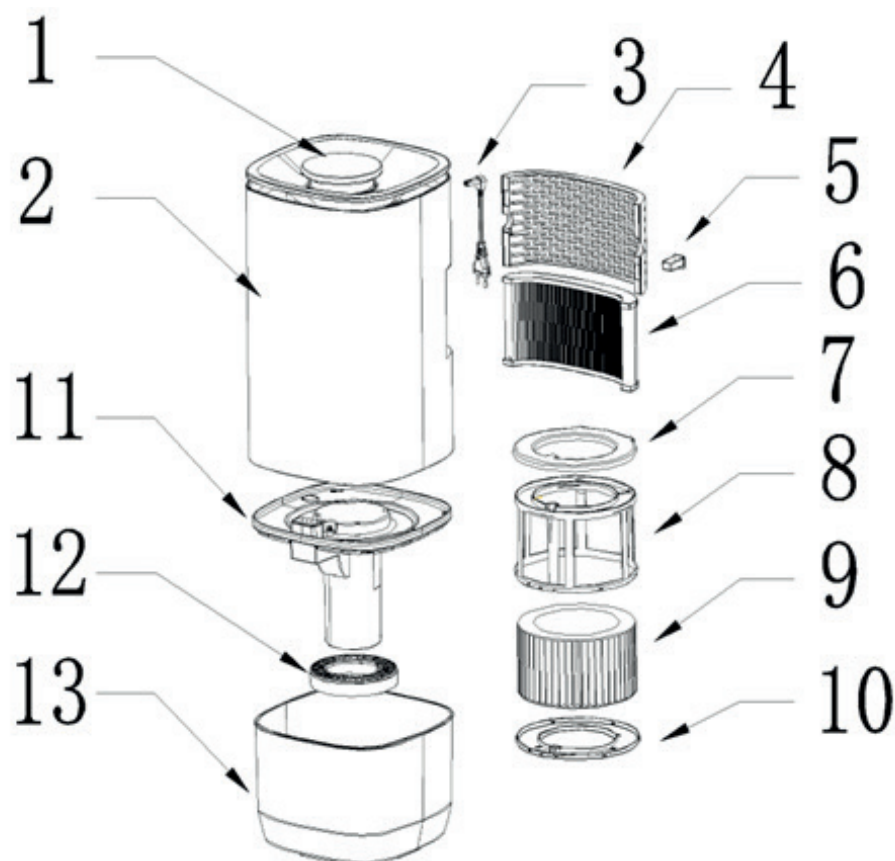
Polski

Dziękujemy za zakup nawilżacza parowego i oczyszczacza powietrza Clean Air Optima[®] CA-806 Smart/CA-808 Smart.

Życzymy Państwu wielu lat zdrowego powietrza w pomieszczeniach dzięki temu wydajnemu i skutecznemu produktowi.

Niniejsza instrukcja opisuje środki ostrożności, których należy przestrzegać podczas użytkowania. Mają one na celu zapobieganie obrażeniom ciała i uszkodzeniom urządzenia.

CA-806 Smart/ CA-808 Smart Jednostka główna



Opis urządzenia

Urządzenie składa się z następujących głównych komponentów:

- | | |
|-----------------------------|------------------------------|
| 1. Pokrywa wyświetlacza | 8. Uchwyt filtra wody |
| 2. Obudowa | 9. Filtr wody |
| 3. Przewód zasilający | 10. Dolny uchwyt filtra wody |
| 4. Kratka wlotu powietrza | 11. Montaż pompy wody |
| 5. Pojemnik na aromaty | 12. Filtr powietrza |
| 6. Filtr HEPA | 13. Zbiornik na wodę |
| 7. Górny uchwyt filtra wody | |

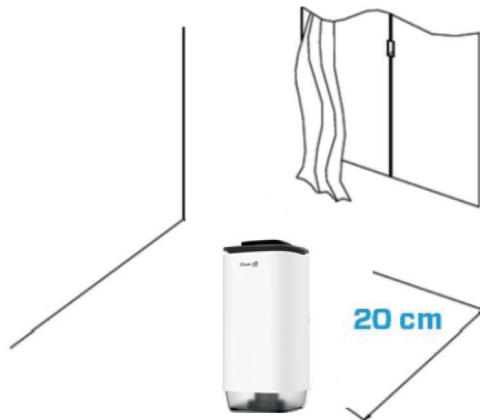
Ostrzeżenia dotyczące bezpieczeństwa

Urządzenie może być używane wyłącznie zgodnie z niniejszymi instrukcjami bezpieczeństwa. Aby zminimalizować ryzyko obrażeń ciała, na przykład porażenia prądem elektrycznym lub pożaru, należy podjąć następujące kroki.

1. Tylko do użytku wewnątrz pomieszczeń. Nie używać ani nie przechowywać na zewnątrz.
2. Używać prawidłowego napięcia: AC 220 V - 240 V, 50/60 Hz
3. Urządzenie może być używane przez dzieci w wieku od 8 lat oraz osoby o ograniczonej sprawności fizycznej, sensorycznej lub umysłowej, a także osoby nieposiadające doświadczenia i wiedzy, pod warunkiem, że znajdują się pod nadzorem lub zostały poinstruowane w zakresie bezpiecznego użytkowania urządzenia i rozumieją związane z tym zagrożenia. Dzieci nie powinny bawić się urządzeniem. Czyszczenie i konserwacja NIE mogą być wykonywane przez dzieci bez nadzoru.
4. Przed dolaniem wody należy wyłączyć urządzenie.
5. Upewnij się, że urządzenie zawsze działa z napełnionym zbiornikiem na wodę.
6. Nie pozostawiaj wody w zbiorniku, gdy urządzenie nie jest używane. 7. Ostrzeżenie: W środowisku, w którym urządzenie jest używane lub przechowywane, w wodzie mogą znajdować się mikroorganizmy. Jeśli woda nie jest regularnie wymieniana lub zbiornik nie jest czyszczony co 3 dni, mikroorganizmy te mogą rozwijać się w zbiorniku i ulatniać do powietrza, co może powodować poważne problemy zdrowotne.
8. Wymieniaj wodę co 3 dni.
9. Surowo zabrania się zakrywania wlotu i wylotu powietrza podczas pracy urządzenia.
10. Aby bezpiecznie korzystać z urządzenia, należy ustawić je w stabilnej, poziomej pozycji. Nie należy go przenosić podczas użytkowania.
11. Aby zapobiec zakłóceniom i uszkodzeniom innych urządzeń elektronicznych, urządzenie należy umieścić w odległości co najmniej 1 metra od komputera, telewizora, radia lub innego sprzętu elektronicznego.
12. Nie należy używać urządzenia, gdy przewód zasilający lub samo urządzenie są uszkodzone. Nie należy samodzielnie naprawiać urządzenia w przypadku uszkodzenia. Nigdy nie należy ciągnąć urządzenia za przewód. Uszkodzony przewód zasilający musi zostać wymieniony przez autoryzowanego serwisanta, aby zapobiec porażeniu prądem lub pożarowi.
13. Naprawy mogą być wykonywane wyłącznie przez autoryzowany personel serwisowy. Nie należy podejmować prób samodzielnej naprawy urządzenia, aby uniknąć porażenia prądem lub pożaru.
14. Zawsze wyjmuj wtyczkę z gniazdka, gdy urządzenie nie jest używane lub podczas czyszczenia jego wewnętrznych lub zewnętrznych części.
15. Przed przeniesieniem urządzenia wyjmij zbiornik na wodę.
16. Używaj wyłącznie dostarczonych przewodów zasilających.
17. Nie używaj urządzenia w pomieszczeniach, w których przechowywane są łatwopalne ciecze lub gazy, w pobliżu źródeł ciepła ani w pomieszczeniach o dużej wilgotności, takich jak łazienka, prysznic lub basen.
18. Aby zapobiec awariom, nigdy nie wkładaj do urządzenia obcych przedmiotów.
19. Nigdy nie rozbieraj ani nie wymieniaj wewnętrznych części urządzenia.
20. Nie wystawiaj urządzenia na bezpośrednie działanie promieni słonecznych, aby uniknąć odbarwienia.
21. Nigdy nie zanurzaj urządzenia w wodzie ani innych płynach.
22. Nie dotykaj przewodu zasilającego mokrymi rękami.
23. Przed przechowywaniem należy wyczyścić i osuszyć urządzenie (w tym usunąć całą wodę z wnętrza urządzenia). Przechowywać urządzenie w chłodnym i suchym miejscu, poza zasięgiem dzieci.
24. Nie czyścić zlewu, gdy woda jest jeszcze gorąca.
25. Używać, konserwować i czyścić urządzenie zgodnie z opisem w niniejszej instrukcji.

Instalacja

Upewnij się, że urządzenie znajduje się w odległości 20 cm od ścian i mebli, patrz ilustracja poniżej.



Zdejmij folię ochronną z wyświetlacza.

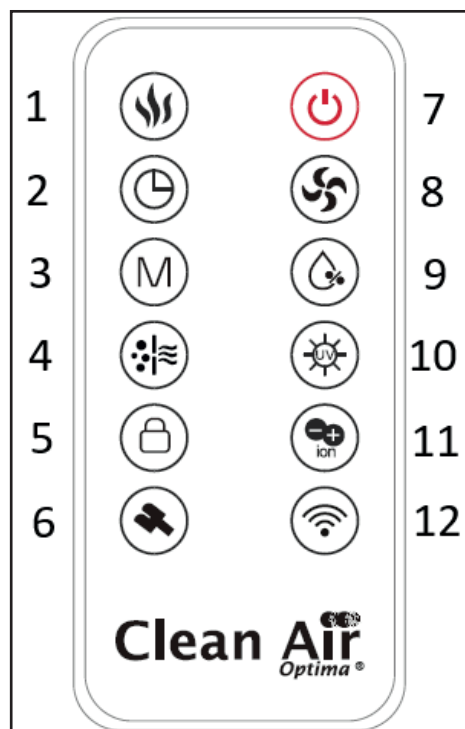
Najpierw usuń uszczelki z filtrów.



Pilot zdalnego sterowania

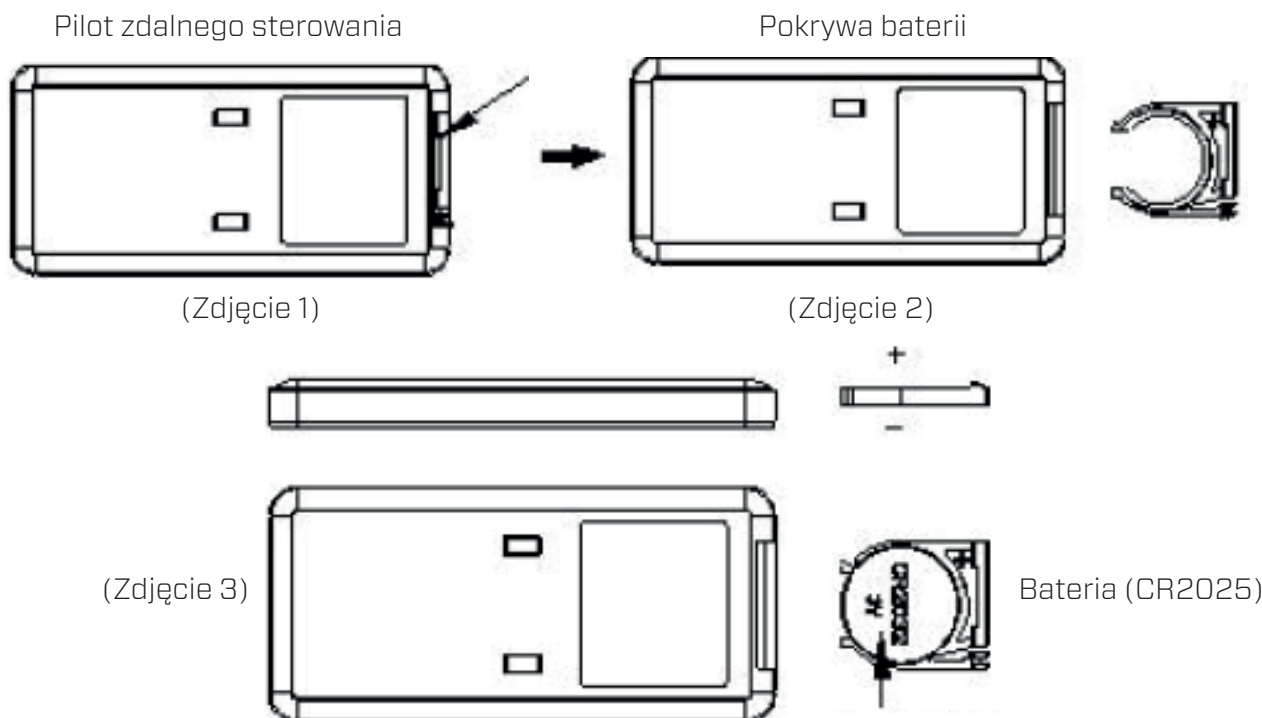
Przyciski na pilocie:

1. Tryb ogrzewania/czyszczenia
2. Timer
3. Tryb
4. Oczyszczanie powietrza
5. Blokada rodzicielska
6. Tryb czyszczenia
7. WŁ./WYŁ.
8. Poziom mgiełki
9. Wilgotność
10. UV
11. Jony ujemne
12. WIFI



Pilot zdalnego sterowania

1. Otwórz pokrywę baterii z tyłu pilota zdalnego sterowania, aby włożyć baterię (patrz rysunek 1).
2. Aby włożyć baterię: na dole pilota zdalnego sterowania znajduje się „zaczep zabezpieczający”, który należy najpierw przesunąć w prawo, a następnie wyciągnąć uchwyt baterii (patrz rysunek 2). Włóż baterię, zachowując prawidłową biegunowość (patrz rysunek 3).
3. Wsuń pokrywę baterii z powrotem do pilota zdalnego sterowania.



Instrukcja obsługi

Przed rozpoczęciem pracy wyjmij urządzenie Clean Air Optima[®] CA-806 Smart/CA-808 Smart z opakowania i pozwól mu oswoić się z temperaturą pokojową przez co najmniej 30 minut, zwłaszcza jeśli urządzenie jest zimne od powietrza zewnętrznego. Umieść urządzenie na stabilnej, równej i niewrażliwej na wodę powierzchni, w odległości co najmniej 20 cm od ściany. Urządzenia CA-806 Smart i CA-808 Smart są przeznaczone do pracy w temperaturach od 5 do 40°C i przy wilgotności względnej poniżej 85%.

Aby rozpocząć, podnieś obudowę urządzenia – obudowa jest luźno połączona ze zbiornikiem wody. Wyjmij filtr wody z obudowy pompy wody. Wyjmij obudowę pompy wody ze zbiornika wody. Teraz możesz napełnić zbiornik wody do linii „max” na zbiorniku wody lub wybrać opcję napełnienia go mniejszą ilością wody.

Podnieś obudowę urządzenia



Pokrywę zbiornika wody i filtr



Kran do napełniania



Następnie umieść zbiornik wody pod kranem w celu napełnienia. Napełnij zbiornik wodą z kranu (lub z innego czystego źródła o temperaturze poniżej 40°C), załóż pokrywę i przefiltruj.

Napełnianie od góry: Zbiornik na wodę można również napełnić konewką. Bezpośrednio z góry nawilzacza.

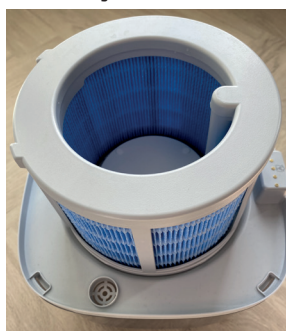
Napełnianie od góry



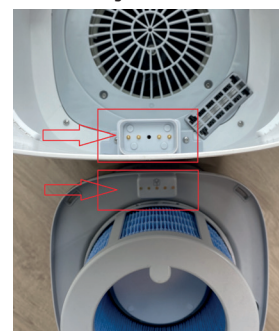
Wymień zbiornik na wodę i filtry (Rysunek 1.). Załóż obudowę na zbiornik na wodę i nasuń ją na filtr tak, aby styki przylegały do siebie (Rysunek 2.).

Podłącz wtyczkę zasilania do odpowiedniego gniazdka elektrycznego. Rozlegnie się sygnał dźwiękowy informujący o przejściu urządzenia w tryb czuwania. Jeśli nawilżacz jest włączony/wyłączony, wyświetli się wartość wilgotności.

Rysunek 1.



Rysunek 2.





Przycisk zasilania:

Naciśnij przycisk zasilania w trybie czuwania, aby włączyć nawilżacz:

- Gdy w zbiorniku na wodę znajduje się woda, rozlegnie się sygnał dźwiękowy, a urządzenie przejdzie w tryb pracy. Początkowy stan uruchomienia urządzenia: urządzenie pracuje z prędkością 3, ikona UV świeci się, pompa wody zaczyna działać.
- Naciśnij ten przycisk w trybie pracy: urządzenie przechodzi w tryb suszenia powietrzem, a po zakończeniu suszenia przechodzi w tryb czuwania. Urządzenie jest w trybie pracy (z wyjątkiem sytuacji, gdy włączona jest blokada rodzicielska). Naciśnij przycisk „włącz/wyłącz”, aby przejść do programu suszenia powietrzem.

Proces suszenia powietrzem przebiega następująco:

- Urządzenie pracuje z prędkością 4, ikona „PTC heating on” świeci się, a pozostałe ikony na ekranie cyfrowym gasną. Urządzenie wyłącza się po 50 minutach programu suszenia powietrzem i przechodzi w tryb czuwania. (Uwaga: Funkcja grzania wyłącza się z wyprzedzeniem w 45. minucie programu suszenia powietrzem).
- W trakcie procesu suszenia powietrzem naciśnij przycisk wł./wył., a urządzenie wyjdzie z trybu suszenia powietrzem i przejdzie w tryb czuwania.



Przycisk UV/Przycisk jonów ujemnych:

Urządzenie uruchamia się z włączoną lampą UV. Naciśnij przycisk ponownie, aby je wyłączyć. Aby włączyć jonizator, przytrzymaj przycisk przez 3 sekundy. Naciśnij go ponownie przez 3 sekundy, aby wyłączyć jonizator.

Funkcja sterylizacji UV zabija bakterie w strumieniu powietrza wylotowego mgły, zanim mgła dostanie się do pomieszczenia.

Naciśnięcie **przycisku Jony ujemne** aktywuje generator jonów ujemnych o całkowitej wydajności jonów ujemnych $>3\ 000\ 000 / \text{cm}^3$, które rozprzestrzeniają się po całym pomieszczeniu, neutralizując zanieczyszczenia i zapachy. Jony ujemne łączą się z cząsteczkami kurzu, drobnoustrojami i innymi niepożądanymi cząsteczkami w powietrzu i zlepiają je ze sobą. W ten sposób cząsteczki stają się cięższe od powietrza i opadają na podłogę, dzięki czemu nie trafiają do dróg oddechowych. Naciśnij przycisk ponownie, aby wyłączyć funkcję Jony ujemne.

Najwięcej jonów ujemnych występuje w lesie, w górach i nad morzem. Jony ujemne zapewniają świeże i zdrowe powietrze.



Przycisk wilgotności:

Naciskając przycisk Wilgotność, możesz wybrać żądany poziom wilgotności, naciskaj ten przycisk wielokrotnie, aż zostanie wyświetlony wymagany poziom wilgotności (od 30% do 80% w krokach co 5%). Po wybraniu oczekiwanego poziomu wilgotności po prostu zwolnić przycisk, a poziom wilgotności zostanie ustawiony.

Po ustawieniu, wyświetlacz będzie migał raz na sekundę, a następnie trzykrotnie, aby pokazać aktualną wartość. Po miganiu wyświetlana jest aktualna wilgotność względna, w zakresie od 20% do 90%.

Prędkość nie ulega zmianie przez pierwsze 2 minuty po przejściu urządzenia w tryb stałej wilgotności. Po 2 minutach wentylator pracuje zgodnie z następującym harmonogramem:

1. Gdy wilgotność osiągnie lub przekroczy ustawioną wartość, urządzenie zatrzymuje nawilżanie, a wentylator pracuje z prędkością 1;
2. Gdy rzeczywista wilgotność jest niższa od ustawionej wartości „2%”, urządzenie kontynuuje nawilżanie z prędkością 2;
3. Gdy rzeczywista wilgotność jest niższa od ustawionej wartości „4%”, urządzenie kontynuuje nawilżanie z prędkością 3;
4. Gdy rzeczywista wilgotność jest niższa od ustawionej wartości „6%”, urządzenie kontynuuje nawilżanie z prędkością 4.

Uwaga: Jeśli prędkość zostanie zmieniona w trybie stałej wilgotności, urządzenie będzie pracować z ustawioną wartością prędkości przez 2 minuty, a następnie po 2 minutach powtórzy powyższą procedurę.

Naciśnij przycisk „Wilgotność”, urządzenie wyświetli aktualną wartość ustawienia wilgotności. Następnie naciśnij ponownie przycisk „Wilgotność”, aby odpowiednio dostosować wartość wilgotności.



Przycisk trybu/ Przycisk WIFI:

Po pierwszym naciśnięciu przycisku trybu, ikona „Tryb automatyczny” zaświeci się, a następnie zamiga trzy razy przed aktywacją trybu automatycznego. Ponowne naciśnięcie przycisku trybu w ciągu trzech sekund spowoduje przejście urządzenia w tryb zdrowia. Ikona „Tryb zdrowia” zamiga trzy razy przed aktywacją trybu zdrowia. I tak dalej.

Kolejność zmiany trybów jest następująca: tryb automatyczny -> tryb zdrowia -> tryb uśpienia -> brak ustawień -> tryb automatyczny.

Tryb automatyczny:

Po przejściu w „Tryb automatyczny” wilgotność ustawiona jest na 68%, a objętość mgły jest wymuszana w celu nawilżania przez 5 minut na poziomie 4. Po 5 minutach poziom objętości mgły jest regulowany zgodnie z następującymi wymaganiami:

Gdy wilgotność jest mniejsza niż 60%, objętość mgły działa na 4 poziomach; gdy wilgotność wynosi od 60% do 63%, objętość mgły działa na 3 poziomach; gdy wilgotność wynosi od 64% do 68%, objętość mgły działa na 2 poziomach; gdy wilgotność przekracza 68%, działa na 1 poziomie.

Tryb Zdrowy:

Naciśnij przycisk trybu ponownie. Ikona „Trybu Zdrowego” będzie migać trzy razy na sekundę, a następnie aktywuje Tryb Zdrowy.

Po aktywacji Trybu Zdrowego, ikona „Trybu Zdrowego” na panelu cyfrowym zaświeci się; jony ujemne i światło UV zostaną włączone, a urządzenie będzie działać na poziomie 3.

Po aktywacji Trybu Zdrowego urządzenie automatycznie wykrywa optymalny poziom wilgotności na podstawie temperatury otoczenia i zwiększa ustawienie wilgotności o 5% w oparciu o wykrytą wartość. Na przykład, jeśli wykryta wartość wynosi 45%, ustawiona wilgotność wyniesie 50% i tak dalej.

Gdy urządzenie osiągnie lub przekroczy ustawioną wilgotność, wentylator będzie pracował na poziomie 1. Gdy wilgotność spadnie poniżej ustawionej wartości „2%”, urządzenie powróci do poziomu 3.

Tryb uśpienia:

Naciśnij przycisk trybu po raz trzeci. Ikona „Tryb uśpienia” będzie migać trzy razy na sekundę, a tryb uśpienia zostanie aktywowany:

1. Funkcje, które były włączone przed przejściem urządzenia w tryb uśpienia (w tym UV, timer i jony ujemne) nie są objęte trybem uśpienia.
2. Po 10 sekundach, gdy urządzenie przejdzie w tryb uśpienia, wyświetlacz gaśnie (z wyjątkiem ikony „Tryb uśpienia”), a urządzenie działa z prędkością 75% poziomu mgły 1.

Gdy urządzenie wykryje, że zbiornik na wodę jest pusty w trybie uśpienia, ikona „Brak wody” pozostanie zapalona, brzęczyk nie włączy się, a urządzenie przejdzie w tryb czuwania.

Połączenie Wi-Fi:

Naciśnij i przytrzymaj przycisk „Mode/Wi-Fi” przez 3 sekundy. Urządzenie przejdzie w tryb parowania Wi-Fi, a ikona Wi-Fi będzie migać, aż do pomyślnego sparowania. Naciśnij i przytrzymaj przycisk „Mode/Wi-Fi” ponownie przez 3 sekundy. Rozlegnie się sygnał dźwiękowy, urządzenie zakończy parowanie Wi-Fi, a ikona Wi-Fi zgaśnie.




Przycisk ogrzewania/Tryb czyszczenia:

Naciśnięcie przycisku „Ogrzewanie” aktywuje funkcję ogrzewania. Podgrzewanie zapewnia szybkie i skuteczne osuszanie filtra wody.

Po włączeniu funkcji ogrzewania urządzenie pracuje na poziomie 4. Nie można regulować prędkości; spowoduje to wyłączenie funkcji ogrzewania.

Naciśnij ponownie przycisk „Ogrzewanie/Czyszczenie”, aby dezaktywować tę funkcję.

Naciśnij i przytrzymaj przycisk „Ogrzewanie/Czyszczenie”. Urządzenie wyjdzie z trybu „Ogrzewanie/Czyszczenie” i przejdzie w tryb czyszczenia .



Przycisk poziomu mgły:

Urządzenie kontynuuje nawilżanie, ale nie można regulować wilgotności.

Początkowy stan pracy urządzenia to poziom 3.

Urządzenie ma 4 poziomy. Naciśnij przycisk za każdym razem, aby osiągnąć poziom na skali.

Sekwencja poziomów mgły jest następująca: 3 -> 4 -> 1 -> 2 -> 3 -> 4 -> 1 -> 2 -> 3... itd.

Pompa wodna pracuje nieprzerwanie przez pierwsze 2 minuty;

Po 2 minutach pompa wodna zatrzymuje się na 3 minuty, a następnie pracuje przez 15 sekund; następnie zatrzymuje się na 3 minuty i ponownie pracuje przez 15 sekund itd.



Przycisk Oczyszczanie powietrza/ blokady rodzicielskiej:

Naciśnij przycisk „Oczyszczanie powietrza/Blokada rodzicielska”, aby uruchomić tryb oczyszczania powietrza. Pompa wody wyłączy się, a urządzenie przestanie wyświetlać wilgotność. Zaświeci się ikona PM2,5, wskazując aktualną jakość powietrza. Naciśnij ponownie, aby powrócić do trybu nawilżania.

Naciśnij i przytrzymaj przycisk „Oczyszczanie powietrza/Blokada rodzicielska” przez 3 sekundy; zaświeci się ikona blokady rodzicielskiej urządzenia. Naciśnij i przytrzymaj przycisk „Oczyszczanie powietrza/Blokada rodzicielska” przez kolejne 3 sekundy; ikona blokady rodzicielskiej urządzenia zgaśnie.



Przycisk Minutnik:

Naciśnięcie **przycisku Minutnik** umożliwia ustawienie czasu do odliczania. Funkcja minutnika umożliwia ustawienie liczby godzin pracy nawilżacza. Minutnik można ustawić, po prostu naciskając go jednokrotnie za każdą oczekiwaną godzinę pracy urządzenia. Minutnik można ustawić na czas od 1 godziny do 12 godzin. W miarę upływu czasu wartość maleje, aż osiągnie 00:00, kiedy to urządzenie zostanie wyłączone.

Czyszczenie po 72 godzinach pracy:

1. Po upływie 72 godzin pracy urządzenia na wyświetlaczu pojawi się komunikat „72 godziny” i będzie on migał do momentu zresetowania czasu czyszczenia.
2. Naciśnij i przytrzymaj przycisk „Ogrzewanie/Czyszczenie”. Urządzenie wyjdzie z trybu „Wilgotność” i przejdzie w tryb czyszczenia.
3. Wyczyść zbiornik na wodę (zalecane).
4. Naciśnij i przytrzymaj przycisk „Wł./Wył.” przez 2 sekundy, aby wyłączyć komunikat „72 godziny” o czyszczeniu. Na wyświetlaczu pojawi się komunikat „00 godzin” i miga 3 razy. Następnie pojawi się poziom wilgotności.
5. Jeśli urządzenie nie było jeszcze używane przez 72 godziny, możesz zresetować tryb czyszczenia, naciskając i przytrzymując przycisk Wł./Wył. przez 2 sekundy, aby zresetować czas urządzenia do 0 i ponownie go obliczyć. Ikona „Wilgotność” wyświetli komunikat „00H” i miga 3 razy. Powróci normalny tryb wyświetlania.

Po włączeniu trybu uśpienia nie wyświetla się żaden monit o czyszczenie. Po wyjściu z trybu uśpienia wyświetla się monit o czyszczenie.

Wskaźnik wilgotności:

Gdy wilgotność spadnie poniżej 45%, lampka zbiornika na wodę zaświeci się na pomarańczowo; gdy wilgotność mieści się w przedziale od 45% do 60%, lampka zaświeci się na niebiesko; gdy wilgotność przekroczy 60%, lampka zaświeci się na biało. Jako wartość wyświetlana używana jest wartość średnia.

Ostrzeżenie o braku wody:

Po wykryciu pustego zbiornika na wodę urządzenie przełącza się na tryb grzania i suszenia i przechodzi w tryb braku wody. W przypadku braku wody, kontrolka poziomu wody i kolorowa kontrolka zbiornika na wodę zamigają trzykrotnie na czerwono i wyemitują trzy sygnały dźwiękowe. Następnie należy włączyć system grzania i suszenia „ciepłą mgiełką”+ i po 30 minutach przełączyć urządzenie w tryb czuwania. Można również nacisnąć przycisk włączania/wyłączania, aby wyłączyć urządzenie i napełnić zbiornik na wodę.

Po napełnieniu zbiornika na wodę kontrolka poziomu wody i kolorowa kontrolka zbiornika na wodę zgasną, a urządzenie przełączy się w tryb czuwania.

Opis poziomu wody:

Wagi zbiornika na wodę to: pełny zbiornik wody, niedobór wody.

1. Niski poziom wody: Gdy pompa wody wykryje ciągły niedobór wody przez 10 sekund, urządzenie przełącza się w stan niskiego poziomu wody.
2. Napełnianie zbiornika wody: Dolewaj wody przy każdym włączeniu lub wyłączeniu urządzenia. Gdy zbiornik wody jest pełny, wyświetlacz cyfrowy zamiga 5 razy i rozlegnie się 5-krotny sygnał dźwiękowy. Na wyświetlaczu pojawi się komunikat FUL (pełny).

Upewnij się, że zbiornik na wodę jest zawsze całkowicie napełniony.

Czyszczenie i konserwacja

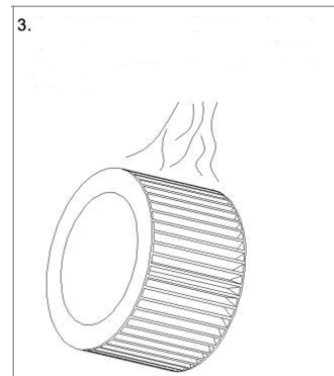
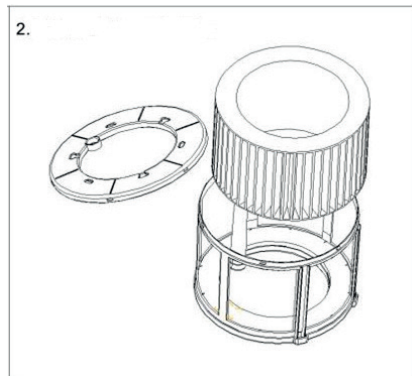
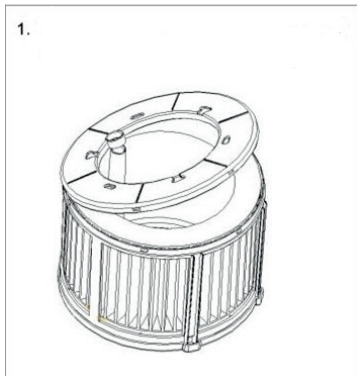
Czyszczenie filtra wody

W niektórych regionach jakość wody jest słaba. Po dłuższym użytkowaniu na powierzchni filtra wody może gromadzić się kamień lub kurz. Filtr wody można zdemontować i opłukać czystą wodą. Przy normalnym użytkowaniu zaleca się wymianę filtra wody co sześć miesięcy.

Wyjmij filtr wody z urządzenia i zdemontuj jego dolną część.

Wyjmij filtr wody z urządzenia i zdemontuj jego dolną część.

Splucz wodą z kranu wszelkie zabrudzenia z powierzchni filtra wody i zamontuj go ponownie. Umieść go z powrotem w urządzeniu.



Czyszczenie filtra twardości wody (hars)

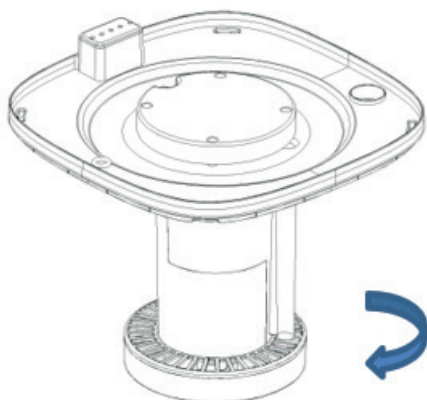
W niektórych obszarach jakość wody jest niska. Po dłuższym użytkowaniu na powierzchni filtra twardości wody może gromadzić się kamień lub kurz. Można zdemontować filtr twardości wody i przepłukać go czystą wodą. Przy normalnym użytkowaniu zaleca się wymianę filtra wody co sześć miesięcy.

Unieś zespół przegrody zbiornika na wodę, obróć zmiękcacz wody zgodnie z ruchem wskazówek zegara i wyciągnij zmiękcacz wody bezpośrednio po poluzowaniu klamry (rysunek 1).

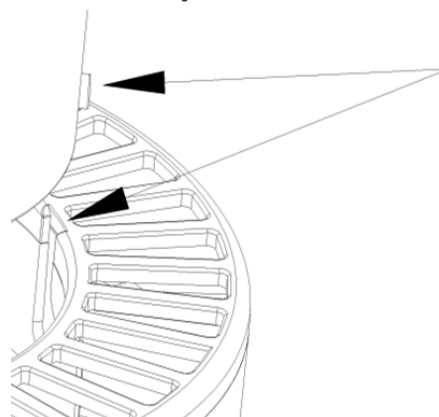
Splucz wodą z kranu wszelkie zanieczyszczenia z powierzchni filtra żywicznego i ponownie go zamontuj.

Wyrównaj i włóż do nich rynnę oznaczoną strzałką na rysunku, a następnie obróć zmiękcacz wody w kierunku przeciwnym do ruchu wskazówek zegara, aż klamra będzie wyczuwalna (rysunek 2).

Rysunek 1.



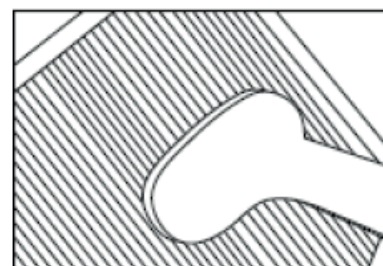
Rysunek 2.



Czyszczenie filtra HEPA H13

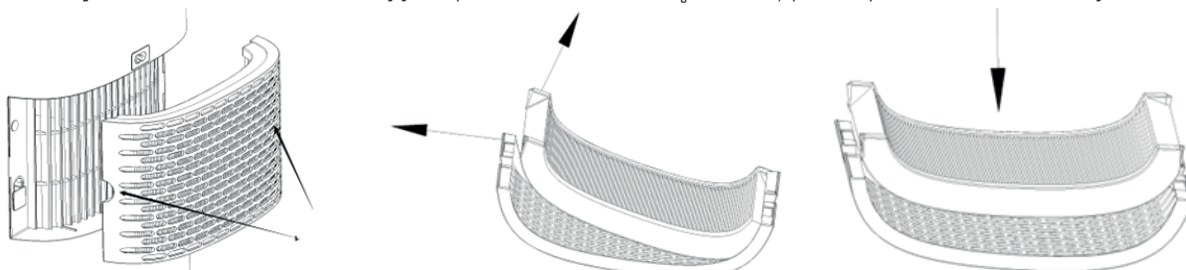
Najlepszy efekt uzyskuje się, czyszcząc filtry raz w miesiącu. Jeśli powietrze w pomieszczeniu jest bardzo zanieczyszczone, może być konieczne częstsze czyszczenie.

Wyczyść **filtr wstępny** i **filtr HEPA** szczotką lub odkurzaczem. W ten sposób usuniesz z filtra większe cząsteczki kurzu, takie jak kłaczki, sierść i łupież zwierząt domowych.



Ostrzeżenie! Nigdy nie moczyć ani nie płukać filtrów kompozytowych (**filtr HEPA + filtr z węglem aktywnym**) wodą.

Wyjmij filtry z komory ramki filtra. Po wymianie lub wyczyszczeniu filtra włóż filtry z powrotem do komory ramki filtra i zamontuj je z powrotem w urządzeniu, patrz poniższa ilustracja.



Oznaki zużycia filtrów

Zwiększony hałas, zmniejszony przepływ powietrza, zatkane filtry, nasilone zapachy. Filtr należy wymienić na nowy, gdy filtr HEPA zmieni kolor z białego na szary lub czarny. Jeśli filtr HEPA pozostaje biały, NIE ma potrzeby wymiany filtra.

Jak zamówić filtry:

Skontaktuj się z Działem Obsługi Klienta Clean Air Optima pod numerem telefonu +31 (0) 742670145 lub odwiedź nasz sklep internetowy: <https://www.cleanairoptima.com/-accessoires>

Czyszczenie zewnętrznej części oczyszczacza powietrza

1. Wyłącz urządzenie i odłącz je od zasilania.
2. Użyj miękkiej, wilgotnej ściereczki, aby wyczyścić urządzenie z kurzu i brudu.
3. Upewnij się, że do urządzenia **nie dostanie się woda**.



Wyczyść punkty styku.

Regularnie czyść punkty styku czystą, suchą ściereczką.



Replacing of filters

Clean Air Optima CA-806 Smart / CA-808 Smart jest wyposażony w mechanizm monitorowania żywotności filtrów, który sygnalizuje konieczność wymiany filtrów (HEPA H13, filtra wody, filtra żywcowego i filtra Silverion) po 1000 godzinach pracy. O konieczności wymiany informuje

kontrolka z podwójnym zerem . Aby zresetować timer filtrów, naciśnij i przytrzymaj przycisk poziomy mgły  przez około 4 sekundy. Zgaśnięcie kontrolki oznacza pomyślne zresetowanie timera.

W zależności od intensywności użytkowania, żywotność filtrów wynosi od około 3 do 6 miesięcy. Lampa UV-C jest stała i nie wymaga wymiany.

Wyjmij filtry z komory ramki filtra. Po wymianie lub czyszczeniu filtra włóż filtry z powrotem do komory ramki filtra i zamontuj je ponownie w urządzeniu, patrz rozdział „Konserwacja”.

Montaż/wymiana nawilzacza Clean Air Optima[®] Silver Ion SI-01

Nawilżacz **Silver Ion SI-01** wykorzystuje antybakteryjne działanie srebra, zapobiegając rozwojowi bakterii i nieprzyjemnym zapachom w wodzie. Działa nawet wtedy, gdy nawilżacz jest wyłączony, dzięki czemu woda pozostaje świeża.

Nawilżacz **Silver Ion SI-01** należy wymienić na początku sezonu nawilzacza lub po roku użytkowania.

Wymiana nawilzacza Silver Ion SI-01:

Aby rozpocząć, podnieś obudowę – obudowa jest luźna na zbiorniku wody. Wyjmij filtr wody z obudowy pompy wody. Wyjmij obudowę pompy wody ze zbiornika wody.

Podnieś obudowę



Pokrywa zbiornika na wodę i filtr



Silver Ion SI-01



1. Wyjmij zużyty filtr **Silver Ion SI-01**.
2. Włóż nowy filtr **Silver Ion SI-01**.

Filtr **Silver Ion SI-01** wyrzuć razem z odpadami domowymi.

Filtru **Silver Ion SI-01** nie należy używać dłużej niż zalecany czas.

Filtr **Silver Ion SI-01** można zamówić w naszym sklepie internetowym pod adresem

www.cleanairoptima.com

Przechowywanie osuszacza powietrza/oczyszczacza powietrza Clean Air Optima[®]

Jeśli osuszacz/oczyszczacz powietrza nie będzie używany przez dłuższy czas:

1. Najpierw opróżnij i osusz zbiornik na wodę.
2. Uruchom program osuszania powietrza (patrz sekcja „Przycisk zasilania”).
3. Odłącz urządzenie od zasilania i zwiń przewód zasilający.
4. Wyjmij i wyczyść filtry. Po wyczyszczeniu załóż filtry z powrotem.
5. Przechowuj urządzenie w chłodnym, suchym miejscu, z dala od bezpośredniego światła słonecznego, ekstremalnych temperatur i nadmiernego zapylenia.
5. Jeśli urządzenie nie będzie używane przez dłuższy czas, najlepiej założyć na nie osłonę ochronną, aby zapobiec gromadzeniu się kurzu. Może to spowodować problemy z czyszczeniem i konserwacją w przyszłości.

Czyszczenie zbiornika na wodę

Wodę w zbiorniku należy regularnie wymieniać. Woda nie powinna pozostawać w zbiorniku dłużej niż 3 dni.

- Należy pamiętać, że wysoka wilgotność powietrza może sprzyjać rozwojowi organizmów biologicznych w środowisku.
- Nie należy dopuszczać do zawilgocenia lub zmożenia otoczenia nawilżacza.
W przypadku wystąpienia wilgoci należy zmniejszyć wydajność nawilżacza. Jeśli nie można zmniejszyć wydajności nawilżacza, należy używać go z przerwami. Nie należy dopuszczać do zawilgocenia materiałów chłonnych, takich jak dywany, zasłony, firanki czy obrusy.
- Podczas napełniania i czyszczenia należy wyjąć wtyczkę z gniazdka.
- Nigdy nie należy pozostawiać wody w zbiorniku, gdy urządzenie nie jest używane.
- Przed przechowywaniem należy opróżnić i wyczyścić nawilżacz. Przed kolejnym użyciem należy wyczyścić nawilżacz.
- Wnętrze zbiornika na wodę należy oczyścić łagodnym detergentem i spłukać czystą wodą.

Ostrzeżenie: Mikroorganizmy, które mogą znajdować się w wodzie lub w środowisku, w którym urządzenie jest używane, mogą rozwijać się w zbiorniku i być wydmuchiwane do powietrza. Może to prowadzić do zagrożenia dla zdrowia, jeśli woda nie jest wymieniana, a zbiornik nie jest prawidłowo czyszczony co 3 dni.



Obsługa przy pomocy aplikacji Clean Air Optima[®]



Łączność

Kompatybilność ze smartfonem i tabletem:
urządzenia iPhone, iPad i Android

Urządzenie łączy się z aplikacją przez Wi-Fi:
CleanAirOptima

Uwaga: Router musi być ustawiony na łącze szerokopasmowe 2,4 GHz. Jeśli router jest ustawiony na 5,0 GHz, nawiązanie połączenia jest niemożliwe.

Konfiguracja połączenia Wi-Fi

1. Pobrać i zainstalować aplikację „CleanAirOptima” ze sklepu App Store lub Google Play Store.
2. Założyć konto i zalogować się.
3. Podłączyć urządzenie do gniazdka elektrycznego i włączyć je. Zapali się wskaźnik Wi-Fi.
4. Router musi być ustawiony na łącze szerokopasmowe 2,4 GHz. Jeśli router jest ustawiony na 5,0 GHz, nawiązanie połączenia jest niemożliwe.
5. Upewnij się, że Bluetooth jest włączony w Twoim smartfonie.
6. Upewnić się, że smartfon lub tablet jest pomyślnie połączony z siecią Wi-Fi.
7. Otworzyć aplikację „CleanAirOptima” i kliknąć „Dodaj urządzenie” . Urządzenie znajduje się na liście i można je wybrać. Jeśli nie, wybrać opcję „Automatyczne skanowanie”. Postępować zgodnie z instrukcjami wyświetlanymi na ekranie, aby podłączyć urządzenie do sieci.
8. Wybrać w celu dodania urządzenia Clean Air Optima[®] w aplikacji. Postępować zgodnie z instrukcjami w aplikacji.
9. Gdy urządzenie jest sparowane, kontrolka Wi-Fi  świeci stałym światłem.
10. Po pomyślnej konfiguracji można użyć aplikacji Clean Air Optima[®] do obsługi urządzenia.

Uwaga:

- Jeśli domyślna sieć uległa zmianie, należy zresetować połączenie Wi-Fi i wykonać kroki od 3 do 8 z sekcji „Konfiguracja połączenia Wi-Fi”.
- Jeśli chcemy sparować wiele urządzeń ze smartfonem lub tabletem, trzeba sparować je jedno po drugim.
- Upewnić się, że odległość między smartfonem lub tabletem a urządzeniem jest mniejsza niż 5 metrów i nie ma żadnych przeszkód. Upewnić się również, że użytkownik znajduje się w tym samym pomieszczeniu co urządzenie.

Zresetuj funkcję Wi-Fi:

- Urządzenie musi być włączone.
- Zresetuj Wi-Fi, naciskając przycisk „MODE/WI-FI” przez 5 sekund. Dioda kontrolna Wi-Fi zacznie szybko migać.



Wyłączanie funkcji Wi-Fi:

- Zresetuj Wi-Fi, naciskając przycisk „Mode” przez 5 sekund. Dioda LED Wi-Fi zacznie szybko migać.
- Wyłącz Wi-Fi, naciskając przycisk „Mode” przez kolejne 5 sekund. Dioda LED Wi-Fi zgaśnie.

Podłączaj urządzenia do wielu telefonów

Uwaga: Najpierw jedna z osób musi zainstalować aplikację Clean Air Optima[®] na telefonie i utworzyć nowe konto.

Udostępnianie urządzenia z ograniczonym dostępem:

Możesz udostępnić 1 urządzenie kilku osobom.

Będą one wówczas miały zapewniony dostęp, ale nie będą mogły zmieniać wszystkich ustawień.

Postępuj zgodnie z poniższymi instrukcjami, by udostępnić urządzenie kilku osobom:

1. Przejdź do danego urządzenia.
2. Przejdź do ołówka albo trzech kropek w górnym prawym rogu.
3. Wybierz „Share device” („Udostępnij urządzenie”).
4. Wybierz „Add sharing” („Dodaj udostępnianie”).
5. Wybierz metodę udostępniania np. za pośrednictwem poczty elektronicznej, aplikacji WhatsApp, wiadomości SMS itd. i kontynuuj.
6. Urządzenie pojawi się automatycznie w aplikacji Clean Air Optima[®] z drugim kontem.

Udostępnianie urządzenia z pełnym dostępem:

Możesz zapewnić co najmniej jednej osobie możliwość zarządzania domem.

Taka osoba będzie miała wówczas dostęp do wszystkich Twoich urządzeń, które są już połączone, oraz wszystkie uprawnienia. Zawsze pozostaniesz administratorem głównym.

Postępuj zgodnie z poniższymi instrukcjami, aby zapewnić komuś możliwość zarządzania domem.

1. Otwórz aplikację Clean Air Optima[®] i przejdź do „Me” („Moje konto”).
2. Następnie wybierz „Home Management” („Zarządzanie domem”).
3. Wybierz „Create a home” („Utwórz dom”).
4. Wybierz odpowiedni „Home” („Dom”) i „Add member” („Dodaj członka”).
5. Wybierz metodę udostępniania np. za pośrednictwem poczty elektronicznej, aplikacji WhatsApp, wiadomości SMS itd. i kontynuuj.
6. Odpowiedni „Home” automatycznie pojawi się w aplikacji Clean Air Optima[®] osoby, która uzyskała dostęp do Twojego „Home” („Dom”).
7. Na drugim koncie:
Przejdź do ekranu domowego z aplikacji Clean Air Optima[®]. W górnym lewym rogu wybierz „Home” („Dom”).

Aromaterapia

Aktywacja funkcji aromaterapii:

- Wyjmij tackę na aromaty z uchwytu.
- Nalej na gąbkę 5-10 kropli olejku eterycznego Clean Air Optima[®].
- Umieść tackę na aromaty z powrotem w uchwycie.
- Po włączeniu nawilzacza powietrza zostanie aktywowana funkcja aromatu.
- Jeśli chcesz wyłączyć funkcję aromatu lub jeśli urządzenie nie będzie używane przez dłuższy czas, wyjmij gąbkę do aromatów z komory i umyj ją wodą z niewielką ilością wody z łagodnym mydłem. Przed umieszczeniem jej z powrotem w komorze aromatu pozwól jej całkowicie wyschnąć. Zasadniczo gąbka do aromatu jest wielokrotnego użytku.



Ważne

Aby osiągnąć najlepsze rezultaty i w pełni cieszyć się swoim ultradźwiękowym nawilżaczem powietrza, radzimy uważnie przeczytać poniższe instrukcje dotyczące stosowania olejków eterycznych w nawilżaczu powietrza CA-806 Smart/ CA-808 Smart.

Stosowanie olejków eterycznych w CA-806 Smart/ CA-808 Smart

Korzystaj z naszych wysokiej jakości olejków eterycznych i ciesz się własną aromaterapią! Wrażenia zapachowe na najwyższym poziomie!

W naszej ofercie są dostępne wysokiej jakości olejki eteryczne o wielu zapachach. Idealnie pasują do nawilżacza powietrza/oczyszczacza powietrza CA-806 Smart/CA-808 Smart i zostały specjalnie opracowane do stosowania z tym nawilżaczem:



Olejki eteryczne **możesz zamówić** w naszym sklepie internetowym pod adresem www.cleanairoptima.com.

Ostrzeżenie!

Użycie innych olejków eterycznych nieprzeznaczonych do tego nawilżacza powietrza lub innych dodatków (na przykład olejków eterycznych i produktów do oczyszczania wody) może spowodować uszkodzenie nawilżacza powietrza. **NIE NALEŻY** stosować takich produktów! **Nigdy nie wlewaj innych czystych olejków eterycznych lub innych dodatków do zbiornika wody lub do zlewu! Nawet niewielka ilość może uszkodzić plastik i spowodować pęknięcia.** Materiał nie jest przeznaczony do stosowania dodatków. Jedna kropla wystarczy, aby uszkodzić zbiornik na wodę lub misę i wyłączyć urządzenie. Urządzenia uszkodzone przez stosowanie dodatków nie są objęte gwarancją.

Czyszczenie i konserwacja

Możesz zapewnić lata bezawaryjnej pracy nawilżacza i oczyszczacza powietrza **Clean Air Optima[®] CA-806 Smart/CA-808 Smart**, stosując kilka prostych procedur konserwacyjnych. Jeśli woda jest twarda i zawiera wysokie stężenie wapnia i innych minerałów, z czasem na różnych powierzchniach w pomieszczeniu zaczną osadzać się białe pyły (kamień). Wewnątrz zbiornika na wodę będzie się również osadzał biały osad (kamień kotłowy). Osady kamienia będą negatywnie wpływać na prawidłowe działanie nawilżacza i jego higienę.

Zalecamy wykonanie następujących czynności:

1. Jeśli urządzenie jest używane codziennie, raz w tygodniu należy wyczyścić **zbiornik na wodę** za pomocą **środku czyszczącego i odkamieniacza Clean Air Optima[®]**.
2. Gdy tylko zbiornik na wodę będzie wymagał uzupełnienia, należy wylać resztki wody i napełnić go świeżą wodą.
3. Gdy urządzenie nie jest używane, wyczyścić całe urządzenie i utrzymuj wszystkie jego części w stanie całkowicie suchym.



specjalnie opracowany do chłodziaczy powietrza, nawilżaczy i osuszaczy powietrza **Clean Air Optima[®]**:

- Nieagresywny
- Chroni plastikowe i ceramiczne elementy klimatyzatora, nawilżacza i osuszacza
- Neutralny zapach
- Szybko i dokładnie czyści i odkamienia
- Biodegradowalny

Środek czyszczący i odkamieniacz Clean Air Optima[®] możesz zamówić w naszym sklepie internetowym pod adresem www.cleanairoptima.com.

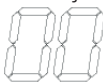
Rozwiązywanie problemów



Poniżej znajdują się informacje, które pomogą Ci rozwiązać wszelkie problemy, jakie możesz napotkać w związku z oczyszczaczem powietrza i nawilżaczem powietrza **Clean Air Optima[®] CA-806 Smart/CA-808 Smart**.

Usterka	Możliwa przyczyna	Rozwiązanie
Brak rozprzestrzeniania się mgły.	Wtyczka zasilania nie jest podłączona. Przycisk WŁ./WYŁ. nie jest wciśnięty. Pusty zbiornik na wodę. Za mało wody w zbiorniku.	Podłącz urządzenie. Naciśnij przycisk WŁ./WYŁ. Napełnij zbiornik wodą. Napełnij zbiornik wodą.
Mgła ma dziwny zapach.	Nowe urządzenie. Albo woda jest brudna, albo stoi zbyt długo.	Wyjmij zbiornik na wodę, odkręć pokrywę i pozostaw go na 12 godzin w chłodnym miejscu, aby się przewietrzył. Wyczyść zbiornik na wodę i napełnij go czystą wodą.
Objętość rozpylonej mgiełki jest zbyt mała.	Zbyt dużo kamienia mineralnego w zbiorniku na wodę i na przetworniku. Woda jest zbyt brudna lub była zbyt długo przechowywana w zbiorniku.	Wyczyść zbiornik na wodę i przetwornik za pomocą: Środka czyszczącego i odkamieniającego Clean Air Optima[®] . Wyczyść zbiornik na wodę i napełnij go czystą wodą.
Urządzenie hałasuje..	Zbiornik na wodę nie jest prawidłowo umieszczony. Za mało wody w zbiorniku. Urządzenie znajduje się na niestabilnej powierzchni.	Prawidłowo umieść zbiornik na wodę na podstawie. Dolej wody do zbiornika. Ustaw urządzenie na twardym i równym podłożu.
Z obszaru wokół dyszy rozpylającej wydobywa się mgiełka.	Pomiędzy obudową wokół dyszy i górną częścią zbiornika na wodę znajdują się szczeliny.	Zdejmij dyszę z górnej części zbiornika na wodę i wyczyść ją wilgotną ściereczką. Zamontuj ją ponownie w zbiorniku na wodę.
Współpraca z aplikacją Clean Air Optima[®] nie jest możliwa.	Smartfon lub tablet nie jest połączony z siecią Wi-Fi. Urządzenie nie ma połączenia z siecią.	Włącz urządzenie i zresetuj Wi-Fi, naciskając przycisk trybu ręcznego przez 5 sekund. Zacznie migać kontrolka Wi-Fi. Następnie wykonaj kroki od 3 do 10 z rozdziału „Obsługa z aplikacją Clean Air Optima [®] ”.

Rozwiązywanie problemów

Poniżej znajdują się informacje, które pomogą Ci rozwiązać wszelkie problemy, jakie możesz napotkać w związku z oczyszczaczem powietrza i nawilżaczem powietrza **Clean Air Optima® CA-806 Smart/CA-808 Smart**.

Usterka	Możliwa przyczyna	Rozwiązanie
Wyświetlacz pokazuje podwójne zero  .	Filtry należy wymienić.	Zresetuj timer filtra, naciskając i przytrzymując przycisk MODE przez około 3 sekundy. Zgaśnięcie kontrolki oznacza, że timer został pomyślnie zresetowany.
Na wyświetlaczu pojawia się 72H.	Urządzenie pracuje od 72 godzin i wymaga czyszczenia. Wyczyść zbiornik na wodę. Naciśnij i przytrzymaj przycisk „Ogrzewanie/Czyszczenie”. Urządzenie wyjdzie z trybu „Wilgotność” i przejdzie w tryb czyszczenia.	Aby zresetować, naciśnij przycisk zasilania na 3 sekundy.

Symbolika	Oznaczający
	Ten symbol oznacza, że przed uruchomieniem urządzenia należy sprawdzić filtr i w razie potrzeby go wyczyścić. Filtr należy wymieniać co 2-3 miesiące.
	Ten symbol oznacza, że zbiornik na wodę należy czyścić co 3 dni. Wymieniaj wodę w zbiorniku co 3 dni. Przed rozpoczęciem czyszczenia wyjmij wtyczkę z gniazdka.

Jeśli woda jest bardzo twarda (zawiera nienormalnie wysoki poziom minerałów), nawilżacz może wytwarzać biały osad. Nie jest to usterka. Rozwiązaniem byłaby częstsza wymiana filtra wody lub stosowanie bardziej miękkiej wody, np. destylowanej.

OSTRZEŻENIE!

Jeśli zalecane rozwiązania wyszczególnione powyżej nie przynoszą rezultatów, skontaktuj się telefonicznie z lokalnym działem pomocy technicznej firmy Clean Air Optima. Nie należy podejmować prób demontażu, naprawy lub ponownego montażu urządzenia, ponieważ może to spowodować utratę gwarancji.

Specyfikacja CA-806 Smart

Model	CA-806 Smart
Maksymalne wymiary pomieszczeń	60 m ² / 150 m ³ / 645 stóp ²
Napięcie znamionowe	100V - 240V, 50/60Hz
Moc znamionowa	30W - Max. 230W
Wydajność nawilżania powietrza	Min. 250 ml/h - Maksym 800 ml/h
Wydajność wentylatora (CADR)	220 m ³ /h
Aktywny tlen	<0.05 ppm
Poziom hałasu	Cichy wentylator < 25dB(A)
Dimensions	260 x 260 x 508 mm
Weight	5,0 kg
Zbiornik na wodę	8,0 L
Kolor	Biały z przydymionym szklanym zbiornikiem na wodę
Zgodność z przepisami UE	CE / WEEE / RoHS

Specyfikacja CA-808 Smart

Model	CA-808 Smart
Maksymalne wymiary pomieszczeń	80 m ² / 200 m ³ / 856 stóp ²
Napięcie znamionowe	100V - 240V, 50/60Hz
Moc znamionowa	30W - Max. 230W
Wydajność nawilżania powietrza	Min. 300 ml/h - Maksym 1000 ml/h
Wydajność wentylatora (CADR)	220 m ³ /h
Aktywny tlen	<0.05 ppm
Poziom hałasu	Cichy wentylator < 25dB(A)
Dimensions	260 x 260 x 508 mm
Weight	5,0 kg
Zbiornik na wodę	8,0 L
Kolor	Biały z przydymionym szklanym zbiornikiem na wodę
Zgodność z przepisami UE	CE / WEEE / RoHS

Poproś lokalnego dystrybutora lub lokalny samorząd o aktualne informacje dotyczące utylizacji opakowania i urządzenia.



Obsługa serwisowa

Certyfikat gwarancyjny dla nawilżacza i oczyszczacza powietrza Clean Air Optima® CA-806 Smart/ CA-808 Smart.

Data zakupu:

Imię i nazwisko klienta:

Adres:

Telefon:

E-mail:

Nazwa sprzedawcy:

Adres:

1. Niniejszy certyfikat gwarancji należy wypełnić w całości. Należy przesać go wraz z fakturą i urządzeniem w oryginalnym opakowaniu do lokalnego dystrybutora, pokrywając koszty przesyłki. Ponadto należy uiścić odpowiednią opłatę za przesyłkę zwrotną.
2. Prosimy o załączenie krótkiego opisu uszkodzenia, usterki lub nieprawidłowego działania oraz okoliczności, w których pojawiły się te problemy.

Nawilżacz i oczyszczacz powietrza **Clean Air Optima® CA-806 Smart/ CA-808 Smart** jest poddawane rygorystycznym testom przed wysłaniem z fabryki. Jeżeli w ciągu jednego roku od daty zakupu produkt nie będzie działać zgodnie ze specyfikacją z powodu wad fabrycznych, nabywca ma prawo do bezpłatnej naprawy lub wymiany części po przedstawieniu niniejszej gwarancji (pod warunkiem, że wadliwe działanie lub uszkodzenie urządzenia i/lub jego części wystąpiły w normalnych warunkach użytkowych). Zakres gwarancji: Wszystkie części wadliwe pod względem materiałowym i wykonawczym. Okres gwarancji: rok od daty zakupu. Czynności gwarancyjne: Naprawa lub wymiana wadliwych części.

Inne warunki

Postanowienia niniejszej gwarancji zastępują wszelkie inne pisemne gwarancje, wyraźne lub dorozumiane, pisemne lub ustne, w tym gwarancje wartości handlowej lub przydatności do określonego celu. Maksymalna odpowiedzialność producenta nie przekracza rzeczywistej ceny zakupu produktu. W żadnym wypadku producent nie ponosi odpowiedzialności za szkody szczególne, przypadkowe, wynikowe lub pośrednie. Niniejsza gwarancja nie obejmuje wad powstałych w wyniku niewłaściwego lub nieuzasadnionego użytkowania lub konserwacji, wadliwego montażu, wypadku, katastrof naturalnych, niewłaściwego pakowania oraz nieumiejętnych manipulacji, zmian lub modyfikacji, które nie zostały przez nas zatwierdzone. Niniejsza gwarancja jest nieważna w przypadku usunięcia lub uszkodzenia etykiety z numerem seryjnym.

Nigdy nie dodawaj do zbiornika na wodę ani misy na wodę innych czystych olejków eterycznych ani innych dodatków! Nawet niewielka ilość może uszkodzić plastik i spowodować pęknięcia.

Dziękujemy za przeczytanie instrukcji!



Podziel się swoją opinią na temat nawilżacza i oczyszczacza powietrza Clean Air Optima® CA-806 Smart/CA-808 Smart na stronie: www.cleanairoptima.com



Najczęściej zadawane pytania dotyczące CA-806 Smart/ CA-808 Smart można znaleźć na stronie: www.cleanairoptima.com po wyszukaniu modelu CA-806 Smart/ CA-808 Smart.



Pobierz instrukcję obsługi w formacie PDF ze strony: www.cleanairoptima.com/info/manuals



Obejrzyj wszystkie animacje Clean Air Optima Product w serwisie: www.youtube.com

Clean Air Optima International B.V. | Rientjesoven 26 | 7621 HG Borne
Holandia | Telefon: +31 (0) 74 - 2670145

Clean Air Optima Germany GmbH | Enschedestraße 14 | 48529 Nordhorn
Niemczech | Telefon: +49 (0) 5921 879-121

E-mail: info@cleanairoptima.com

Internet: www.cleanairoptima.com

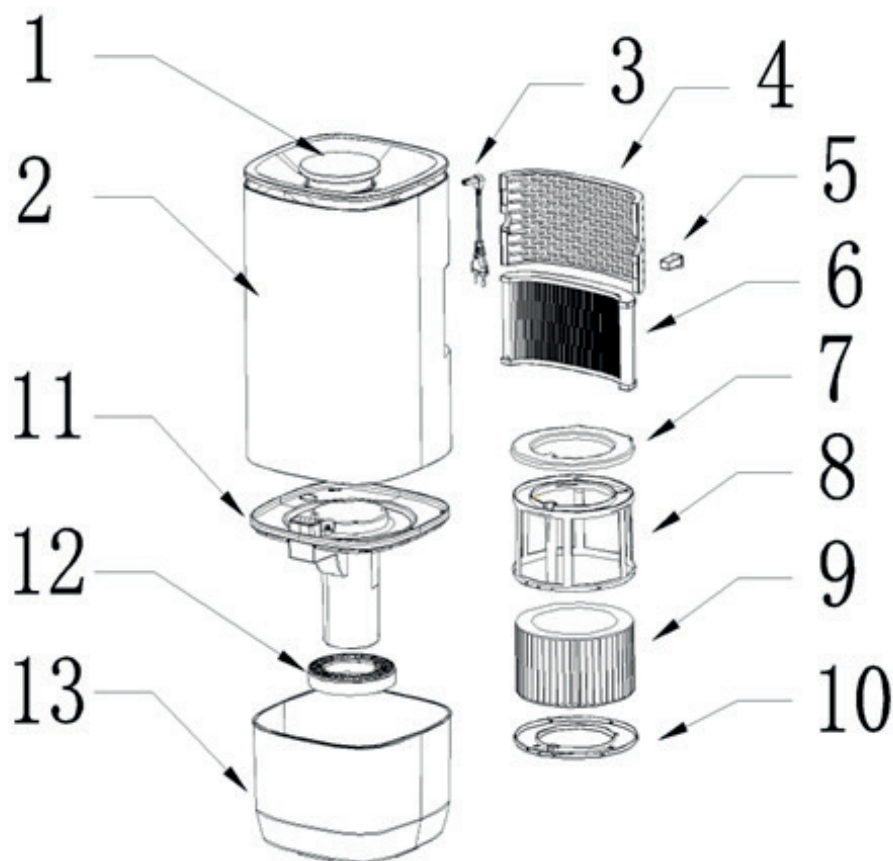
Čeština

Děkujeme Vám, že jste zakoupili odpařovacího zvlhčovače a čističky vzduchu Clean Air Optima® CA-806 Smart/CA-808 Smart.

Přejeme Vám, aby Vám tento účinný a efektivní výrobek po mnoho let sloužil jako zdroj zdravého vzduchu uvnitř budov.

Tento návod popisuje bezpečnostní opatření, která je třeba při provozu tohoto zařízení dodržovat. Jejich cílem je prevence úrazů a poškození zařízení.

CA-806 Smart/ CA-808 Smart Hlavní jednotka



Popis zařízení

Zařízení sestává z následujících hlavních součástí:

- | | |
|-------------------------------|---------------------------------|
| 1. Kryt displeje | 8. Držák vodního filtru |
| 2. Těleso | 9. Vodní filtr |
| 3. Napájecí kabel | 10. Spodní držák vodního filtru |
| 4. Mřížka sání vzduchu | 11. Instalace vodního čerpadla |
| 5. Aroma box | 12. Nepromokavý filtr |
| 6. HEPA Filtr | 13. Vodní nádrž |
| 7. Horní držák vodního filtru | |

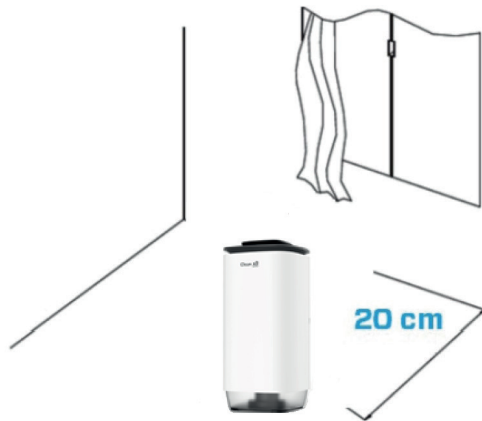
Bezpečnostní upozornění

Toto zařízení lze používat pouze v souladu s těmito pokyny pro bezpečné používání. Provedte následující kroky za účelem minimalizace rizika úrazu například elektrickým proudem nebo v důsledku požáru.

1. Pouze pro použití ve vnitřních prostorách. Nepoužívejte ani neskladujte venku.
2. Používejte správné napětí: AC 220 V – 240 V / 50/60 Hz
3. Tento spotřebič mohou používat děti ve věku od 8 let a osoby se sníženými fyzickými, smyslovými nebo duševními schopnostmi nebo s nedostatkem zkušeností a znalostí, pokud jsou pod dohledem nebo jim byly poskytnuty pokyny týkající se bezpečného používání prostředku a rozumí souvisejícím rizikům. Děti si se zařízením nesmí hrát. Čištění a užitelskou údržbu NESMÍ provádět děti bez dozoru.
4. Před přidáním vody musíte zařízení vypnout.
5. Ujistěte se, že zařízení vždy pracuje s naplněnou nádrží na vodu.
6. Nenechávejte vodu v nádržce na vodu, když spotřebič nepoužíváte.
7. Varování: V prostředí, kde se spotřebič používá nebo skladuje, se mohou ve vodě vyskytovat mikroorganismy. Pokud se voda pravidelně nemění nebo se nádrž nečistí každé 3 dny, mohou se tyto mikroby v nádrži množit a odpařovat do vzduchu, což může způsobit vážné zdravotní problémy.
8. Vodu vyměňujte každé 3 dny.
9. Je přísně zakázáno zakrývat vstup a výstup vzduchu čímkoli, když je zařízení v provozu.
10. Za účelem bezpečného používání umístěte zařízení do stabilní vodorovné polohy. Při provozu se zařízením nepohybujte.
11. Aby nedocházelo k rušení dalších elektronických zařízení nebo k jejich poškození, mělo by být toto zařízení umístěno alespoň 1 metr od počítače, televize, rádia nebo jiného elektronického zařízení.
12. Nepoužívejte toto zařízení, je-li napájecí kabel nebo zařízení samotné viditelně poškozeno. Je-li zařízení poškozené, neopravujte je sami. Nikdy netahejte zařízení za napájecí kabel. Dojde-li k poškození napájecího kabelu, musí být vyměněn kvalifikovaným servisním technikem, aby nedošlo k úrazu elektrickým proudem nebo k požáru.
13. Opravy mohou provádět pouze kvalifikovaní servisní technici. Nepokoušejte se opravovat zařízení sami, aby nedošlo k úrazu elektrickým proudem nebo k požáru.
14. Když zařízení nepoužíváte nebo chcete vyčistit vnitřní nebo vnější části, vždy vytáhněte napájecí kabel ze sítě.
15. Pokud chcete zařízení přesunout, vždy nejprve vyjměte nádržku na vodu.
16. Používejte pouze síťové kabely, které jsou součástí dodávky.
17. Nepoužívejte toto zařízení v místnostech, kde jsou uskladněny hořlavé kapaliny nebo plyny, v blízkosti zdrojů tepla ani v obzvláště vlhkých místnostech, jako je například koupelna, sprcha nebo bazén.
18. Chcete-li zabránit poruchám, nekládejte do zařízení cizí předměty.
19. Nikdy nerozebírejte ani nevyměňujte vnitřní součásti zařízení.
20. Neumísťujte zařízení na přímé sluneční světlo, aby nedošlo k jeho zbarvení.
21. Nikdy neponořujte zařízení do vody ani do jiných kapalin.
22. Nedotýkejte se napájecího kabelu mokřima rukama.
23. Před uložením zařízení jej nejprve vyčistěte a osušte (a rovněž odstraňte veškerou vodu, která zůstala uvnitř). Umístěte jej na chladné a suché místo mimo dosah dětí.
24. Nádržku na vodu nečistěte v případě, že je voda stále horká.
25. Používejte, udržujte a čistěte toto zařízení, jak je popsáno v této uživatelské příručce.

Montáž

Ujistěte se, že je zařízení vzdáleno 20 cm od stěn a nábytku, viz obrázek níže.



Nejprve odstraňte těsnění z filtrů.



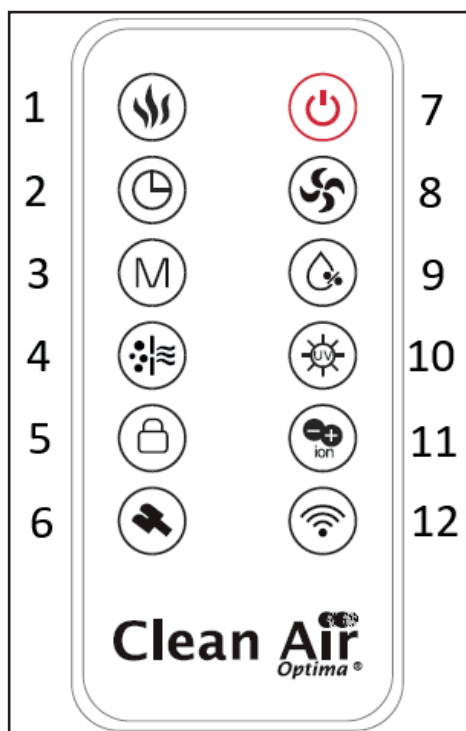
Odstraňte ochrannou fólii z displeje.



Dálkové ovládání

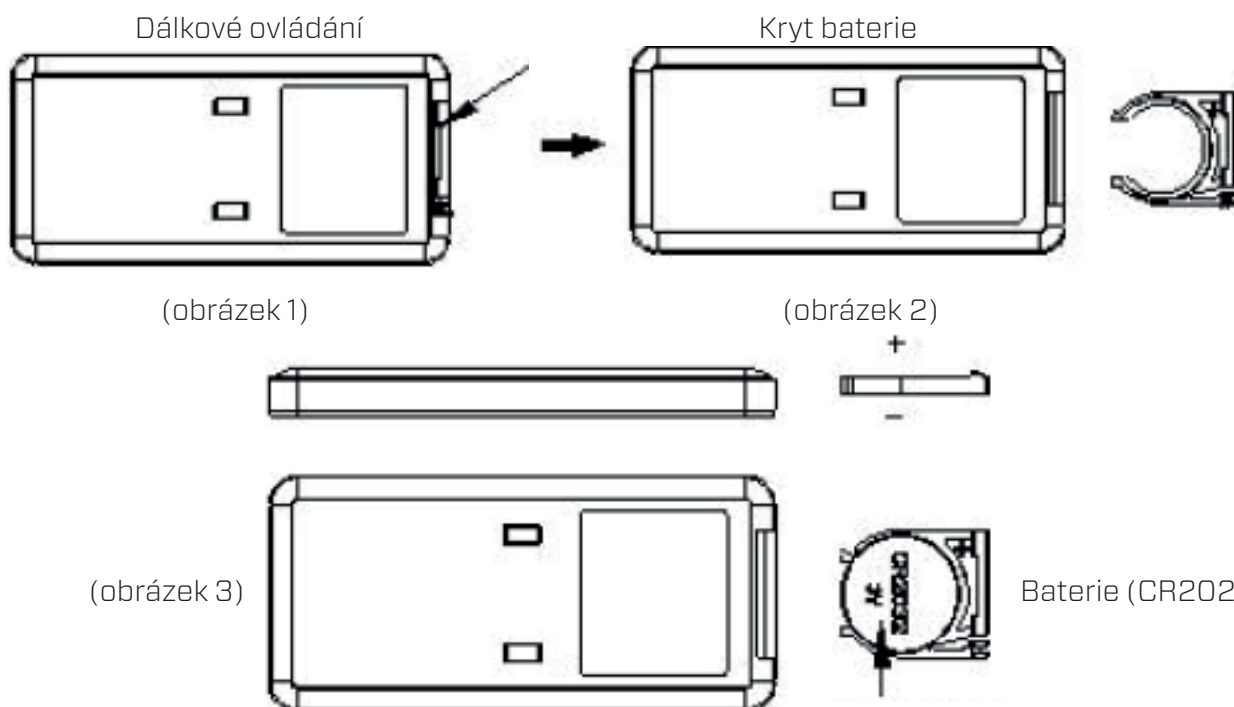
Tlačítka na vašem dálkovém ovládání:

1. Režim vytápění/čištění
2. Časovač
3. Režim
4. Čištění vzduchu
5. Dětská pojistka
6. Režim čištění
7. ZAP / VYP
8. Úroveň mlhy
9. Vlhkost
10. UV záření
11. Negativní ionty
12. WIFI



Dálkové ovládání

1. Chcete-li vložit do dálkového ovládání baterii, otevřete kryt na zadní straně ovladače. (viz obrázek 1).
2. Vložení baterie: ve spodní části dálkového ovládání se nachází „bezpečnostní pojistka“, kterou je nejprve třeba posunout doprava, abyste mohli vytáhnout držák baterie. (viz obrázek 2). Vložte baterii – dbejte přitom na správnou polaritu. (viz obrázek 3).
3. Zatlačte kryt baterie zpět.



Uvedení zařízení do provozu

Nejprve vyjměte zařízení Clean Air Optima[®] CA-806 Smart/ CA-808 Smart z krabice a nechte, aby se přizpůsobilo pokojové teplotě, a to alespoň po dobu 30 minut a obzvláště tehdy, je-li zařízení studené vlivem venkovního ovzduší. Umístěte je na pevný rovný povrch, jenž není choulostivý na působení vody, a nejméně 20 cm od zdi.

Zařízení CA-806 Smart & CA-808 Smart je navrženo tak, aby pracovalo v teplotním rozmezí 5–40 °C a za relativní vlhkosti nižší než 85 %.

Chcete-li začít, zvedněte těleso motoru, které je volné na nádrži na vodu. Vyjměte vodní filtr z tělesa vodního čerpadla. Vyjměte těleso vodního čerpadla z nádrže na vodu. Nyní můžete naplnit nádrž na vodu po rysku maxima na nádrži na vodu, nebo si můžete zvolit, že do nádrže na vodu nalijete méně vody.

Zvedněte karoseri



Víko nádržky a filtr



Naplnění pomocí v odvodního kohoutku



Poté nádržku umístěte pod **vodovodní kohoutek**. Naplňte ji vodou (mimo kohoutkové lze použít jakýkoli čistý vodní zdroj s teplotou pod 40 °C) a nasadte zpět víko a filtr.

Horní plnění: Nádržku na vodu lze doplňovat také z vodovodního kohoutku. Přímou v horní části zvlhčovače.

Horní plnění



Vyměňte nádržku na vodu a filtry (obrázek 1.).

Nasadte kryt tělesa na horní část vodní nádrže a nasadte jej na filtr tak, aby kontaktní body ležely proti sobě (Obrázek 2.).

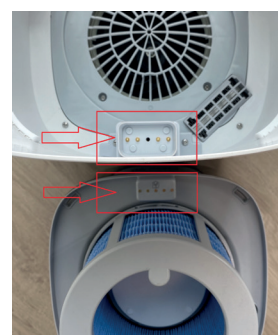
Zapojte napájecí kabel do vhodné zásuvky. Zařízení vydá zvukový signál, což znamená, že je v pohotovostním režimu.

Při zapnutí/vypnutí zvlhčovače se zobrazí hodnoty a vlhkost.

Obrázek 1.



Obrázek 2.



Zapnutí/vypnutí:

Stiskněte tlačítko napájení v pohotovostním režimu pro aktivaci zvlhčovače:

- Když je v nádrži na vodu voda, ozve se pípnutí a celý stroj se přepne do provozního režimu: Počáteční spouštěcí stav stroje: stroj pracuje na rychlosti 3, rozsvítí se ikona UV, vodní čerpadlo se spustí.
- Stiskněte toto tlačítko v provozním režimu: stroj přejde do stavu sušení vzduchem a po sušení vzduchem přejde do pohotovostního stavu; stroj je v provozním stavu (s výjimkou případu, kdy je zapnutá funkce dětské pojistky), stiskněte tlačítko „zap/vyp“ pro vstup do programu sušení vzduchem.

Proces sušení vzduchem funguje následovně:

- Stroj pracuje na rychlosti 4, rozsvítí se ikona „PTC topení zapnuto“, ostatní ikony na digitální obrazovce zhasnou; stroj se po 50 minutách programu sušení vzduchem vypne a přepne se do pohotovostního režimu. (Poznámka: Funkce topení se vypne předem, 45. minutou programu sušení vzduchem).
- Během sušení vzduchem stiskněte tlačítko zap/vyp, přístroj ukončí režim sušení vzduchem a přejde do pohotovostního stavu.



Tlačítko UV/Tlačítko pro negativní ionty:

Přístroj se spustí se zapnutou UV lampou. Opětovným stisknutím tlačítka jej vypnete. Pro zapnutí ionizátoru podržte tlačítko po dobu 3 sekund. Opětovným stisknutím po dobu 3 sekund ionizátor vypnete.

Funkce UV sterilizace ničí bakterie v mlze a proudí vzduch, než se mlha dostane do místnosti.

Stisknutím **tlačítka pro ionizaci zápornými ionty** dojde k aktivaci generátoru záporných iontů s celkovou kapacitou > 3 000 000 záporných iontů / cm³, které jsou rozptýleny po celé místnosti, aby neutralizovaly znečišťující látky a pachy. Záporné ionty na sebe vážou prachové částice, mikroorganismy a jiné nežádoucí částičky v ovzduší a navzájem je propojují. Díky tomu jsou tak částice těžší než vzduch, což znamená, že spadnou na zem. Vy je tak nebudete vdechovat.

Negativní ionty se nejčastěji nachází v lesích, horách a u moře. Zajišťují čerstvé a zdravé ovzduší.



Nastavení vlhkosti:

Opakovaným stisknutím **tlačítka pro nastavení vlhkosti** můžete na displeji volit požadovanou úroveň vlhkosti (od 40 % do 80 % s 5% přírůstkem). Jakmile se dostanete na požadovanou úroveň, tlačítko již dále nemačkejte. Zvolená vlhkost se tak uloží.

Po nastavení displej bliká jednou za sekundu a poté třikrát nepřetržitě, aby se zobrazila aktuálně nastavená hodnota. Po blikání se zobrazí aktuální vlhkost s rozsahem zobrazení 20–90 % relativní vlhkosti.

Rychlost se nemění po dobu prvních 2 minut poté, co zařízení přejde do režimu konstantní vlhkosti. Po 2 minutách ventilátor pracuje podle následujícího harmonogramu:

1. Když vlhkost dosáhne nebo překročí nastavenou vlhkost, zařízení přestane zvlhčovat a ventilátor pracuje na rychlosti 1;
2. Když je skutečná vlhkost nižší než nastavená vlhkost „2 %“, přístroj pokračuje ve zvlhčování na rychlost 2;

3. Když je skutečná vlhkost nižší než nastavená vlhkost „4 %“, přístroj pokračuje ve zvlhčování na rychlost 3;
4. Když je skutečná vlhkost nižší než nastavená vlhkost „6 %“, přístroj pokračuje ve zvlhčování na rychlost 4.

Poznámka: Pokud se rychlost změní během režimu konstantní vlhkosti, zařízení poběží na nastavené hodnotě rychlosti po dobu 2 minut a poté se výše uvedený postup po 2 minutách zopakuje.

Stiskněte tlačítko „Vlhkost“, zařízení zobrazí aktuální nastavenou hodnotu vlhkosti, a poté stiskněte tlačítko „Vlhkost“ znovu pro úpravu hodnoty vlhkosti.



Tlačítko režimu/ Tlačítko WIFI:

Při prvním stisknutí tlačítka režimu se ikona „Automatický režim“ rozsvítí a poté třikrát zabliká, než se aktivuje automatický režim. Druhé stisknutí tlačítka režimu do tří sekund způsobí, že zařízení přejde do režimu zdraví. Ikona „Režim zdraví“ poté třikrát zabliká, než se aktivuje režim zdraví. A tak dále.

Pořadí střídání tlačítek režimů je následující: automatický režim -> režim zdraví -> režim spánku -> žádné nastavení -> automatický režim.

Automatický režim:

Po přepnutí do „Automatického režimu“ se vlhkost nastaví na 68 % a objem mlhy se nuceně zvlhčuje po dobu 5 minut na úrovni 4. Po 5 minutách se úroveň objemu mlhy upraví podle následujících požadavků:

Když je hodnota vlhkosti menší než 60 %, objem mlhy pracuje na 4 úrovních; když je hodnota vlhkosti mezi 60 % a 63 %, objem mlhy pracuje na 3 úrovních; když je hodnota vlhkosti mezi 64 % a 68 %, objem mlhy pracuje na 2 úrovních; když hodnota vlhkosti překročí 68 %, pracuje na 1 úrovni.

Zdravý režim:

Stiskněte tlačítko režimu podruhé. Ikona „Zdravý režim“ bude blikat třikrát za sekundu a poté se aktivuje Zdravý režim.

Po aktivaci Zdravého režimu se na digitálním ovladači rozsvítí ikona „Zdravý režim“, rozsvítí se záporné ionty a UV světlo a zařízení bude pracovat na úrovni 3.

Po aktivaci Zdravého režimu zařízení automaticky detekuje optimální úroveň vlhkosti na základě okolní teploty a zvýší nastavení vlhkosti o 5 % na základě zjištěné hodnoty. Pokud je například zjištěná hodnota 45 %, nastavená vlhkost bude 50 % atd.

Když zařízení dosáhne nebo překročí nastavenou vlhkost, ventilátor bude pracovat na úrovni 1. Když vlhkost klesne pod nastavenou vlhkost „2 %“, zařízení se vrátí na úroveň 3.

Režim spánku:

Stiskněte tlačítko Režim potřetí. Ikona „Režim spánku“ bude blikat třikrát za sekundu a režim spánku se aktivuje:

1. Funkce, které byly aktivovány před přechodem zařízení do režimu spánku (včetně UV záření, časování a záporných iontů), nejsou režimem spánku ovlivněny.
2. Po 10 sekundách, kdy zařízení přejde do režimu spánku, se displej vypne (kromě ikony „Režim spánku“) a zařízení pracuje na 75 % rychlosti mížného stupně 1.

Když zařízení během režimu spánku zjistí, že je nádržka na vodu prázdná, ikona „Nedostatek vody“ zůstane svítit, bzučák se neozve a zařízení přejde do pohotovostního režimu.

Připojení Wi-Fi:

Stiskněte a podržte tlačítko „Režim/Wi-Fi“ po dobu 3 sekund. Zařízení přejde do stavu párování Wi-Fi a ikona Wi-Fi bude blikat, dokud se zařízení úspěšně nespáruje. Znovu stiskněte a podržte tlačítko „Režim/Wi-Fi“ po dobu 3 sekund. Zazní jednou zvukový signál, zařízení ukončí párování Wi-Fi a ikona Wi-Fi zhasne.




Tlačítko režimu ohřevu/tlačítko režimu čištění:

Stisknutím tlačítka „Ohřev“ aktivujete funkci ohřevu. Ohřev zajišťuje rychlé a efektivní vysušení vodního filtru.

Po zapnutí funkce ohřevu pracuje zařízení na stupni 4. Rychlost nelze upravovat; tím se funkce ohřevu deaktivuje.

Pro deaktivaci této funkce znovu stiskněte tlačítko „Ohřev/Čištění“.

Stiskněte a podržte tlačítko „Ohřev/Čištění“. Zařízení ukončí režim „Ohřev/Čištění“ a přejde do režimu čištění .



Tlačítko úrovně mlhy:

Zařízení pokračuje ve zvlhčování a vlhkost nelze upravit.

Počáteční provozní stav zařízení je úroveň 3.

Zařízení má 4 úrovně. Stiskněte tlačítko pokaždé, abyste dosáhli úrovně na stupnici.

Pořadí úrovní mlhy je: 3-> 4-> 1 -> 2-> 3-> 4-> 1-> 2-> 3... a tak dále.

Vodní čerpadlo běží nepřetržitě první 2 minuty;

Po 2 minutách se vodní čerpadlo zastaví na 3 minuty a poté běží 15 sekund; poté se zastaví na 3 minuty a znovu běží 15 sekund atd.



Čištění vzduchu/ dětský zámek:

Stiskněte tlačítko „Čištění vzduchu/Dětský zámek“ pro spuštění režimu čištění vzduchu. Vodní čerpadlo se vypne a zařízení přestane zobrazovat vlhkost. Rozsvítí se ikona PM2.5, která indikuje aktuální kvalitu vzduchu. Dalším stisknutím se vrátíte do režimu zvlhčování.

Stiskněte a podržte tlačítko „Čištění vzduchu/Dětský zámek“ po dobu 3 sekund; rozsvítí se ikona zapnutí dětského zámku zařízení. Stiskněte a podržte tlačítko „Čištění vzduchu/Dětský zámek“ po dobu dalších 3 sekund; ikona vypnutí dětského zámku zařízení zhasne.



Varování před nedostatkem vody:

Poté, co zařízení zjistí, že je nádržka na vodu prázdná, přepne se do systému ohřevu a sušení a vstoupí do režimu nedostatku vody. V případě nedostatku vody kontrolka hladiny vody a barevná kontrolka nádržky na vodu třikrát červeně bliknou a třikrát pípnu. Poté aktivujte systém ohřevu a sušení „teplá mlha“ a po 30 minutách přepněte do pohotovostního režimu.

Nebo stiskněte tlačítko zapnutí/vypnutí pro vypnutí zařízení a doplnění nádržky na vodu.

Po doplnění nádržky na vodu kontrolka hladiny vody a barevná kontrolka nádržky na vodu zhasnou a zařízení se přepne do pohotovostního režimu.

Popis hladiny vody:

Stupnice nádržky na vodu jsou: plná voda, nedostatek vody.

1. Nízká hladina vody: Pokud vodní čerpadlo detekuje trvalý nedostatek vody po dobu 10 sekund, zařízení se přepne do stavu nízké hladiny vody.
2. Plnění nádržky na vodu: Doplnujte vodu vždy, když je zařízení zapnuto nebo vypnuto. Když je nádržka na vodu plná, digitální displej 5krát blikne a 5krát zazní bzučák. Na displeji se zobrazí FUL.

Ujistěte se, že je nádržka na vodu vždy zcela naplněna.

Časovač:

Stisknutím **tohoto tlačítka** nastavíte časovač. Tato funkce určuje, jak dlouho bude zvlhčovač vzduchu v provozu. Nastavit ji lze jednoduše tak, že pro každou požadovanou hodinu provozu zařízení stisknete tlačítko jednou. Časovač lze nastavit od 1 až po 12 hodin. Jak doba ubíhá, snižuje se nastavený čas, až dosáhne hodnoty 00:00. Poté se zařízení vypne.

Čištění po 72 hodinách provozu:

1. Pokud je zařízení v provozu 72 hodin, displej zobrazí „72 hodin“ a bude blikat, dokud se čas čištění nevynuluje.
2. Dlouze stiskněte tlačítko „Ohřev/Čištění“. Zařízení ukončí režim „Vlhkost“ a přejde do režimu Čištění.
3. Vyčistěte nádržku na vodu (doporučení).
4. Stiskněte a podržte tlačítko „Zap/Vyp“ po dobu 2 sekund, abyste vypnuli hlášení o čištění „72 hodin“. Na displeji se zobrazí „00 hodin“ a 3krát blikne. Poté se na displeji zobrazí vlhkost.
5. Pokud zařízení ještě nebylo v provozu 72 hodin, můžete režim čištění resetovat stisknutím a podržením tlačítka Zap/Vyp po dobu 2 sekund, čímž se čas zařízení vynuluje na 0 a znovu se přepočítá. Ikona „vlhkosti“ zobrazí „00H“ a 3krát blikne. Obnoví se normální stav displeje.

Po aktivaci režimu spánku se nezobrazuje žádná výzva k čištění. Po ukončení režimu spánku se zobrazí výzva k čištění.

Zobrazení vlhkosti:

Když je vlhkost nižší než 45 %, kontrolka nádrže na vodu svítí oranžově; když je vlhkost mezi 45 % a 60 %, kontrolka svítí modře; když je vlhkost nad 60 %, kontrolka svítí bíle. Jako zobrazená hodnota se používá průměrná hodnota.

Čištění a údržba

Čištění vodního filtru

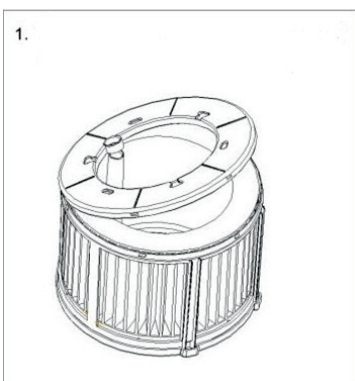
V některých oblastech je kvalita vody špatná. Po delším používání se na povrchu vodního filtru může usazovat vodní kámen nebo prach. Vodní filtr můžete rozebrat a opláchnout čistou vodou. Při běžném používání se doporučuje vyměňovat vodní filtr každých šest měsíců.

Vyjměte vodní filtr z přístroje a rozeberte spodní část.

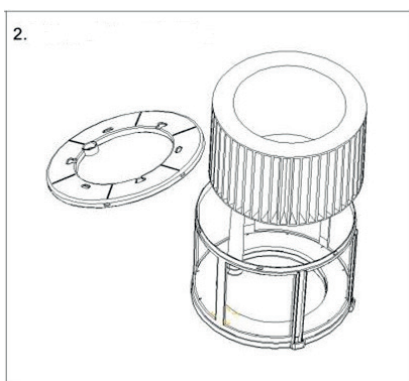
Vyjměte vodní filtr.

Opláchněte všechny nečistoty z povrchu vodního filtru vodou z vodovodu a znovu jej sestavte. Vložte jej zpět do přístroje.

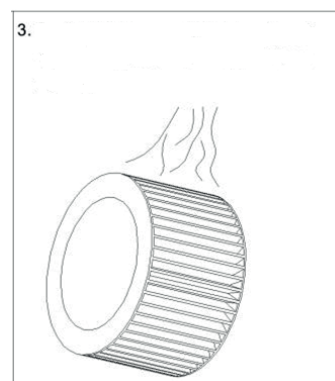
1.



2.



3.



Čištění filtru Hars

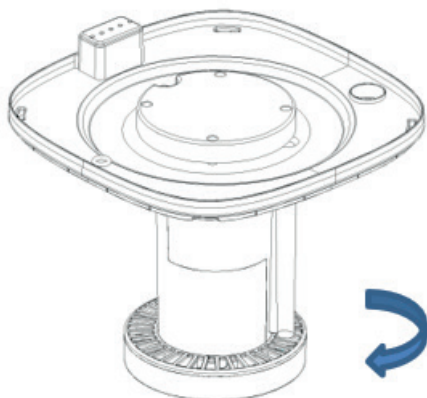
V některých oblastech je kvalita vody špatná. Po delším používání se na povrchu filtru Hars může usazovat vodní kámen nebo prach. Filtr Hars můžete rozebrat a opláchnout čistou vodou. Při běžném používání se doporučuje vyměňovat vodní filtr každých šest měsíců.

Zvedněte přepážku nádrže na vodu, otočte změkčovačem vody ve směru hodinových ručiček a po uvolnění přezky jej přímo vytáhněte (obrázek 1).

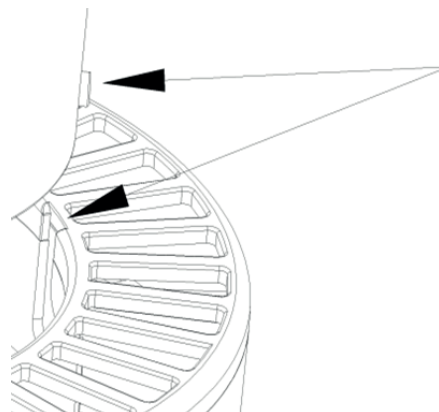
Opláchněte nečistoty na povrchu pryskyřičného filtru vodou z vodovodu a filtr znovu sestavte.

Zarovnejte a zasuňte žlábký označené šipkou na obrázku. Poté otáčejte změkčovačem vody proti směru hodinových ručiček, dokud neucítíte přezku (obrázek 2).

Obrázek 1.



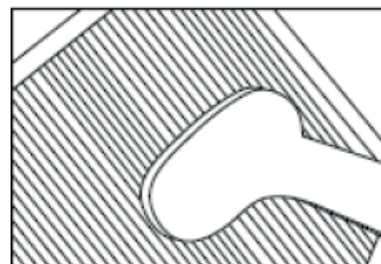
Obrázek 2.



Čištění filtru HEPA H13

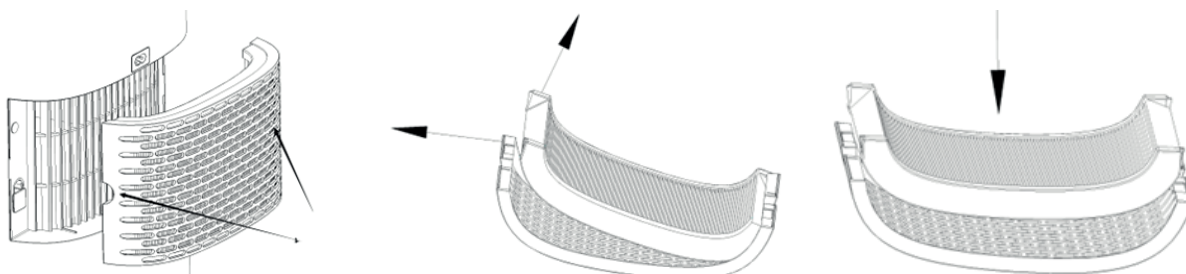
Nejlepšího účinku dosáhnete čišťením filtrů jednou měsíčně. Pokud je vzduch v interiéru extrémně znečištěný, může být vyžadováno intenzivnější čištění.

Vyčistěte **předřazený filtr** a **filtr HEPA** kartáčem nebo vysavačem. Tak lze z filtru odstranit větší prachové částice, jako jsou vlákna, vlasy a chlupy domácích mazlíčků.



Varování! Kompozitní filtry (**filtr HEPA + filtr s aktivním uhlím**) nikdy nesmáčejte ani neoplachujte vodou.

Vyjměte filtry z prostoru rámu filtru. Po výměně nebo čištění filtru znovu nasadte filtry zpět do prostoru rámu filtru a namontujte je zpět do zařízení, viz obrázek níže.



Známky opotřebení filtrů

Zvýšená hlasitost, snížený průtok vzduchu, ucpané filtry, vzrůstající přítomnost pachů. Filtr je nutné nahradit novým, pokud filtr HEPA změní barvu z bílé na šedou nebo černou. Pokud filtr HEPA zůstane bílý, NENÍ nutné filtr vyměňovat.

Objednávání filtrů:

Kontaktujte zákaznický servis Clean Air Optima na tel. + 31 (0) 742670145 nebo navštivte náš internetový obchod: <https://www.cleanairoptima.com/-accessoires>

Čištění vnější strany čističky vzduchu

1. Vypněte zařízení a vytáhněte zástrčku.
2. K čištění zařízení od prachu a nečistot použijte měkký a vlhký hadřík.
3. Zajistěte, aby se do zařízení nedostala **voda**.


Čistěte kontaktní body.

Kontaktní body pravidelně čistěte čistým a suchým hadříkem.



Výměna filtrů

Clean Air Optima CA-806 Smart / CA-808 Smart je vybaven mechanismem sledování životnosti filtrů, který signalizuje, že je nutné filtry (HEPA H13, vodní filtr, pryskyřičný filtr a filtr s iontovými ionty) vyměnit po 1000 provozních hodinách. Pro signalizaci nutnosti výměny těchto

položek zařízení vydá kontrolku s dvojitou nulou . Časovač filtrů resetujete stisknutím a podržením tlačítka úrovně mlhy  po dobu přibližně 4 sekund. Pokud kontrolka zhasne, časovač byl úspěšně resetován.

V závislosti na použití mají filtry životnost přibližně 3–6 měsíců. UV-C lampa je trvalá, není nutná výměna.

Vyjměte filtry z přihrádky rámu filtru. Po výměně nebo vyčištění filtru je znovu nainstalujte do přihrádky rámu filtru a sestavte je zpět do zařízení, viz kapitola čištění a údržba.

Umístění/výměna Clean Air Optima[®] s ionty stříbra Silver Ion SI-01

Ionty stříbra **Silver Ion SI-01** využívají antibakteriálních účinků stříbra a zamezují tak tvorbě bakterií a pachů ve vodě. Tyto **ionty** pracují i tehdy, když je váš zvlhčovač vzduchu vypnutý, aby voda zůstala stále čerstvá.

Vyměňte **je** na začátku zvlhčovací sezóny **nebo** po jednom roce používání.

Výměna iontů stříbra Silver Ion SI-01:

Chcete-li začít, zvedněte těleso motoru, které je volné na nádrži na vodu. Vyjměte vodní filtr z tělesa vodního čerpadla. Vyjměte těleso vodního čerpadla z nádrže na vodu.

Zvedněte karoseri



Víko nádržky a filtr



Silver Ion SI-01



1. Vyjměte použité ionty stříbra **Silver Ion SI-01**.
2. Vložte nové ionty stříbra **Silver Ion SI-01**.

Použité ionty stříbra **Silver Ion SI-01** vhazujte do běžného domovního odpadu.

Ionty stříbra **Silver Ion SI-01** nesmí být používány déle, než je uvedeno.

Ionty stříbra **Silver Ion SI-01** si můžete objednat v našem e-shopu na adrese www.cleanairoptima.com

Skladování odvlhčovače/ čističky vzduchu Clean Air Optima[®]

Pokud odvlhčovač/čističku vzduchu nebudete delší dobu používat:

1. Nejprve vyprázdněte a osušte nádržku na vodu.
2. Spusťte program sušení vzduchem (viz část „Tlačítko napájení“).
3. Odpojte zařízení ze zásuvky a srolujte napájecí kabel.
4. Vyjměte a vyčistěte filtry. Po vyčištění filtry vraťte zpět.
5. Zařízení skladujte na chladném a suchém místě mimo dosah přímého slunečního záření, extrémních teplot a nadměrného prachu.
5. Pokud zařízení nebudete delší dobu používat, je nejlepší na něj nasadit ochranný kryt, abyste zabránili hromadění prachu. To může způsobit problémy s čištěním a údržbou v budoucnu.

Čištění nádržky na vodu

Voda se musí pravidelně měnit v nádrži na vodu. Voda by neměla zůstat v nádrži déle než 3 dny.

- Upozorňujeme, že vysoká vlhkost může podporovat růst biologických organismů v prostředí.
- Nenechávejte okolí zvlhčovače vlhké nebo mokré. Pokud se objeví vlhkost, snižte výstup zvlhčovače. Pokud výstupní objem zvlhčovače nelze snížit, použijte zvlhčovač přerušovaně. Nedovolte, aby savé materiály, jako jsou koberce, záclony, závěsy nebo ubrusy, zvlhly.
- Během plnění a čištění vytáhněte zástrčku ze zásuvky.
- Nikdy nenechávejte vodu v nádrži, když se spotřebič nepoužívá.
- Před uskladněním zvlhčovač vyprázdněte a vyčistěte. Před dalším použitím zvlhčovač vyčistěte.
- Vyčistěte vnitřek nádržky na vodu jemným čisticím prostředkem a opláchněte čistou vodou.

Upozornění: Mikroorganismy, které se mohou vyskytovat ve vodě nebo v prostředí, kde se zařízení používá, mohou růst v nádrži na vodu a být vyfouknuty do vzduchu. To může vést ke zdravotním rizikům, pokud se voda nemění a nádrž není každé 3 dny řádně vyčištěna.



Ovládání pomocí aplikace Clean Air Optima[®]

Konektivita

Kompatibilita s chytrými telefony a tablety:



zařízení iPhone, iPad a Android

Propojení zařízení přes WiFi s aplikací:

CleanAirOptima

Upozornění: Router musí být nastaven na širokopásmové pásmo 2,4 GHz. Pokud je router nastaven na 5,0 GHz, není možné navázat spojení.

Nastavení připojení WiFi

1. Stáhněte si a nainstalujte aplikaci „CleanAirOptima“ v App Store nebo obchodě Google Play.
2. Vytvořte si účet a přihlaste se.
3. Router musí být nastaven na širokopásmové připojení 2,4 GHz. Pokud je router nastaven na 5,0 GHz, nelze navázat žádné spojení.
4. Ujistěte se, že je ve vašem chytrém telefonu povolen Bluetooth.
5. Zapojte zařízení do zásuvky a zapněte jej. Ukazatel WiFi začne blikat. Pokud kontrolka WiFi neblinká, stiskněte na 5 sekund tlačítko „REŽÍMS/ WIFI“. Poté bude kontrolka WIFI rychle blikat. Pokud kontrolka WIFI rychle bliká, zařízení je připraveno k připojení.
6. Ujistěte se, že je váš chytrý telefon nebo tablet úspěšně připojen k síti Wi-Fi.
7. Otevřete aplikaci „CleanAirOptima“ a klepněte na „Přidat zařízení“ . Vaše zařízení je v seznamu a můžete ho vybrat. Pokud ne, zvolte „Automatické skenování“. Pro připojení zařízení k síti postupujte podle pokynů na obrazovce.
8. Přidejte do aplikace zařízení Clean Air Optima[®] a postupujte podle pokynů v aplikaci.
9. Pokud je zařízení spárováno, ukazatel WiFi  zůstane trvale svítit.
10. Po úspěšné konfiguraci můžete zařízení ovládat pomocí aplikace Clean Air Optima[®].

Poznámka:

- Pokud se vaše výchozí síť změnila, musíte znovu nastavit připojení Wi-Fi. Postupujte podle kroků 1 až 10 v části „Nastavení připojení WiFi“.
- Pokud chcete s chytrým telefonem nebo tabletem spárovat více zařízení, musíte je spárovat postupně.
- Ujistěte se, že vzdálenost mezi chytrým telefonem nebo tabletem a zařízením je menší než 5 metrů a že neexistují žádné překážky. Také se ujistěte, že jste ve stejné místnosti jako zařízení.

Resetujte funkci WiFi:

- Zařízení musí být zapnuté.
- Resetujte WiFi stisknutím tlačítka „REŽÍMS/ WIFI“ na 5 sekund, ukazatel WiFi bude rychle blikat.



Vypněte funkci WiFi:

- Resetujte WiFi stisknutím tlačítka „Mode“ na 5 sekund, ukazatel WiFi bude rychle blikat.
- Vypněte Wi-Fi stisknutím tlačítka „Mode“ na dalších 5 sekund, ukazatel Wi-Fi zhasne.

Připojte zařízení k více telefonům

Poznámka: Nejprve musí druhá osoba nainstalovat aplikaci Clean Air Optima[®] na svůj telefon a vytvořit nový účet.

Sdílejte zařízení s omezeným přístupem:

Můžete se rozhodnout sdílet jedno zařízení s více osobami.

Tato osoba pak bude mít přístup, ale nebude moci provádět všechna nastavení.

Chcete-li zařízení sdílet s více osobami, postupujte podle níže uvedených pokynů:

1. Přejděte na příslušné zařízení.
2. Přejděte na symbol tužky nebo tří teček vpravo nahoře.
3. Vyberte možnost „Sdílet zařízení“.
4. Vyberte možnost „Přidat sdílení“.
5. Vyberte způsob sdílení, např. prostřednictvím e-mailu, WhatsApp, SMS atd., a pokračujte.
6. Zařízení se automaticky zobrazí v aplikaci Clean Air Optima[®] u dalšího účtu.

Sdílejte zařízení s plným přístupem:

Do správy domova můžete přidat osobu nebo několik osob.

Tato osoba pak bude mít přístup ke všem vašim zařízením, která jsou již propojena, a bude mít plná práva a oprávnění. Vždy zůstanete hlavním správcem.

Chcete-li někoho přidat do správy domova, postupujte podle níže uvedených pokynů:

1. Spusťte aplikaci Clean Air Optima[®] a přejděte na možnost „Já“.
2. Poté vyberte možnost „Správa domova“.
3. Vyberte možnost „Vytvořit domov“.
4. Vyberte příslušnou položku „Domov“ a „Přidat člena“.
5. Vyberte způsob sdílení, např. prostřednictvím e-mailu, WhatsApp, SMS atd., a pokračujte.
6. Odpovídající „Domov“ se automaticky zobrazí v aplikaci Clean Air Optima[®] osoby, se kterou jste sdíleli váš „Domov“.
7. Na druhém účtu:
Přejděte na domovskou obrazovku z aplikace Clean Air Optima[®]. V levé horní části zvolte „Domov“.

Aromaterapie

Aktivace aromatické funkce:

- Vyměňte zásobník na aroma z držáku.
- Nalijte na houbičku 5–10 kapek esenciálního oleje Clean Air Optima[®].
- Vložte zásobník zpět do držáku.
- Aromatická funkce se aktivuje poté, co zvlhčovač vzduchu zapnete.
- Chcete-li tuto funkci deaktivovat nebo pokud nebudete zařízení delší dobu používat, vyjměte aroma houbičku z přihrádky a umyjte ji trochou jemné mýdlové vody. Než ji vložíte zpět do přihrádky, nechte ji kompletně vyschnout. Aroma houbičku lze používat opakovaně.



Důležité

Abyste dosáhli nejlepších výsledků a užili si zvlhčovač vzduchu na maximum, měli byste si pozorně přečíst následující pokyny ohledně využívání esenciálních olejů v zvlhčovači vzduchu CA-806 Smart/ CA-808 Smart.

Využívání esenciálních olejů v zařízení CA-806 Smart/ CA-808 Smart

Využijte našich vysoce kvalitních esenciálních olejů a dopřejte si soukromou aromaterapii! Požitek z vůně na té nejvyšší úrovni!

V našem sortimentu můžete najít ty nejkvalitnější esenciální oleje mnoha různých vůní.

Pro zvlhčovač vzduchu CA-806 Smart/ CA-808 Smart jsou ideální volbou – byly totiž pro toto zařízení speciálně vyvinuty:



Esenciální oleje **si můžete objednat** v našem e-shopu na adrese www.cleanairoptima.com

Varování!

Používání esenciálních olejů, jež nebyly pro tento zvlhčovač vzduchu speciálně vyvinuty, nebo jiných přídatných látek (např. parfémů a přípravků na čištění vody) může toto zařízení poškodit, a proto je jejich používání **ZAKÁZÁNO!** **Nikdy do nádržky na vodu ani vodní komory nepřidávejte jiné než určené čisté esenciální oleje nebo další látky! I malé množství těchto látek by mohlo poškodit plast a způsobit praskliny.**

Tyto přídatné látky jsou pro materiál zařízení zcela nevhodné. I pouhá jedna kapka může poškodit jak nádržku na vodu/vodní komoru, tak celkovou funkčnost zařízení. Zařízení, k jehož poškození dojde vlivem těchto látek, nepodléhá záruce.

Čištění a údržba

Budete-li dodržovat několik jednoduchých pokynů, jak o zvlhčovač vzduchu a čistička vzduchu **Clean Air Optima[®] CA-806 Smart/ CA-808 Smart** pečovat, můžete si zajistit mnoho let jeho bezproblémového provozu. Pokud je vaše voda tvrdá a obsahuje vysoké koncentrace vápníku a dalších minerálů, může se vám po čase na nejrůznějších površích v místnosti začít usazovat bílý prach (vápenatý povlak). Bílé usazeniny (vodní kámen) se mohou rovněž začít tvořit ve vodní komoře a po vnitřních stranách nádržky na vodu. Vápenné usazeniny naruší správnou funkci **ochlazovače vzduchu** a účinnou hygienickou funkci jednotky.

Doporučujeme postupovat následovně

1. Pokud zařízení používáte denně, čistěte **nádržku na vodu** jednou týdně pomocí **čističe a odvápňovače Clean Air Optima[®]**.
2. Jakmile je třeba nádržku na vodu doplnit, vylijte zbývající vodu a vyměňte ji za novou.
3. Pokud zařízení nebudete používat, kompletně jej umyjte a nechte všechny části zcela vysušit.



Speciálně vyvinuté pro ochlazovače vzduchu, zvlhčovače a odvlhčovače **Clean Air Optima[®]**:

- Neagresivní složení
- Chrání plastové a keramické materiály ochlazovače vzduchu, zvlhčovače a odvlhčovače
- Bez zápachu
- Zajišťuje rychlé a důkladné čištění a odvápňení
- Biologicky odbouratelný

Čistič a odvápňovač Clean Air Optima[®] si můžete objednat v našem e-shopu na adrese www.cleanairoptima.com.


Řešení možných problémů



Následující návod pro řešení možných problémů Vám pomůže vyřešit jakékoli potíže, které mohou při používání zvlhčovače vzduchu a čistička vzduchu **Clean Air Optima[®] CA-806 Smart/CA-808 Smart** nastat.

Problém	Možná příčina	Řešení
Netvoří se žádná mlha.	Není zapojen napájecí kabel. Nebylo stisknuto tlačítko zapnutí/vypnutí. Nádržka na vodu je prázdná. V nádržce je málo vody.	Zapojte napájecí kabel do zásuvky. Stiskněte tlačítko zapnutí/vypnutí. Napusťte do nádržky vodu. Doplňte do nádržky vodu.
Mlha podivně zapáchá.	Nové zařízení. Bud' je voda špinavá, nebo byla v nádržce příliš dlouho.	Vyjměte nádržku, odšroubujte víko a nechte ji větrat na chladném místě po dobu 12 hodin. Vyčistěte nádržku a napusťte do ní čistou vodu.
Objem rozprašované mlhy je příliš nízký.	Velké množství minerálních usazenin ve vodní komoře a na měniči. Voda je příliš špinavá nebo byla v nádržce ponechána příliš dlouho.	Vyčistěte nádrž na vodu a snímač pomocí: Čistič a odvápňovač Clean Air Optima[®]. Vyčistěte nádržku a napusťte do ní čistou vodu.
Zařízení je hlučné.	Nádržka na vodu není umístěna správně. V nádržce je málo vody. Zařízení je umístěno na nestabilním povrchu.	Umístěte nádržku na základnu správným způsobem. Doplňte do nádržky vodu. Umístěte zařízení na pevný a rovný povrch.
Mlha vychází okolo výstupní trysky.	Mezi krytem okolo trysky a vrchní částí nádržky na vodu jsou mezery.	Odstraňte trysku z vrchní části nádržky a otřete ji vlhkým hadříkem. Připevněte ji zpět na nádržku.
Ovládání pomocí aplikace Clean Air Optima [®] nefunguje.	Chytrý telefon nebo tablet není připojen k síti Wi-Fi. Zařízení nemá připojení k síti.	Zapněte zařízení a resetujte WiFi na zařízení stisknutím tlačítka Ruční spánku na 5 sekundy. Kontrolka WiFi bude rychle blikat. Poté postupujte podle kroků 3 až 10 v kapitole Ovládání pomocí aplikace Clean Air Optima[®].

Řešení možných problémů

Následující návod pro řešení možných problémů Vám pomůže vyřešit jakékoli potíže, které mohou při používání zvlhčovače vzduchu a čistička vzduchu **Clean Air Optima[®] CA-806 Smart/ CA-808 Smart** nastat.

Problém	Možná příčina	Řešení
Displej zobrazuje dvojitou nulu  .	Je třeba vyměnit filtry.	Resetujte časovač filtru stisknutím a podržením tlačítka MODE po dobu přibližně 3 sekund. Jakmile kontrolka zhasne, časovač byl úspěšně resetován.
Displej zobrazuje 72H hodin..	99	Stiskněte tlačítko napájení po dobu 3 sekund pro reset.

Symbole	Významy
	Tento symbol znamená, že filtr musí být před spuštěním spotřebiče zkontrolován a v případě potřeby vyčištěn. Filtr vyměňujte každé 2 až 3 měsíce.
	Tento symbol znamená, že nádrž na vodu by se měla čistit každé 3 dny. Vyměňte vodu v nádrži každé 3 dny. Než začnete čistit, vytáhněte zástrčku ze zásuvky.

Pokud je vaše voda velmi tvrdá (obsahuje extrémně vysoké koncentrace minerálů), může zařízení vytvářet bílý prach. Nejedná se o závadu. Tento problém lze řešit častější výměnou vodního filtru nebo používáním měkčí vody, např. destilované.

VAROVÁNÍ!

Pokud výše uvedená řešení nepomohou, obraťte se na technickou podporu Clean Air Optima na telefonním čísle určeném pro váš region. Nepokoušejte se zařízení rozebrat, znovu sestavit nebo opravit, protože může dojít k propadnutí záruky.

Technické parametry CA-806 Smart

Model	CA-806 Smart
Pro místnosti do velikosti	60 m ² / 150 m ³ / 645 ft ²
Jmenovité napětí	100 V – 240 V, 50/60 Hz
Jmenovitý výkon	30 W–Max. 230 W
Objem zvlhčování vzduchu	Min. 250 ml/h–max. 800 ml/h
Kapacita ventilátoru (CADR)	220 m ³ /h
Aktivní kyslík	<0,05 ppm
Hladina hluku	Tichý ventilátor < 25 dB(A)
Rozměry	260 × 260 × 508 mm
Hmotnost	5,0 kg
Nádržka na vodu	8,0 l
Barva	Bílá, nádržka na vodu z kouřového skla

Technické parametry CA-808 Smart

Model	CA-808 Smart
Pro místnosti do velikosti	80 m ² / 200 m ³ / 856 ft ²
Jmenovité napětí	100 V – 240 V, 50/60 Hz
Jmenovitý výkon	30 W–Max. 230 W
Objem zvlhčování vzduchu	Min. 300 ml/h–max. 1000 ml/h
Kapacita ventilátoru (CADR)	220 m ³ /h
Aktivní kyslík	<0,05 ppm
Hladina hluku	Tichý ventilátor < 25 dB(A)
Rozměry	260 × 260 × 508 mm
Hmotnost	5,0 kg
Nádržka na vodu	8,0 l
Barva	Bílá, nádržka na vodu z kouřového skla

Splňuje požadavky předpisů EU CE/WEEE/RoHS

Požádejte svého prodejce nebo obec o aktuální informace týkající se likvidace obalu a tohoto zařízení.



Servis

Záruční list pro zvlhčovač vzduchu a čistička vzduchu Clean Air Optima® CA-806 Smart/ CA-808 Smart.

Datum nákupu:
Jméno zákazníka:
Adresa:
Telefon:
E-mail:
Jméno prodejce:
Adresa:

1. Tento záruční list prosím vyplňte. Zašlete jej spolu s fakturou a spotřebičem, s poštovním hrazeným předem a v původním obalu svému distributorovi. Přesvědčte se, že jste uhradili poštovné za vrácení zásilky.
2. Připojte krátký popis poškození, vady nebo poruchy a okolnosti, za kterých k uvedenému problému došlo.

Zvlhčovač vzduchu a čistička vzduchu **Clean Air Optima® CA-806 Smart/ CA-808 Smart** byl u výrobce podroben přísným testům. Pokud v průběhu 2 let od data zakoupení produkt přestane fungovat v souladu se specifikacemi z důvodu výrobních vad, kupující má právo na bezplatnou opravu nebo výměnu součástí na základě předložení tohoto záručního listu (za předpokladu, že k poruše nebo poškození zařízení, případně součástí, došlo za běžných provozních podmínek). Záruka se vztahuje na následující: všechny součásti, u nichž se projeví vada materiálu nebo výrobní vada. Jak dlouho: po dobu dvou let od data zakoupení. Co uděláme: opravíme nebo vyměníme jakékoli vadné součásti.

Další podmínky

Ustanovení tohoto záručního listu jsou namísto jakékoli písemné záruky, ať již výslovné či mlčky předpokládané, písemné nebo ústní, včetně záruky prodejnosti a vhodnosti pro konkrétní účel. Maximální odpovědnost výrobce nepřekročí aktuální kupní cenu, za kterou bylo zařízení zakoupeno. Za žádných okolností výrobce nenesou odpovědnost za zvláštní, následné ani nepřímé škody. Tato záruka se nevztahuje na vady, které vznikly v důsledku nesprávného nebo nepřiměřeného použití či údržby, vadné montáže, havárie, přírodní katastrofy, nesprávného zabalení nebo neoprávněného zásahu, změny nebo úpravy podle našeho vlastního úsudku. Tato záruka propadá, pokud dojde k odstranění štítku s výrobním číslem nebo pokud se tento štítek stane nečitelným.

Nikdy do nádržky na vodu ani vodní komory nepřidávejte jiné než určené čisté esenciální oleje nebo další látky! I malé množství těchto látek by mohlo poškodit plast a způsobit praskliny.

Děkujeme Vám za přečtení těchto pokynů.



Máte-li k zvlhčovači vzduchu a čistička vzduchu Clean Air Optima® CA-806 Smart/ CA-808 Smart jakékoli komentáře, podělte se o ně s námi na adrese: www.cleanairoptima.com



Často kladené otázky týkající se produktu CA-806 Smart/ CA-808 Smart najdete na adrese: www.cleanairoptima.com, kde do vyhledávání zadejte CA-806 Smart/ CA-808 Smart.



Uživatelskou příručku ve formátu PDF stáhnete na: www.cleanairoptima.com/info/manuals



Podívejte se na všechna animační videa týkající se produktu Clean Air Optima® na adrese: www.youtube.com

Clean Air Optima International B.V. | Rientjesoven 26 | 7621 HG Borne
Nizozemsko | Telefon: +31 (0) 74 - 2670145

Clean Air Optima Germany GmbH | Enschedestraße 14 | 48529 Nordhorn
Německo | Telefon: +49 (0) 5921 879-121

E-mail: info@cleanairoptima.com

Internet: www.cleanairoptima.com

Română

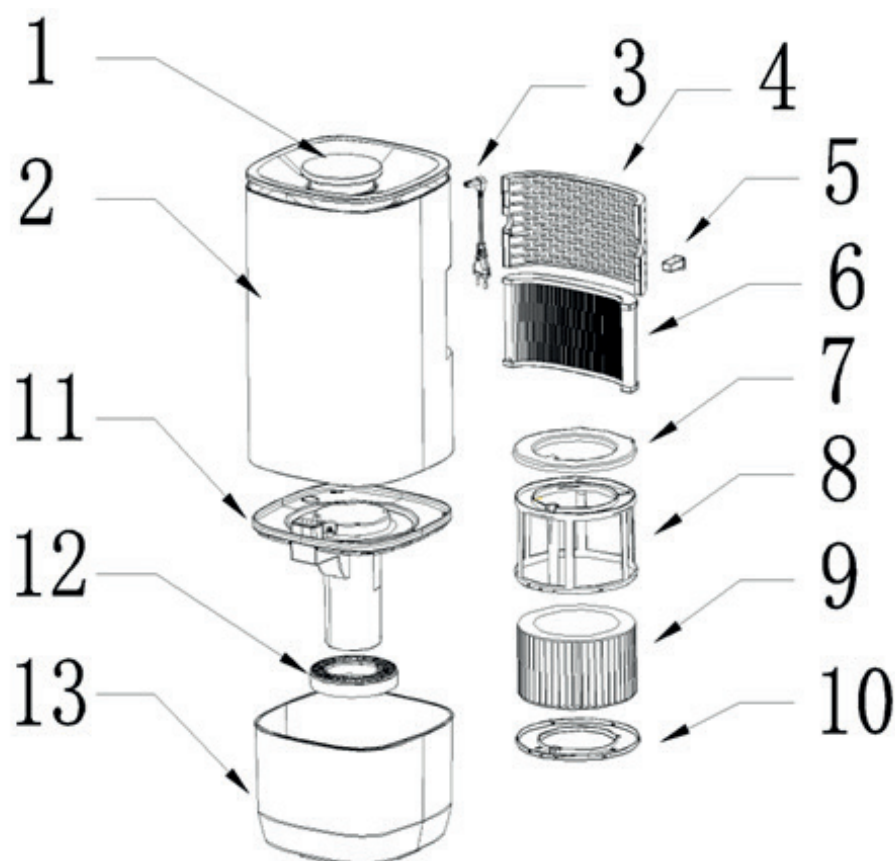
Vă mulțumim pentru achiziționarea umidificatorului evaporativ și purificatorului de aer Clean Air Optima® CA-806 Smart/CA-808 Smart.

Vă dorim să vă bucurați de mulți ani de aer interior sănătos cu acest produs eficient și eficace.

Aceste instrucțiuni descriu măsurile de precauție care trebuie respectate pe durata funcționării. Acestea sunt menite să prevină răniile și să evite deteriorarea dispozitivului.

CA-806 Smart/ CA-808 Smart

Unitate principală



Descrierea dispozitivului

Dispozitivul constă din următoarele componente principale:

- | | |
|--|---|
| 1. Capac afișaj | 8. Suport filtru apă |
| 2. Carcasă | 9. Filtru apă |
| 3. Cablu de alimentare | 10. Suport filtru apă (partea inferioară) |
| 4. Grilă admisie aer | 11. Instalare pompă de apă |
| 5. Cutie de aromă | 12. Filtrul Hars |
| 6. Filtru HEPA | 13. Rezervor de apă |
| 7. Suport filtru apă (partea superioară) | |

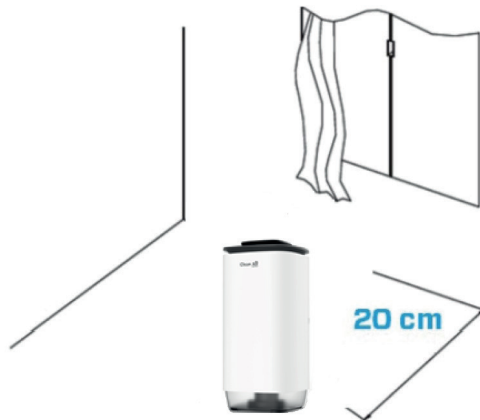
Avertismente privind siguranța

Acest dispozitiv poate fi utilizat numai în conformitate cu aceste instrucțiuni de siguranță. Efectuați pașii următori pentru a reduce riscul de vătămare corporală provocată, de exemplu, de șocuri electrice sau incendiu.

1. Numai pentru utilizare în interior. Nu-l utilizați sau depozitați în exterior.
2. Utilizați tensiunea corespunzătoare: c.a. 220 V - 240 V, 50/60 Hz
3. Acest aparat poate fi utilizat de către copii cu vârsta peste 8 ani sau mai mari și de persoane cu capacități fizice, senzoriale sau mentale reduse sau cu lipsă de experiență și cunoștințe, dacă sunt supravegheați sau instruiți cu privire la utilizarea dispozitivului în condiții de siguranță și dacă înțeleg pericolele implicate. Acest dispozitiv nu este destinat pentru jocul copiilor. Curățarea și operațiunile de întreținere NU trebuie să fie efectuate de către copii fără supraveghere.
4. Trebuie să opriți dispozitivul înainte de a adăuga apă.
5. Asigurați-vă că dispozitivul funcționează întotdeauna cu rezervorul de apă plin.
6. Nu lăsați apă în rezervorul de apă atunci când aparatul nu este utilizat.
7. Atenție: În apa din mediul în care este utilizat sau depozitat aparatul pot fi prezente microorganisme. Dacă apa nu este schimbată regulat sau acvariul nu este curățat la fiecare 3 zile, acești microbi se pot dezvolta în acvariu și se pot evapora în aer, ceea ce poate cauza probleme grave de sănătate.
8. Schimbați apa la fiecare 3 zile.
9. Este strict interzisă acoperirea orificiilor de admisie și evacuare a aerului cu orice obiect în timp ce dispozitivul este în funcțiune.
10. Pentru a utiliza dispozitivul în siguranță, așezați-l într-o poziție orizontală stabilă. Nu mișcați dispozitivul în timpul utilizării.
11. Pentru a evita interferențele și deteriorarea altor dispozitive electronice, acest aparat trebuie amplasat la o distanță de cel puțin 1 metru de calculatoare, televizoare, radiouri sau alte echipamente electronice.
12. Nu utilizați dispozitivul atunci când există deteriorări vizibile ale cablului electric sau ale dispozitivului. Nu reparați dvs. înșivă dispozitivul în caz de deteriorare. Nu manevrați dispozitivul trăgându-l de cablu. În cazul în care cablul de alimentare este deteriorat, acesta trebuie înlocuit de către o persoană autorizată pentru efectuarea reparațiilor, pentru a preveni un șoc electric sau incendiu.
13. Reparațiile pot fi efectuate numai de către personalul autorizat. Nu încercați să reparați dvs. înșivă dispozitivul, pentru a preveni electrocutarea sau incendiul.
14. Scoateți întotdeauna fișa din priză atunci când dispozitivul nu este utilizat sau când curățați părțile interne sau externe ale acestuia.
15. Scoateți rezervorul de apă înainte de a muta dispozitivul.
16. Utilizați numai cablurile furnizate.
17. Nu utilizați dispozitivul în încăperi în care sunt depozitate lichide sau gaze inflamabile sau în apropierea surselor de căldură sau în încăperi deosebit de umede, cum ar fi în baie, în cabina de duș sau la piscină.
18. Pentru a preveni defectiunile, nu introduceți niciodată obiecte străine în dispozitiv.
19. Nu demontați și nici nu înlocuiți componentele interioare ale dispozitivului.
20. Nu așezați dispozitivul în lumina directă a soarelui, pentru că acesta se poate decolora.
21. Nu scufundați niciodată aparatul în apă sau alte lichide.
22. Nu atingeți cablul de alimentare cu mâinile ude.
23. Curățați și uscați dispozitivul înainte de depozitare (eliminați inclusiv toată apa din interiorul dispozitivului). Depozitați aparatul într-un loc răcoros și uscat, departe de îndemâna copiilor.
24. Nu curățați cuva cu apă atunci când apa este încă fierbinte.
25. Utilizați, întrețineți și curățați dispozitivul conform descrierii din acest manual.

Instalare

Asigurați-vă că distanța de la dispozitiv la pereți și mobilier este de 20 cm, vedeți ilustrația de mai jos.



Îndepărtați mai întâi etanșarea filtrelor.



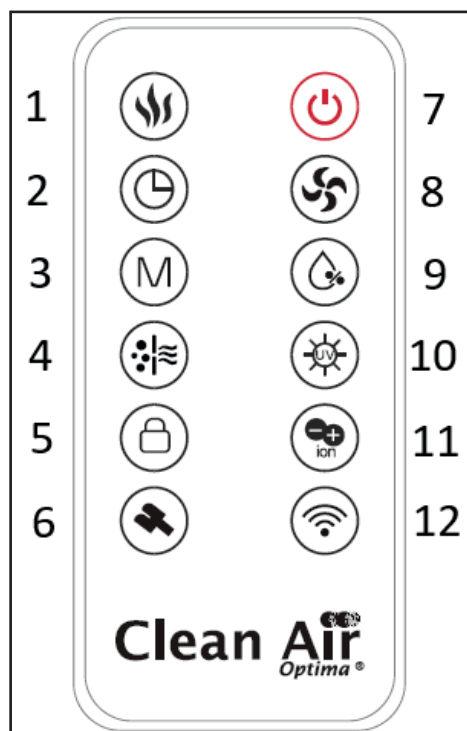
Îndepărtați folia de protecție de pe ecran.



Telecomandă

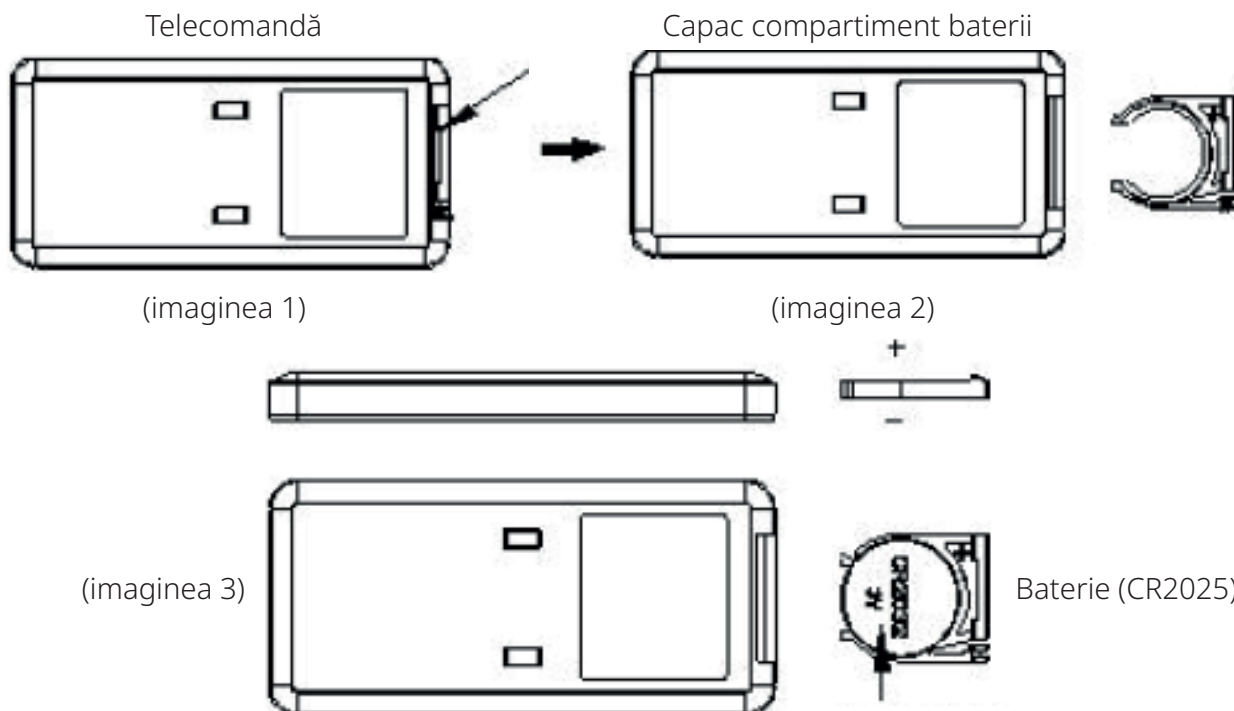
Butoanele de pe telecomandă:

1. Mod Încălzire/Curățare
2. Temporizator
3. Mod
4. Purificare Aer
5. Blocare pentru copii
6. Mod Curățare
7. PORNIT / OPRIT
8. Nivel de ceață
9. Umiditate
10. UV
11. Ioni negativi
12. WIFI



Telecomandă

1. Deschideți capacul compartimentului pentru baterii din partea din spate a telecomenzii pentru a introduce bateria. (a se vedea imaginea 1).
2. Pentru a introduce bateria: în partea de jos a telecomenzii există o „clapă de securitate” pe care trebuie să o glisați mai întâi spre dreapta, apoi să scoateți suportul bateriei. (a se vedea imaginea 2). Introduceți bateria cu polaritatea corectă. (a se vedea imaginea 3).
3. Puneți capacul compartimentului pentru baterii înapoi în telecomandă.



Instrucțiuni de utilizare

Înainte de a începe, scoateți dispozitivul Clean Air Optima[®] CA-806 Smart/ CA-808 Smart din cutie și lăsați-l să se obișnuiască cu temperatura camerei timp de cel puțin 30 de minute, mai ales dacă aparatul este rece. Așezați dispozitivul pe o suprafață solidă, netedă și rezistentă la apă, la cel puțin 20 cm de perete.

Dispozitivul CA-806 Smart & CA-808 Smart este proiectat să funcționeze la temperaturi cuprinse între 5 -40 °C și umiditate relativă mai mică de 85 %.

Pentru a începe, ridicați carcasa, aceasta este slăbită de rezervorul de apă. Scoateți filtrul de apă din carcasa pompei de apă. Scoateți carcasa pompei de apă din rezervorul de apă. Acum puteți umple rezervorul de apă până la linia maximă de pe rezervorul de apă sau puteți alege să puneți mai puțină apă în rezervorul de apă.

Ridicați carcasa



Capac și filtru rezervor de apă



Robinet pentru umplere



Apoi puneți rezervorul de apă sub **robinet** pentru umplere. Umpleți rezervorul cu apă de la robinet (sau altă sursă de apă curată cu temperatura apei sub 40 °C), puneți la loc capacul și filtrul.

Umplere completă: Rezervorul de apă poate fi reumplut cu o stropitoare direct din partea de sus a umidificatorului.

Umplere completă



Figura 1.

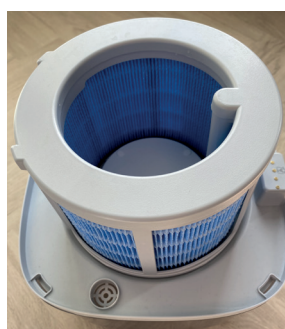
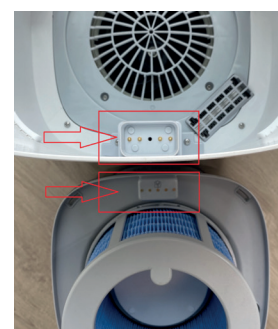


Figura 2.



Înlocuiți rezervorul de apă și filtrele (Figura 1.). Înlocuiți carcasa corpului deasupra rezervorului de apă și glisați-o peste filtru, astfel încât punctele de contact să se afle unul împotriva celuilalt (Figura 2.).

Conectați fișa de alimentare la o priză adecvată, sunetul emis indică faptul că dispozitivul dvs. este în modul de așteptare. Dacă umidificatorul este pornit/oprit, valorile pentru și umiditate vor fi afișate în acest moment.

Buton de pornire:

Apăsați butonul de pornire în modul standby pentru a activa umidificatorul:

- Când există apă în rezervorul de apă, se aude un sunet „bip” și întreaga mașină intră în modul de funcționare: Starea inițială de pornire a mașinii: mașina funcționează la viteza 3, pictograma UV se aprinde, pompa de apă începe să funcționeze.
- Apăsați acest buton în modul de funcționare: mașina intră în starea de uscare cu aer și intră în starea de standby după uscarea cu aer; mașina este în starea de funcționare (cu excepția cazului în care funcția de blocare pentru copii este activată), apăsați butonul „pornit/oprit” pentru a intra în programul de uscare cu aer.

Procesul de uscare cu aer funcționează după cum urmează:

- Mașina funcționează la viteza 4, pictograma „încălzire PTC pornită” se aprinde, celelalte pictograme de pe ecranul digital sunt stinse; mașina se oprește după rularea programului de uscare cu aer timp de 50 de minute și intră în modul standby. (Notă: Funcția de încălzire se oprește în avans în minutul 45 al programului de uscare cu aer).
- În timpul procesului de uscare cu aer, apăsați butonul pornit/oprit, mașina va ieși din modul de uscare cu aer și va intra în starea de așteptare.

Buton UV/Buton Ioni Negativi:

Dispozitivul pornește cu lampa UV aprinsă. Apăsați din nou butonul pentru a-l opri. Pentru a porni ionizatorul, țineți apăsat butonul timp de 3 secunde. Apăsați din nou timp de 3 secunde pentru a opri ionizatorul.

Funcția de sterilizare UV ucide bacteriile din fluxul de aer emis de ceață, înainte ca ceața să intre în cameră.

Prin apăsarea **butonului pentru ioni negativi** se va activa generatorul de ioni negativi cu o capacitate totală de > 3.000.000 de ioni negativi/cm³ care sunt răspândiți în întreaga cameră, neutralizând astfel poluanții și mirosurile. Ionii negativi se atașează de particulele de praf, microorganisme și alte particule nedorite din aer și le leagă între ele. În acest fel, particulele devin mai grele decât aerul și cad pe sol, astfel încât nu mai pot fi inspirate.

Ionii negativi se găsesc cel mai mult în păduri, munți și la mare. Ionii negativi asigură un aer proaspăt și sănătos.

Buton pentru selectarea nivelului de umiditate:

Prin apăsarea **butonului pentru selectarea nivelului de umiditate**, puteți selecta nivelul de umiditate dorit apăsând acest buton în mod repetat până când este afișat nivelul dorit de umiditate (de la 30 % la 80% în trepte de câte 5 %). După ce selectați nivelul dorit de umiditate, pur și simplu nu mai apăsați butonul și nivelul de umiditate va fi setat. După setare, afișajul va clipi o dată pe secundă și apoi de trei ori continuu pentru a afișa valoarea setată curentă. După clipire, este afișată umiditatea curentă, cu un interval de afișare de 20-90% umiditate relativă.

Viteza nu este afectată în primele 2 minute după ce dispozitivul intră în modul de umiditate constantă. După 2 minute, ventilatorul funcționează conform următorului program;

1. Când umiditatea atinge sau depășește umiditatea setată, dispozitivul oprește umidificarea și ventilatorul funcționează la viteza 1;
2. Când umiditatea reală este mai mică decât umiditatea setată „2%”, aparatul continuă să umidifice la viteza 2;
3. Când umiditatea reală este mai mică decât umiditatea setată „4%”, aparatul continuă să umidifice la viteza 3;
4. Când umiditatea reală este mai mică decât umiditatea setată „6%”, aparatul continuă să umidifice la viteza 4.

Notă: Dacă viteza este modificată în timpul modului de umiditate constantă, dispozitivul va funcționa la valoarea setată a vitezei timp de 2 minute, apoi va repeta procedura de mai sus după 2 minute.

Apăsăți butonul „Umiditate”, aparatul va afișa valoarea curentă a setării umidității, apoi apăsați din nou butonul „Umiditate” pentru a ajusta valoarea umidității în consecință.



Buton Mod/Buton WIFI:

Când apăsați butonul mod pentru prima dată, pictograma „Mod Auto” se aprinde și apoi clipește de trei ori înainte de a activa modul automat. Apăsarea butonului mod a doua oară în decurs de trei secunde va face ca dispozitivul să intre în modul funcțional . Pictograma „Mod Funcțional ” va clipi apoi de trei ori înainte de a activa modul funcțional . Și așa mai departe.

Ordinea de rotație a butoanelor de mod este următoarea: mod automat -> mod funcțional -> mod repaus -> fără setări -> mod automat.

Mod automat:

După intrarea în „Mod automat”, umiditatea este setată la 68%, iar volumul de ceață este forțat să se umidifice timp de 5 minute la nivelul 4. După 5 minute, nivelul volumului de ceață este ajustat conform următoarelor cerințe:

Când valoarea umidității este mai mică de 60%, volumul de ceață funcționează pe 4 niveluri; când valoarea umidității este între 60% și 63%, volumul de ceață funcționează pe 3 niveluri; când valoarea umidității este între 64% și 68%, volumul de ceață funcționează pe 2 niveluri; când valoarea umidității depășește 68%, funcționează pe 1 nivel.

Mod sănătos:

Apăsăți butonul mod a doua oară. Pictograma „Mod Sănătos” va clipi de trei ori pe secundă, apoi se activează Modul Sănătos.

După activarea Modulului Sănătos, pictograma „Mod Sănătos” de pe ecranul digital se va aprinde; ionii negativi și lumina UV se vor aprinde, iar dispozitivul va funcționa la nivelul 3.

După activarea Modulului Sănătos, pictograma „Mod Sănătos” de pe ecranul digital se va aprinde; ionii negativi și lumina UV se vor aprinde, iar dispozitivul va funcționa la nivelul 3.

După activarea Modulului Sănătos, dispozitivul detectează automat nivelul optim de umiditate în funcție de temperatura ambientală și crește setarea de umiditate cu 5% pe baza valorii detectate. De exemplu, dacă valoarea detectată este de 45%, umiditatea setată va fi de 50% și așa mai departe.

Când dispozitivul atinge sau depășește umiditatea setată, ventilatorul va funcționa la nivelul 1.

Când umiditatea scade sub umiditatea setată de „2%”, dispozitivul va reveni la nivelul.

Mod repaus:

Apăsați butonul Mod a treia oară. Pictograma „Mod repaus” va clipi de trei ori pe secundă, iar modul repaus va fi activat:

1. Funcțiile care erau activate înainte ca dispozitivul să intre în modul repaus (inclusiv UV, temporizare și ioni negativi) nu sunt afectate de modul repaus.
2. După 10 secunde, când dispozitivul intră în modul repaus, afișajul se stinge (cu excepția pictogramei „Modul de repaus”) și dispozitivul funcționează la 75% din viteza nivelului 1 de pulverizare.

Când dispozitivul detectează că rezervorul de apă este gol în timpul modului repaus, pictograma „Lipsă de apă” va rămâne aprinsă, buzzerul nu va suna, iar dispozitivul va intra în modul standby.

Conexiune Wi-Fi:

Apăsați și mențineți apăsat butonul „Mod/Wi-Fi” timp de 3 secunde. Dispozitivul va intra în starea de asociere Wi-Fi, iar pictograma Wi-Fi va continua să clipească până când dispozitivul este asociat cu succes. Apăsați și mențineți apăsat din nou butonul „Mod/Wi-Fi” timp de 3 secunde. Buzzerul va suna o dată, dispozitivul va ieși din asocierea Wi-Fi, iar pictograma Wi-Fi se va stinge.




Buton de încălzire/ Buton Mod Curățare:

Apăsarea butonului „Încălzire” activează funcția de încălzire. Încălzirea asigură uscarea rapidă și eficientă a filtrului de apă.

Dispozitivul funcționează la setarea 4 după activarea funcției de încălzire. Nu puteți regla viteza; acest lucru va dezactiva funcția de încălzire.

Apăsați din nou butonul „Încălzire/Curățare” pentru a dezactiva această funcție.

Apăsați și mențineți apăsat butonul „Încălzire/Curățare”. Dispozitivul iese din modul „Încălzire/Curățare” și intră în modul de curățare .



Buton nivel de ceață:

Dispozitivul continuă să umidifice, iar umiditatea nu poate fi reglată.

Starea inițială de funcționare a dispozitivului este nivelul 3.

Dispozitivul are 4 niveluri. Apăsați butonul de fiecare dată pentru a atinge un nivel pe scală. Secvența nivelului de ceață este: 3-> 4-> 1 -> 2-> 3-> 4-> 1-> 2-> 3...și așa mai departe.

Pompa de apă funcționează continuu în primele 2 minute;

După 2 minute, pompa de apă se oprește timp de 3 minute și apoi funcționează timp de 15 secunde; apoi se oprește timp de 3 minute și funcționează din nou timp de 15 secunde și așa mai departe.



Buton Purificare aer/ blocare copii:

Apăsați butonul „Purificare aer/Blocare copii” pentru a porni modul de purificare a aerului.

Pompa de apă se va opri, iar dispozitivul va înceta să afișeze umiditatea. Pictograma PM2.5 se va aprinde pentru a indica calitatea curentă a aerului. Apăsați din nou pentru a reveni la modul de umidificare.

Apăsați și mențineți apăsat butonul „Purificare aer/Blocare copii” timp de 3 secunde; pictograma blocare copii activată a aparatului se va aprinde. Apăsați și mențineți apăsat butonul „Purificare aer/Blocare copii” timp de încă 3 secunde; pictograma blocare copii dezactivată a aparatului se va dezactiva.



Buton pentru temporizator:

Prin apăsarea **butonului pentru temporizator** se poate seta temporizatorul. Funcția de temporizare stabilește câte ore va funcționa umidificatorul. Puteți seta temporizatorul apăsându-l câte o dată pentru fiecare oră cât doriți să funcționeze dispozitivul. Temporizatorul poate fi setat între 1 oră și 12 ore. Pe măsură ce trece timpul, valoarea de timp scade până la 00:00 și dispozitivul se oprește.

Curățare după 72 de ore de funcționare:

1. După ce dispozitivul a funcționat timp de 72 de ore, afișajul va afișa „72 ore” și va continua să clipească până când timpul de curățare este resetat.
2. Apăsați lung butonul „Încălzire/Curățare”. Dispozitivul va ieși din modul „Umiditate” și va intra în modul Curățare.
3. Curățați rezervorul de apă (recomandat).
4. Apăsați și mențineți apăsat butonul „Pornit/Oprit” timp de 2 secunde pentru a dezactiva mesajul de curățare „72 ore”. Afișajul va afișa „00 ore” și va clipi de 3 ori. Afișajul va afișa apoi umiditatea.
5. Dacă dispozitivul nu a funcționat încă timp de 72 de ore, puteți reseta modul de curățare apăsând și mențineți apăsat butonul Pornit/Oprit timp de 2 secunde pentru a reseta timpul dispozitivului la 0 și a-l recalcula. Pictograma „umiditate” va afișa „00H” și va clipi de 3 ori. Starea normală de afișare este restabilă.

Când modul repaus este activat, nu se afișează nicio solicitare de curățare. La ieșirea din modul repaus, se afișează o solicitare de curățare.

Afișaj umiditate:

Când umiditatea este sub 45%, lumina rezervorului de apă va lumina portocaliu; când umiditatea este între 45% și 60%, lumina va lumina albastru; când umiditatea este peste 60%, lumina va lumina alb. Valoarea medie este utilizată ca valoare afișată.



Avertisment privind lipsa apei:

După ce dispozitivul detectează că rezervorul de apă este gol, acesta trece la sistemul de încălzire-uscare și intră în modul de lipsă de apă. În caz de lipsă de apă, indicatorul luminos al nivelului apei și lumina colorată a rezervorului de apă vor clipi de trei ori în roșu și vor emite trei semnale sonore. Apoi, activați sistemul de încălzire și uscare „cu ceață caldă” și, după 30 de minute, treceți în modul standby.

Sau, apăsați butonul pornit/oprit pentru a opri dispozitivul și a reumple rezervorul de apă.

După reumplerea rezervorului de apă, indicatorul luminos al nivelului apei și lumina colorată a rezervorului de apă se vor stinge, iar dispozitivul va trece în modul standby.

Sau, apăsați butonul pornit/oprit pentru a opri dispozitivul și a reumple rezervorul de apă.

După reumplerea rezervorului de apă, indicatorul luminos al nivelului apei și lumina colorată a rezervorului de apă se vor stinge, iar dispozitivul va trece în modul standby.

Descrierea nivelului apei:

Scările rezervorului de apă sunt: apă plină, lipsă de apă.

1. Apă scăzută: Când pompa de apă detectează o lipsă persistentă de apă timp de 10 secunde, dispozitivul trece la starea de apă scăzută.
2. Umplerea rezervorului de apă: Adăugați apă ori de câte ori dispozitivul este pornit sau oprit. Când rezervorul de apă este plin, afișajul digital va clipi de 5 ori, iar semnalul sonor va suna de 5 ori. Pe afișaj va apărea FUL.

Asigurați-vă că rezervorul de apă este întotdeauna reumplut complet.

Curățare și întreținere

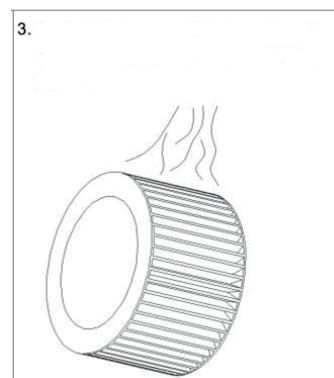
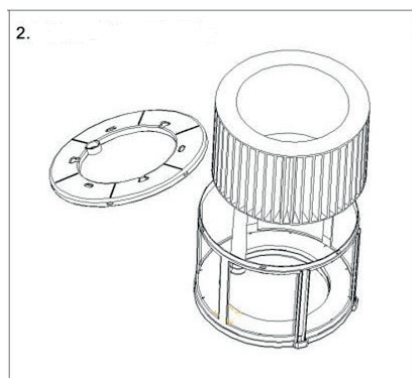
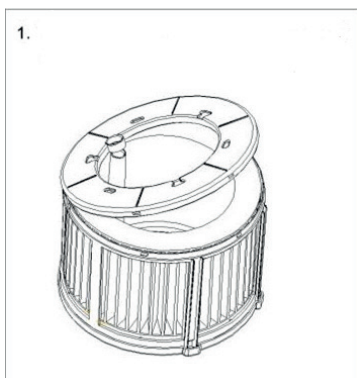
Curățarea filtrului de apă

În unele zone, calitatea apei este slabă. După o utilizare prelungită, se poate acumula calcar sau praf pe suprafața filtrului de apă. Puteți demonta filtrul de apă și îl puteți clăti cu apă curată. În condiții normale de utilizare, se recomandă înlocuirea filtrului de apă la fiecare șase luni.

Scoateți filtrul de apă din dispozitiv și demontați partea de jos.

Scoateți filtrul de apă.

Clătiți orice murdărie de pe suprafața filtrului de apă cu apă de la robinet și reasamblați-l. Puneți-l înapoi în dispozitiv.



Curățarea filtrului de apă dur

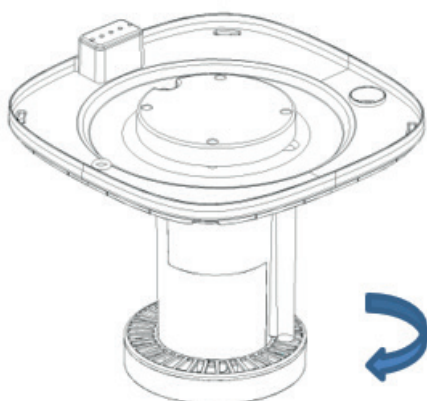
În unele zone, calitatea apei este slabă. După o utilizare prelungită, se pot acumula calcar sau praf pe suprafața filtrului de apă dur. Puteți demonta filtrul de apă dur și îl puteți clăti cu apă curată. În condiții normale de utilizare, se recomandă înlocuirea filtrului de apă la fiecare șase luni.

Ridicați ansamblul despărțitor al rezervorului de apă, rotiți dedurizatorul de apă în sensul acelor de ceasornic și scoateți dedurizatorul de apă direct atunci când catarama este slăbită (Imaginea 1).

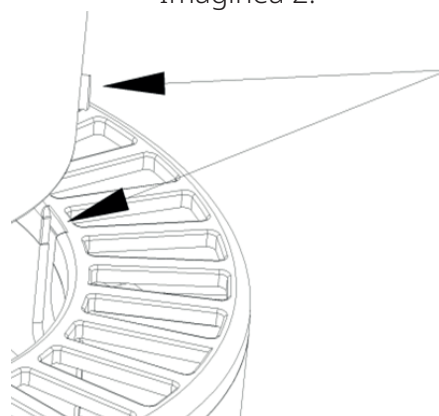
Clătiți orice murdărie de pe suprafața filtrului de rășină cu apă de la robinet și reasamblați-l.

Jgheburile indicate de săgeata din figură sunt aliniat și introduse în ele, apoi rotiți dedurizatorul de apă în sens invers acelor de ceasornic până când se simte catarama (Imaginea 2).

Imaginea 1.



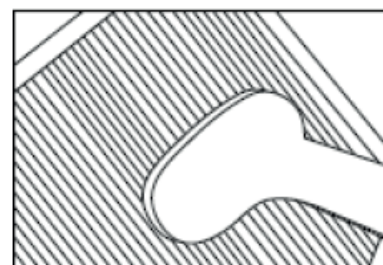
Imaginea 2.



Curățarea filtrului HEPA H13

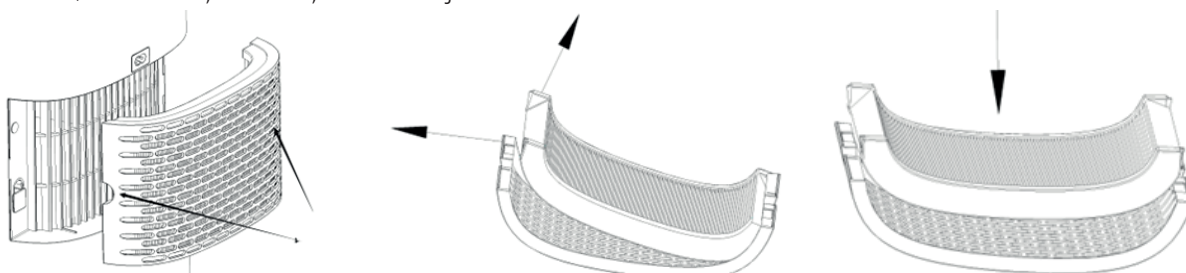
Cel mai bun efect este obținut prin curățarea filtrelor o dată pe lună. Dacă aerul din interior este extrem de poluat, poate fi necesară o mai bună curățare.

Curățați **prefiltrul** și **filtrul HEPA** cu o perie sau cu aspiratorul. În acest fel, particule mai mari de praf, cum ar fi scamele, părul și mătreața animalelor de companie, pot fi îndepărtate din filtru.



Avertisment! Nu udați sau clătiți filtrele compozite (**HEPA + filtru cu carbon activ**) cu apă.

Scoateți filtrele din compartimentul cadrului filtrului. După înlocuirea filtrului sau curățarea filtrului reînstați filtrele înapoi în compartimentul cadrului filtrului și asamblați înapoi pe dispozitiv, consultați ilustrația de mai jos.



Semne pentru filtrele uzate

Creșterea zgomotului, reducerea debitului de aer, filtre înfundate, creșterea prezenței mirosurilor. Filtrul trebuie înlocuit cu unul nou, când filtrul HEPA își schimbă culoarea de la alb la gri sau negru. Dacă filtrul HEPA rămâne alb, NU este necesar să înlocuiți filtrul.

Cum să comandați filtre:

Contactați Serviciul de asistență pentru clienți Clean Air Optima, tel. + 31 (0) 742670145 sau vizitați magazinul nostru web: <https://www.cleanairoptima.com/-accessoires>

Curățați exteriorul purificatorului de aer.

1. Opriți dispozitivul și trageți ștecherul.
2. Utilizați o bucată de pânză moale și umedă pentru a curăța dispozitivul de praf și murdărie.
3. Asigurați-vă că **nu** intră **apă** în dispozitiv.



Curățați punctele de contact.

Curățați punctele de contact în mod regulat cu o cârpă curată și uscată.



Înlocuirea filtrelor

Aparatul Clean Air Optima CA-806 Smart / CA-808 Smart este echipat cu un mecanism de supraveghere a duratei de viață a filtrelor, care semnalează că filtrele (HEPA H13, filtrul de apă, filtrul de rășină și filtrul de argint) trebuie înlocuite după 1000 de ore de funcționare. Pentru a indica faptul că aceste elemente trebuie înlocuite, dispozitivul emite un indicator luminos dublu

zero . Resetați cronometrul filtrelor apăsând și ținând apăsat butonul nivel de ceață  timp de aproximativ 4 secunde. Dacă indicatorul luminos se stinge, cronometrul a fost resetat cu succes.

În funcție de utilizare, filtrele au o durată de viață de aproximativ 3-6 luni. Lampa UV-C este permanentă, nu este necesară înlocuirea.

Scoateți filtrele din compartimentul cadrului filtrului. După înlocuirea sau curățarea filtrului, reinstalați filtrele în compartimentul cadrului filtrului și asamblați-le la loc pe dispozitiv, consultați capitolul curățare și întreținere.

Introducerea/Înlocuirea cartușului Silver Ion SI-01 Clean Air Optima[®]

Cartușul Silver Ion SI-01 utilizează efectul anti-microbian al argintului, împiedică dezvoltarea bacteriilor și a mirosurilor în apă. Cartușul Silver Ion SI-01 funcționează chiar și atunci când umidificatorul dvs. este oprit, astfel încât apa să rămână proaspătă. Înlocuiți cartușul Silver Ion SI-01 la începutul sesiunii de umidificare sau înlocuiți cartușul Silver Ion SI-01 după un an de utilizare.

Înlocuirea cartușului Silver Ion SI-01:

Pentru a începe, ridicați carcasa, aceasta este slăbită de rezervorul de apă. Scoateți filtrul de apă din carcasa pompei de apă. Scoateți carcasa pompei de apă din rezervorul de apă.

Ridicați carcasa



Capac și filtru rezervor de apă



Silver Ion SI-01



1. Scoateți cartușul Silver Ion SI-01 uzat.

2. Introduceți noul cartuș Silver Ion SI-01.

Eliminați cartușul Silver Ion SI-01 odată cu deșeurile menajere obișnuite.

Cartușul Silver Ion SI-01 nu trebuie utilizat mai mult decât este specificat.

Puteți comanda cartușul Silver Ion SI-01 în magazinul nostru online accesând www.cleanairoptima.com

Depozitarea dezumidicatorului/ purificatorului de aer Clean Air Optima[®]

Dacă dezumidicatorul/purificatorul de aer nu va fi utilizat pentru o perioadă lungă de timp:

1. Mai întâi, goliți și uscați rezervorul de apă.
2. Rulați programul de uscare cu aer (consultați secțiunea „Buton de alimentare”).
3. Deconectați dispozitivul și rulați cablul de alimentare.
4. Scoateți și curățați filtrele. Puneți filtrele la loc după curățare.
5. Depozitați dispozitivul într-un loc răcoros și uscat, ferit de lumina directă a soarelui, temperaturi extreme și praf excesiv.
5. Dacă dispozitivul nu va fi utilizat pentru o perioadă lungă de timp, este recomandat să îl acoperiți cu un capac protector pentru a preveni acumularea de praf. Acest lucru poate cauza probleme viitoare de curățare și întreținere.

Curățarea rezervorului de apă

Apa trebuie schimbată regulat în rezervorul de apă. Apa nu trebuie să rămână în rezervorul de apă mai mult de 3 zile.

- Vă rugăm să rețineți că umiditatea ridicată poate promova creșterea organismelor biologice în mediu.
- Nu lăsați zona din jurul umidificatorului să se umezească sau să se ude. Dacă apare umezeală, reduceți ieșirea umidificatorului. Dacă volumul de ieșire al umidificatorului nu poate fi redus, utilizați umidificatorul în mod intermitent. Nu permiteți umezelii materialelor absorbante, cum ar fi covoarele, draperiile, draperiile sau fețele de masă.
- Scoateți ștecherul din priză în timpul umplerii și curățării.
- Nu lăsați niciodată apă în rezervor când aparatul nu este în funcțiune.
- Goliți și curățați umidificatorul înainte de depozitare. Curățați umidificatorul înainte de următoarea utilizare.
- Curățați interiorul rezervorului de apă cu un detergent ușor și clătiți cu apă curată.

Avertisment: Microorganismele care pot fi prezente în apă sau în mediul în care este utilizat dispozitivul pot crește în rezervorul de apă și pot fi suflate în aer. Acest lucru poate duce la riscuri pentru sănătate dacă apa nu este schimbată și rezervorul nu este curățat corespunzător la fiecare 3 zile.



Funcționare cu aplicația Clean Air Optima[®]



Conectivitate

Compatibilitate cu smartphone și tabletă:
dispozitive iPhone, iPad și Android

Dispozitivul se conectează prin WiFi cu aplicația:
CleanAirOptima

Atenție: Routerul trebuie să fie setat pe banda largă de 2,4 GHz. Dacă routerul este setat pe 5,0 GHz, este imposibil să se stabilească o conexiune.

Configurarea conexiunii WiFi

1. Descărcați și instalați aplicația „CleanAirOptima” din App Store sau Google Play Store.
2. Creați un cont și conectați-vă.
3. Routerul trebuie să fie setat pe banda largă de 2,4 GHz. Dacă routerul este setat pe 5,0 GHz, nu se poate stabili nicio conexiune.
4. Asigurați-vă că funcția Bluetooth este activată pe smartphone-ul dumneavoastră.
5. Conectați dispozitivul la priza de alimentare și porniți-l. Indicatorul WiFi va lumina intermitent. Dacă lumina WiFi nu clipește, apăsați butonul „MOD/ WIFI” timp de 5 secunde. Apoi lumina WiFi va clipi rapid. Dacă ledul WiFi clipește rapid, dispozitivul este gata de conectare.
6. Asigurați-vă că smartphone-ul sau tableta sunt conectate cu succes la rețeaua WiFi.
7. Deschideți aplicația „CleanAirOptima” și faceți clic pe „Add device” (Adăugare dispozitiv)  Dispozitivul dvs. este listat și îl puteți selecta. Dacă nu, alegeți „Auto Scan” (Scanare automată). Urmați instrucțiunile de pe ecran pentru a conecta dispozitivul la rețea.
8. Alegeți să adăugați dispozitivul Clean Air Optima[®] în aplicație, urmați instrucțiunile din aplicație.
9. Când dispozitivul este asociat, indicatorul luminos WiFi  rămâne aprins constant.
10. După ce configurarea are succes, puteți utiliza aplicația Clean Air Optima[®] pentru a utiliza dispozitivul.

Notă:

- Dacă rețeaua dvs. implicită s-a schimbat, resetați conexiunea WiFi, urmați pașii de la 1 la 10 din secțiunea „Configurare conexiune WiFi”.
- Dacă doriți să asociați mai multe dispozitive cu smartphone-ul sau tableta dvs., trebuie să faceți acest lucru unul după altul.
- Asigurați-vă că distanța dintre smartphone sau tabletă și dispozitiv este mai mică de 5 metri și că nu există obstacole. De asemenea, asigurați-vă că vă aflați în aceeași cameră cu dispozitivul.

Resetați funcția WiFi:

- Dispozitivul trebuie pornit.
- Resetați WiFi apăsând butonul „MOD/ WIFI” timp de 5 secunde, indicatorul luminos al WiFi va clipi rapid.



Opriți funcția WiFi:

- Resetați WiFi apăsând butonul „Mode” timp de 5 secunde, indicatorul luminos al WiFi va clipi rapid.
- Opriți WiFi apăsând butonul „Mode” pentru încă 5 secunde, indicatorul luminos al WiFi se va stinge.

Conectați dispozitivele la mai multe telefoane

Notă: Mai întâi, cealaltă persoană trebuie să instaleze aplicația Clean Air Optima[®] pe telefonul său și să creeze un cont nou.

Partajați dispozitivul cu acces limitat:

Puteți alege să partajați 1 dispozitiv cu mai multe persoane.

Această persoană va avea apoi acces, dar nu va putea gestiona toate setările.

Urmați instrucțiunile de mai jos pentru a partaja dispozitivul cu mai multe persoane:

1. Accesați dispozitivul relevant.
2. Mergeți la creion sau trei puncte din dreapta sus.
3. Selectați „Share device” (Partajare dispozitiv).
4. Alegeți „Add sharing” (Adăugare partajare).
5. Alegeți metoda de partajare, de ex. prin e-mail, whatsapp, sms etc. și continuați.
6. Dispozitivul va apărea automat în aplicația Clean Air Optima[®] cu celălalt cont.

Partajați dispozitivul cu acces complet:

Puteți adăuga o persoană sau mai multe persoane la managementul casei dvs.

Persoana respectivă va avea apoi acces la toate dispozitivele dvs. care sunt deja conectate și are drepturi și permisiuni complete. Veți rămâne întotdeauna administratorul principal.

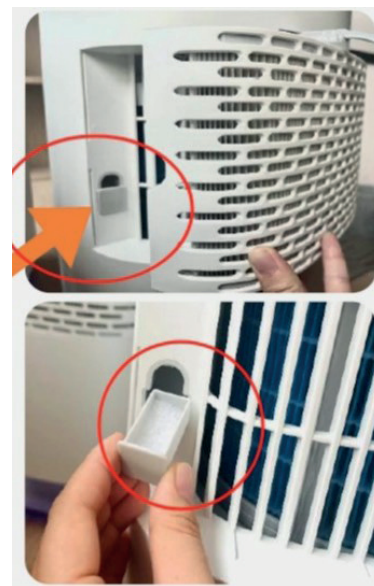
Urmați instrucțiunile de mai jos pentru a adăuga pe cineva la gestionarea casei dvs.:

1. Deschideți aplicația Clean Air Optima[®] App și accesați „Me” (Eu).
2. Apoi alegeți „Home Management” (Gestionare locuință).
3. Alegeți „Create a home” (Creare locuință).
4. Selectați „Home” (Locuință) și „Add member” (Adăugare membru).
5. Alegeți metoda de partajare, de ex. prin e-mail, whatsapp, sms etc. și continuați.
6. „Home” (Locuință) va apărea automat în aplicația Clean Air Optima[®] a persoanei cu care ați partajat „Home” (Locuință).
7. Pe celălalt cont:
Accesați ecranul de start din aplicația Clean Air Optima[®]. Mergeți în stânga sus și selectați „Home” (Locuință).

Aromaterapie

Activarea funcției de aromaterapie:

- Scoateți tava pentru aromaterapie din suport.
- Turnați 5 - 10 picături de ulei esențial Clean Air Optima[®] pe burete.
- Introduceți tava pentru aromaterapie înapoi în suport.
- Când porniți umidificatorul de aer, se va activa funcția de aromaterapie.
- Dacă doriți să dezactivați funcția de aromaterapie sau dacă dispozitivul nu ar trebui să fie utilizat pentru perioade îndelungate de timp, scoateți buretele pentru aromaterapie din compartiment și spălați-l cu puțină apă și săpun blând. Lăsați-l să se usuce complet înainte de a-l pune la loc în compartimentul pentru aromaterapie. Practic, buretele pentru aromaterapie este reutilizabil.



Important

Pentru a obține cele mai bune rezultate și pentru a vă bucura cât mai mult de umidificatorul de aer, vă recomandăm să citiți cu atenție următoarele instrucțiuni privind utilizarea uleiurilor esențiale în umidificatorul de aer cu CA-806 Smart/ CA-808 Smart.

Utilizarea uleiurilor esențiale în dispozitivul CA-806 Smart/ CA-808 Smart

Utilizați uleiurile noastre esențiale de înaltă calitate și bucurați-vă de aromaterapie la dvs. acasă! O experiență de arome senzațională!

Oferim o mare varietate de uleiuri esențiale de înaltă calitate, cu multe parfumuri diferite.

Acestea se potrivesc perfect pentru umidificatorul de aer CA-806 Smart/ CA-808 Smart și au fost special concepute pentru utilizarea cu acest umidificator:



Puteți comanda **uleiurile esențiale** în magazinul nostru online, accesând www.cleanairoptima.com

Avertisment!

Utilizarea altor uleiuri esențiale care nu sunt făcute pentru acest umidificator de aer sau a altor aditivi (de exemplu: parfumuri și produse de purificare a apei) poate deteriora umidificatorul de aer și **NU** este permisă! **Nu puneți niciodată alte uleiuri esențiale pure sau alți aditivi în rezervorul de apă resp. bazinul de apă! Chiar și o cantitate mică poate deteriora plasticul și poate cauza fisuri.**

Materialul nu este conceput pentru utilizarea aditivilor. O picătură este suficientă pentru a deteriora rezervorul de apă/bazinul de apă și a dezactiva dispozitivul. Dispozitivele care sunt deteriorate ca urmare a utilizării aditivilor sunt excluse din garanție.

Curățare și întreținere

Vă puteți asigura că umidificatorul și purificator de aer **Clean Air Optima[®] CA-806 Smart/ CA-808 Smart** va oferi ani de funcționare fără probleme, urmând câteva proceduri simple de întreținere. Dacă apa este dură și conține concentrații mari de calciu și alte minerale, în timp, pe diferitele suprafețe din încăperea va începe să se depună praf alb (calcar). De asemenea, se formează depuneri albe (calcar) în **bazinul de apă** și în interiorul rezervorului de apă. Depunerile de calcar vor afecta buna funcționare a **răcitorului de aer** și funcția igienică eficientă a unității.

Recomandăm următoarele

1. Curățați **rezervorul de apă** o dată pe săptămână, dacă utilizați aparatul zilnic, cu soluția de curățare și decalcifiere **Clean Air Optima[®]**.
2. Atunci când rezervorul de apă trebuie să fie reumplut, goliți apa rămasă și umpleți-l cu apă proaspătă.
3. Curățați întregul dispozitiv și păstrați toate piesele complet uscate atunci când dispozitivul nu este utilizat.



Dezvoltat special pentru răcitoarele de aer, umidificatoarele și dezumidificatoarele **Clean Air Optima[®]**:

- Nu este agresivă
- Protejează materialele din plastic și ceramică ale răcitorului de aer, umidificatorului și dezumidificatorului
- Are un miros neutru
- Curăță și decalcifică rapid și temeinic
- Este biodegradabilă

Puteți comanda **soluția de curățare și decalcifiere Clean Air Optima[®]** din magazinul nostru online la adresa www.cleanairoptima.com.


Depanare



Urmează un ghid de depanare care vă poate ajuta să rezolvați problemele pe care le-ați putea avea atunci când utilizați umidificatorul și purificator de aer **Clean Air Optima[®] CA-806 Smart/ CA-808 Smart**.

Problemă	Cauză posibilă	Soluție
Nu are loc dispersarea ceții.	Fișa de alimentare nu este conectată. Butonul PORNIRE/OPRIRE nu este activat. Rezervor de apă gol. Nu există suficientă apă în rezervor.	Conectați dispozitivul. Apăsăți butonul de PORNIRE/OPRIRE. Umpleți rezervorul cu apă. Reumpleți rezervorul cu apă.
Ceața are un miros ciudat.	Un dispozitiv nou. Acesta fie conține apă murdară, fie apa nu a mai fost schimbată de prea mult timp.	Scoateți rezervorul de apă, deșurubați capacul și lăsați-l la aerisit într-o zonă răcoroasă timp de 12 ore. Curățați rezervorul de apă și reumpleți cu apă curată.
Volumul de ceață pulverizat este prea mic.	Prea multe depuneri de minerale în bazinul de apă și pe traductor. Apa este prea murdară sau apa a rămas prea mult timp în rezervor.	Curățați bazinul de apă și traductorul cu: Soluția de curățare și decalcifiere Clean Air Optima[®] . Curățați rezervorul de apă și reumpleți cu apă curată.
Dispozitivul este zgomotos.	Rezervorul de apă nu este poziționat corect. Nu există suficientă apă în rezervorul de apă. Dispozitivul se află pe o suprafață instabilă.	Poziționați corect rezervorul de apă pe bază. Reumpleți cu apă rezervorul de apă. Așezați dispozitivul pe o suprafață solidă și netedă.
Ceața pulverizată iese din zona din jurul duzei de pulverizare.	Există goluri între carcasa din jurul duzei și partea superioară a rezervorului de apă.	Scoateți duza din partea de sus a rezervorului de apă și curățați-o cu o cârpă umedă. Montați la loc rezervorul de apă.
Funcționarea cu aplicația Clean Air Optima [®] nu funcționează.	Smartphone-ul sau tableta nu sunt conectate la rețeaua WiFi. Dispozitivul nu are conexiune la rețea.	Porniți dispozitivul și resetați WiFi-ul pe dispozitiv apăsând butonul Manual Somn timp de 5 secunde, indicatorul luminos al WiFi va clipi. Apoi urmați pașii 3 până la 10 din capitolul Funcționare cu aplicația Clean Air Optima [®] .

Depanare

Urmează un ghid de depanare care vă poate ajuta să rezolvați problemele pe care le-ați putea avea atunci când utilizați umidificatorul și purificator de aer **Clean Air Optima[®] CA-806 Smart/ CA-808 Smart**.

Problemă	Cauză posibilă	Soluție
Afișajul arată dublu zero  .	Filtrele trebuie înlocuite.	Resetați cronometrul filtrului apăsând și ținând apăsat butonul MODE timp de aproximativ 3 secunde. Când indicatorul luminos se stinge, cronometrul a fost resetat cu succes.
Afișajul arată 72H ore.	Aparatul a funcționat timp de 72 de ore și trebuie curățat. Curățați rezervorul de apă. Apăsați lung butonul „Încălzire/Curățare”. Dispozitivul va ieși din modul „Umiditate” și va intra în modul Curățare.	Apăsați butonul de alimentare timp de 3 secunde pentru a reseta.

Simboluri	Sens
	Acest simbol înseamnă că filtrul trebuie verificat și curățat, dacă este necesar, înainte de pornirea aparatului. Înlocuiți filtrul la fiecare 2 până la 3 luni.
	Acest simbol înseamnă că rezervorul de apă trebuie curățat la fiecare 3 zile. Schimbați apa din rezervorul de apă la fiecare 3 zile. Scoateți ștecherul din priză înainte de a începe curățarea.

Dacă apa pe care o utilizați este foarte dură (conține niveluri anormal de mari de minerale), umidificatorul poate răspândi un praf alb. Aceasta nu este o defecțiune. Soluția ar fi înlocuirea mai frecventă a filtrului de apă sau utilizarea unei apei mai puțin dure, cum ar fi apa distilată.

AVERTISMENT!

Dacă soluțiile recomandate mai sus nu funcționează, contactați asistența tehnică Clean Air Optima la numărul de telefon corespunzător regiunii dvs. Nu încercați să dezamblați, să reamblați sau să reparați dispozitivul, deoarece acest lucru poate anula garanția.

Specificații CA-806 Smart

Model	CA-806 Smart
Pentru încăperi de până la	60 m ² /150 m ³ /645 ft ²
Tensiune nominală	100 V - 240 V, 50/60 Hz
Putere nominală	30 W - Max. 230 W
Capacitate de umidificare a aerului	Min. 250 ml/h - Max. 800 ml/h
Capacitatea ventilatorului (CADR)	220 m ³ /h
Oxigen activ	< 0,05 ppm
Nivelul sonor	Ventilator silențios < 25 dB(A)
Dimensiuni	260 x 260 x 508 mm
Greutate	5,0 kg
Rezervor de apă	8,0 L
Culoare	Alb cu rezervor de apă din sticlă fumurie

Specificații CA-808 Smart

Model	CA-808 Smart
Pentru încăperi de până la	80 m ² /200 m ³ /856 ft ²
Tensiune nominală	100 V - 240 V, 50/60 Hz
Putere nominală	30 W - Max. 230 W
Capacitate de umidificare a aerului	Min. 300 ml/h - Max. 1000 ml/h
Capacitatea ventilatorului (CADR)	220 m ³ /h
Oxigen activ	< 0,05 ppm
Nivelul sonor	Ventilator silențios < 25 dB(A)
Dimensiuni	260 x 260 x 508 mm
Greutate	5,0 kg
Rezervor de apă	8,0 L
Culoare	Alb cu rezervor de apă din sticlă fumurie

Respectă reglementările UE CE/DEEE/RoHS

Adresați-vă comercianților cu amănuntul sau municipalității dvs. pentru informații actualizate privind eliminarea ambalajului și a dispozitivului.



Service

Certificat de garanție pentru umidificatorul și purificator de aer Clean Air Optima® CA-806 Smart/ CA-808 Smart.

Data achiziției:
Nume client:
Adresă:
Telefon:
E-mail:
Nume vânzător:
Adresă:

1. Completați acest certificat de garanție. Trimiteți-l distribuitorului împreună cu factura și dispozitivul, cu taxe poștale pre-plătite și folosind ambalajul original. Asigurați-vă că includeți taxele poștale pentru retur.
2. Vă rugăm să anexați o scurtă descriere a daunelor sau defecțiunilor și circumstanțele în care au apărut aceste probleme.

Umidificatorul și purificator de aer **Clean Air Optima® CA-806 Smart/ CA-808 Smart Weste** supus unor proceduri stricte de testare înainte de a părăsi fabrica. Dacă în termen de doi ani de la data achiziționării, produsul nu funcționează în conformitate cu specificațiile din cauza defectelor din fabrică, cumpărătorul are dreptul la reparații gratuite sau la înlocuirea pieselor la prezentarea acestei garanții (cu condiția ca defecțiunea sau deteriorarea dispozitivului și/sau a unor piese să fi apărut în condiții normale de funcționare). Ce este acoperit de garanție: Toate piesele defecte ca material sau manoperă. Pentru cât timp: doi ani de la data cumpărării. Ce vom face: Reparăm sau înlocuim orice piesă defectă.

Alte condiții

Prevederile prezentei garanții înlocuiesc orice altă garanție scrisă, expresă sau implicită, scrisă sau orală, inclusiv orice garanție de vandabilitate sau adecvare pentru un anumit scop. Răspunderea maximă a producătorului nu trebuie să depășească prețul real de cumpărare plătit de dvs. pentru produs. În nici un caz producătorul nu va fi responsabil pentru daune speciale, întâmplătoare, subsecvente sau indirecte. Această garanție nu acoperă un defect care a rezultat din utilizarea sau întreținerea necorespunzătoare sau nerezonabilă, asamblarea defectuoasă, accidente, catastrofe naturale, împachetare necorespunzătoare, manipulare, alterare sau modificare neautorizată determinată de noi în mod unic. Această garanție este nulă dacă eticheta care poartă numărul de serie a fost scoasă sau a devenit ilizibilă.

Nu puneți niciodată alte uleiuri esențiale pure sau alți aditivi în rezervorul de apă resp. bazinul de apă! Chiar și o cantitate mică poate deteriora plasticul și poate cauza fisuri.

Vă mulțumim că ați citit!



Trimiteti feedback despre umidificatorul și purificatorul de aer Clean Air Optima® CA-806 Smart/ CA-808 Smart la:
www.cleanairoptima.com



Pentru întrebări frecvente despre CA-806 Smart/ CA-808 Smart accesați:
www.cleanairoptima.com și căutați CA-806 Smart/ CA-808 Smart.



Descărcați manualul de instrucțiuni în format PDF de pe:
www.cleanairoptima.com/info/manuals



Urmăriți toate clipurile video de animație Clean Air Optima® pe:
www.youtube.com

Clean Air Optima International B.V. | Rientjesoven 26 | 7621 HG Borne
Țările de Jos | Telefon: +31 (0) 74 - 2670145

Clean Air Optima Germany GmbH | Enschedestraße 14 | 48529 Nordhorn
Germania | Telefon: +49 (0) 5921 879-121

E-mail: info@cleanairoptima.com

Internet: www.cleanairoptima.com

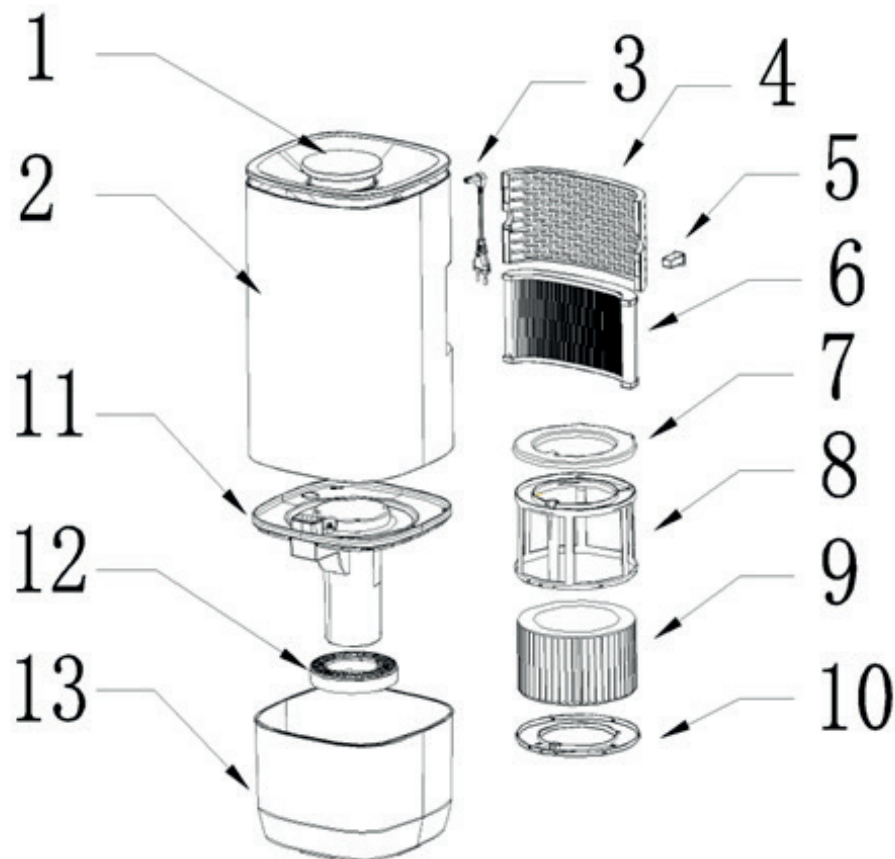
Lietuvių kalba

Dėkojame, kad įsigijote „Clean Air Optima[®]“ garinamąjį drėkintuvą ir oro valytuvą „CA-806 Smart / CA-808 Smart“.

Linkime jums ne vienerius metus mėgautis švairiu patalpų oru, naudojant šį veiksmingą ir efektyvų gaminį.

Šioje instrukcijoje aprašomi saugos nurodymai, kurių reikia laikytis naudojant prietaisą. Jie skirti apsaugoti nuo traumų ir išvengti prietaiso pažeidimo.

CA-806 Smart/ CA-808 Smart Pagrindinis įrenginys



Prietaiso aprašymas

Prietaisą sudaro šios pagrindinės dalys:

- | | |
|------------------------------------|-------------------------------------|
| 1. Ekrano dangtelis | 8. Vandens filtro laikiklis |
| 2. Korpusas | 9. Vandens filtras |
| 3. Maitinimo laidas | 10. Vandens filtro laikiklio apačia |
| 4. Oro įsiurbimo grotelės | 11. Vandens siurblio montavimas |
| 5. Kvapų dėžutė | 12. Harso filtras |
| 6. HEPA filtras | 13. Vandens bakas |
| 7. Vandens filtro laikiklio viršus | |

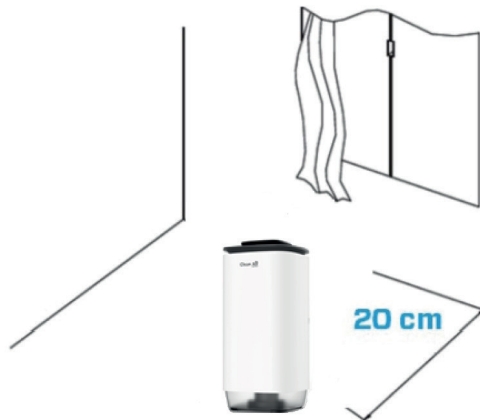
Saugos įspėjimai

Šį prietaisą galima naudoti tik laikantis šių saugos instrukcijų. Imkitės toliau nurodytų priemonių, kad sumažintumėte traumų riziką, pavyzdžiui, dėl elektros smūgio ar gaisro.

1. Naudokite prietaisą tik patalpose. Nenaudokite ir nelaikykite prietaiso lauke.
2. Naudokite tinkamą įtampą: 220–240 V, 50 / 60 Hz KS
3. Prietaisą gali naudoti vaikai nuo 8 metų ir vyresni bei asmenys, kurių fizinės, jutiminės ar protinės galimybės yra ribotos arba kuriems trūksta patirties ir žinių, jei jie buvo prižiūrimi arba gavo instrukcijas dėl prietaiso naudojimo saugiu būdu ir supranta su tuo susijusius pavojus. Vaikai negali žaisti su prietaisu. Vaikai be priežiūros NEGALI atlikti valymo ir naudotojo priežiūros darbus.
4. Prieš pildami vandenį, turite išjungti prietaisą.
5. Įsitinkite, kad prietaisas visada veikia su pripildytu vandens baku.
6. Nepalikite vandens bakelyje, kai prietaisas nenaudojamas.
7. Įspėjimas: Aplinkoje, kurioje naudojamas arba laikomas prietaisas, vandenyje gali būti mikroorganizmų. Jei vanduo nekeičiamas reguliariai arba akvariumas nevalomas kas 3 dienas, šie mikrobai gali daugintis akvariume ir išgaruoti į orą, o tai gali sukelti rimtų sveikatos problemų.
8. Vandenį keiskite kas 3 dienas.
9. Griežtai draudžiama uždengti oro įleidimo ir išleidimo angas bet kuo, kai prietaisas veikia.
10. Norėdami saugiai naudoti prietaisą, padėkite jį stabiliai ir horizontaliai. Nejudinkite naudojamo prietaiso.
11. Siekiant išvengti trukdžių ir žalos kitiems elektroniniams prietaisams, šį įrenginį reikia statyti mažiausiai 1 metro atstumu nuo kompiuterio, televizoriaus, radijo aparato ir kitos elektroninės įrangos.
12. Nenaudokite prietaiso, jei elektros laidas arba pats prietaisas yra pastebimai apgadinti. Jei prietaisas sugadintas, netaisykite jo patys. Prietaiso netraukite už laido. Apgadintą maitinimo laidą turi pakeisti įgaliotas techninės priežiūros darbuotojas, kad būtų išvengta elektros smūgio ar gaisro.
13. Remontą gali atlikti tik įgaliotas techninės priežiūros darbuotojas. Siekdami išvengti elektros smūgio ar gaisro, nbandykite taisyti prietaiso patys.
14. Kai prietaiso nenaudojate arba valote jo vidines ar išorines dalis, būtinai išjunkite iš maitinimo lizdo.
15. Prieš perkeldami prietaisą išimkite vandens bakelį.
16. Naudokite tik rinkinyje esančius maitinimo laidus.
17. Nenaudokite prietaiso patalpose, kuriose laikomi degūs skysčiai ar dujos, arti šilumos šaltinių arba itin drėgnose patalpose, pavyzdžiui, vonioje, duše ar baseine.
18. Siekdami išvengti prietaiso gedimo, niekada jį nedėkite tam neskirtų objektų.
19. Niekada neišmontuokite ir nekeiskite prietaiso vidinių dalių.
20. Siekdama išvengti prietaiso spalvos blukimo, nelaikykite jo tiesioginėje saulės šviesoje.
21. Niekada nenardinkite prietaiso į vandenį ar į kitus skysčius.
22. Nelieskite maitinimo laido šlapiomis rankomis.
23. Prieš padėdami prietaisą saugoti, jį išvalykite ir nusauskite (taip pat išpilkite iš prietaiso visą vandenį). Įrenginį laikykite vėsioje ir sausoje, vaikams nepasiekiamoje vietoje.
24. Nevalykite vandens nuotako, jei vanduo dar karštas.
25. Prietaisą naudokite, prižiūrėkite ir valykite pagal šio vadovo nurodymus.

Įrengimas

Įsitinkite, kad atstumas nuo prietaiso iki sienų ir baldų yra 20 cm, žr. toliau pateiktą paveikslėlį.



Pirmiausia nuimkite filtrų sandarinimo plėvelę.



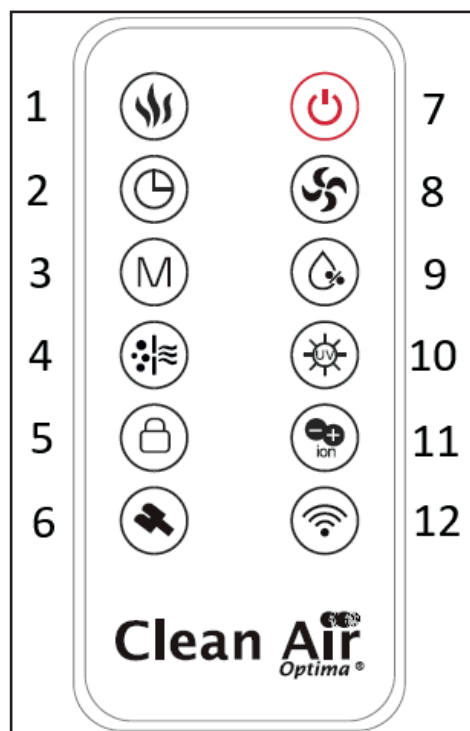
Nuimkite apsauginę plėvelę nuo ekrano.



Nuotolinio valdymo pultas

Nuotolinio valdymo pulto mygtukai:

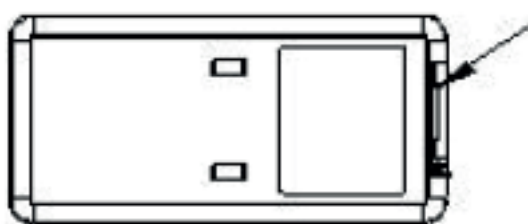
1. Šildymo / valymo režimas
2. Laikmatis
3. Režimas
4. Oro valymas
5. Apsauga nuo vaikų
6. Valymo režimas
7. ĮJUNGTA / IŠJUNGTA
8. Rūko lygis
9. Drėgmė
10. UV
11. Neigiami jonai
12. Wi-Fi



Nuotolinio valdymo pultas

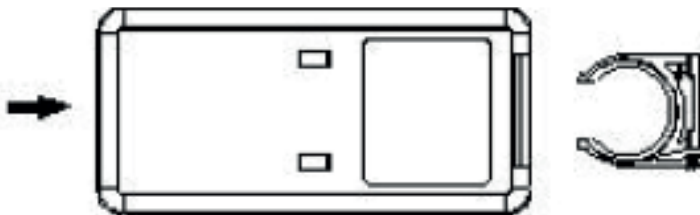
1. Nuimkite pulto galinėje pusėje esantį maitinimo elemento skyrelio dangtelį. (žr. 1 pav.).
2. Maitinimo elemento įdėjimas: nuotolinio valdymo pulto apačioje yra „saugos auselė“, pirmiausia turite ją paslinkti dešinėn ir tik tada galėsite ištraukti maitinimo elemento laikiklį. (žr. 2 pav.). Tinkama puse įdėkite maitinimo elementą. (žr. 3 pav.).
3. Maitinimo elemento skyrelio dangtelį įstumkite atgal į nuotolinio valdymo pultą.

Nuotolinio valdymo pultas

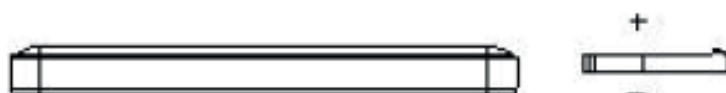


(1 pav.)

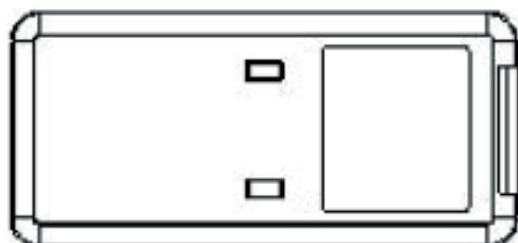
Maitinimo elemento skyrelio dangtelis



(2 pav.)



(3 pav.)



Maitinimo elementas (CR2025)

Naudojimo instrukcijos

Prieš pradėdami naudoti, išimkite „Clean Air Optima[®]“ CA-806 Smart/ CA-808 Smart iš dėžės ir palikite prisitaikyti prie patalpos temperatūros mažiausiai 30 minučių, ypač jei įrenginys atneštas iš šalto lauko oro. Padėkite prietaisą ant tvirto, lygaus ir vandeniui nejautraus paviršiaus, ir mažiausiai 20 cm atstumu nuo sienos.

CA-806 Smart & CA-808 Smart sukurtas veikti esant 5–40 °C temperatūrai ir mažesnei nei 85 % santykinei drėgmei.

Norėdami pradėti, pakelkite korpusą – jis laisvai pritvirtintas prie vandens bako. Išimkite vandens filtrą iš vandens siurblio korpuso. Išimkite vandens siurblio korpusą iš vandens bako. Dabar galite pripildyti vandens baką iki maks. linijos, esančios ant vandens bako, arba galite įpilti mažiau vandens.

Pakelkite kėbulo gaubtą



Vandens bakelio dangtelis ir filtras



Vandens pripildymas iš čiaupo



Pakiskite vandens bakelį po **čiaupu** ir pripildykite. Pripildykite bakelį vandentiekio vandens (ar kitokio švaraus vandens, ne šiltesnio nei 40 °C), atgal uždėkite dangtelį ir filtrą.

Užpildymas iš viršaus: Vandens talpą taip pat galima papildyti ąsočiuotiesiai iš/nuo drėkintuvo viršaus.

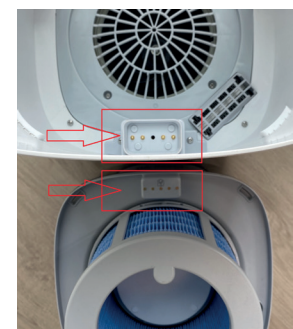
Užpildymas iš viršaus



1. Pav



2. Pav



Pakeiskite vandens rezervuarą ir filtras (1 pav.).

Uždėkite korpuso korpusą ant vandens bako viršaus ir užmaukite jį ant filtro taip, kad sąlyčio taškai būtų vienas priešais kitą (2 pav.).

Įkiškite maitinimo laido kištuką į tinkamą maitinimo lizdą. Išgirsite signalą, rodantį, kad prietaisas veikia budėjimo režimu.

Įjungus arba išjungus drėkintuvą parodomos drėgmės reikšmės.



Maitinimo mygtukas:

Paspauskite maitinimo mygtuką budėjimo režime, kad įjungtumėte drėkintuvą:

- Kai vandens baka yra vandens, pasigirsta pyptelėjimas ir visas prietaisas pereina į darbo režimą: Pradinė prietaiso paleidimo būsena: prietaisas veikia 3 greičiu, užsidega UV piktograma, pradeda veikti vandens siurblys.
- Paspauskite šį mygtuką darbo režime: prietaisas pereina į oro džiovinimo režimą ir po oro džiovinimo pereina į budėjimo režimą; prietaisas veikia (išskyrus atvejus, kai įjungta vaikų užrakto funkcija), paspauskite įjungimo/išjungimo mygtuką, kad įjungtumėte oro džiovinimo programą.

Oro džiovinimo procesas vyksta taip:

- Priemonė veikia 4 greičiu, užsidega piktograma „PTC šildymas įjungtas“, kitos skaitmeninio ekrano piktogramos užgęsta; prietaisas išsijungia po 50 minučių veikiančios oro džiovinimo programos ir pereina į budėjimo režimą. (Pastaba: šildymo funkcija išsijungia iš anksto 45-ąją oro džiovinimo programos minutę).
- Džiovinimo oro režimu metu paspauskite įjungimo / išjungimo mygtuką – prietaisas išeis iš džiovinimo oro režimu ir pereis į budėjimo režimą.



UV mygtukas / Neigiamų jonų mygtukas:

Įrenginys įsijungia įjungus UV lempą. Dar kartą paspauskite mygtuką, kad jį išjungtumėte.

Norėdami įjungti jonizatorių, palaikykite mygtuką 3 sekundes. Dar kartą paspauskite ir 3 sekundes palaikykite nuspaudę, kad jonizatorių išjungtumėte.

UV sterilizavimo funkcija, kuri naikina bakterijas rūko išleidimo oro sraute prieš jam patenkant į patalpą.

Paspaudus **neigiamų jonų mygtuką** aktyvinamas neigiamų jonų generatorius. Jo maksimali išėiga yra > 3 000 000 neigiamų jonų / cm³. Šie neigiami jonai paskleidžiami visoje patalpoje ir neutralizuoja teršalus bei kvapus. Neigiami jonai tvirtinasi prie dulkių dalelių, mikroorganizmų ir kitų nepageidaujamų oro dalelių bei jungia jas vienas prie kitų. Taip tos dalelės pasidaro sunkesnės už orą ir leidžiasi ant žemės, kur jų nebegalėsite įkvėpti.

Neigiami jonai dažniausiai randami miškuose, kalnuose ir prie jūros. Jie užtikrina, kad oras būtų šviežias ir sveikas.



Drėkinimo mygtukas:

Paspausdami **drėkinimo mygtuką**, galite pasirinkti pageidaujama drėgmės lygį – pakartotinai spauskite šį mygtuką, kol bus parodytas reikiamas drėgmės lygis (nuo 30 iki 80 %, 5 % žingsniu). Kai pasirinksite pageidaujama drėgmės lygį, tiesiog nebespauskite mygtuko ir drėgmės lygis bus nustatytas.

Nustačius, ekranas mirksės kartą per sekundę, o po to tris kartus iš eilės, kad būtų rodoma dabartinė nustatyta vertė. Po mirksėjimo rodoma dabartinė drėgmė, kurios rodymo diapazonas yra 20–90 % santykinė drėgmė.

Pirmąsias 2 minutes po to, kai prietaisas įjungia pastovaus drėgnumo režimą, greitis nekinta. Po 2 minučių ventiliatorius veikia pagal šį grafiką:

1. Kai drėgmė pasiekia arba viršija nustatytą drėgmę, prietaisas nustoja drėkinti ir ventiliatorius veikia 1 greičiu;

2. Kai faktinė drėgmė yra mažesnė nei nustatyta drėgmė „2 %“, prietaisas tęsia drėkinimą 2 greičiu;
3. Kai faktinė drėgmė yra mažesnė nei nustatyta drėgmė „4 %“, prietaisas tęsia drėkinimą 3 greičiu;
4. Kai faktinė drėgmė yra mažesnė nei nustatyta drėgmė „6 %“, prietaisas tęsia drėkinimą 4 greičiu.

Pastaba: Jei greitis pakeičiamas pastovaus drėgnumo režimu, prietaisas 2 minutes veiks nustatytu greičiu, o po 2 minučių pakartos aukščiau aprašytą procedūrą.

Paspauskite mygtuką „Drėgmė“, prietaisas parodys dabartinę drėgmės nustatymo vertę, tada dar kartą paspauskite mygtuką „Drėgmė“, kad atitinkamai sureguliuotumėte drėgmės vertę.



Režimo mygtukas / WIFI mygtukas:

Pirmą kartą paspaudus režimo mygtuką, užsidega piktograma „Automatinis režimas“ ir tris kartus sumirksi, prieš įjungiant automatinį režimą. Paspaudus režimo mygtuką antrą kartą per tris sekundes, įrenginys pereis į sveikatos režimą. Tada piktograma „Sveikatos režimas“ tris kartus sumirksės, prieš įjungiant sveikatos režimą. Ir taip toliau.

Režimo mygtukų rotacijos tvarka yra tokia: automatinis režimas -> sveikatos režimas -> miego režimas -> be nustatymų -> automatinis režimas.

Automatinis režimas:

Įjungus „Automatinį režimą“, drėgmė nustatoma į 68 %, o rūko tūris priverstinai drėkina 5 minutes 4 lygiu. Po 5 minučių rūko tūrio lygis reguliuojamas pagal šiuos reikalavimus:

Kai drėgmės vertė yra mažesnė nei 60 %, rūko tūris veikia 4 lygiais; kai drėgmės vertė yra nuo 60 % iki 63 %, rūko tūris veikia 3 lygiais; kai drėgmės vertė yra nuo 64 % iki 68 %, rūko tūris veikia 2 lygiais; kai drėgmės vertė viršija 68 %, veikia 1 lygiu.

Sveikas režimas:

Dar kartą paspauskite režimo mygtuką. Piktograma „Sveikas režimas“ sumirksės tris kartus per sekundę, tada bus aktyvuotas sveikas režimas.

Įjungus sveiką režimą, skaitmeniniame skydelyje užsidegs piktograma „Sveikas režimas“; įsijungs neigiami jonai ir UV šviesa, o prietaisas veiks 3 lygiu.

Įjungus sveiką režimą, prietaisas automatiškai nustato optimalų drėgmės lygį pagal aplinkos temperatūrą ir padidina drėgmės nustatymą 5 % pagal aptiktą vertę. Pavyzdžiui, jei aptikta vertė yra 45 %, nustatyta drėgmė bus 50 % ir taip toliau.

Kai prietaisas pasiekia arba viršija nustatytą drėgmę, ventiliatorius veiks 1 lygiu. Kai drėgmė nukrenta žemiau nustatytos „2 %“ drėgmės, prietaisas grįš į 3 lygį.

Miego režimas:

Trečią kartą paspauskite režimo mygtuką. Piktograma „Miego režimas“ sumirksės tris kartus per sekundę ir bus įjungtas miego režimas:

1. Funkcijos, kurios buvo įjungtos prieš įrenginiui pereinant į miego režimą (įskaitant UV, laikmatį ir neigiamus jonus), neturi įtakos miego režimui.
2. Po 10 sekundžių, kai įrenginys pereina į miego režimą, ekranas išsijungs (išskyrus „Miego režimo“ piktogramą) ir prietaisas veiks 75 % 1 purškimo lygio greičio.

Kai įrenginys miego režimu aptinka, kad vandens bakas tuščias, piktograma „Vandens trūkumas“ liks šviesti, garsinis signalas neskambės ir įrenginys pereis į budėjimo režimą.

„Wi-Fi“ ryšys:

3 sekundes palaikykite nuspaudę mygtuką „Režimas / Wi-Fi“. Įrenginys pradės veikti „Wi-Fi“ susiejimo būseną, o „Wi-Fi“ piktograma mirksės, kol įrenginys bus sėkmingai susietas. Dar kartą paspauskite ir 3 sekundes palaikykite nuspaudę mygtuką „Režimas / Wi-Fi“. Pasigirs vienas garsinis signalas, įrenginio „Wi-Fi“ susiejimo režimas bus baigtas, o „Wi-Fi“ piktograma užges.



Šilto rūko mygtukas / Valymo režimo mygtukas:

Paspaudus mygtuką „Šildymas“, įjungiama šildymo funkcija. Šildymas užtikrina, kad vandens filtras greitai ir efektyviai išdžiūtų.

Įjungus šildymo funkciją, prietaisas veikia 4 nustatymu. Greičio reguliuoti negalima; tai padarius, šildymo funkcija bus išjungta.

Norėdami išjungti šią funkciją, dar kartą paspauskite mygtuką „Šildymas / valymas“.

Paspauskite ir palaikykite mygtuką „Šildymas / valymas“. Prietaisas išeina iš „Šildymo / valymo“ režimo ir pereina į valymo režimą .



Rūko lygio mygtukas:

Įrenginys toliau drėkina orą, o drėgmės reguliuoti negalima.

Pradinė įrenginio veikimo būseną yra 3 lygis.

Įrenginys turi 4 lygius. Kiekvieną kartą paspauskite mygtuką, kad pasiektumėte lygį skalėje.

Rūko lygio seka yra: 3-> 4-> 1-> 2-> 3-> 4-> 1-> 2-> 3... ir taip toliau.

Vandens siurblys pirmąsias 2 minutes veikia nuolat;

Po 2 minučių vandens siurblys sustoja 3 minutėms ir tada veikia 15 sekundžių; tada sustoja 3 minutėms ir vėl veikia 15 sekundžių ir taip toliau.



Oro valymas / vaikų užrakto mygtukas:

Paspauskite mygtuką „Oro valymas / vaikų užraktas“, kad įjungtumėte oro valymo režimą.

Vandens siurblys išsijungs, o prietaisas nustos rodyti drėgmę. Užsidegs PM2.5 piktograma, rodanti esamą oro kokybę. Paspauskite dar kartą, kad grįžtumėte į drėkinimo režimą.

Paspauskite ir 3 sekundes palaikykite nuspaudę mygtuką „Oro valymas / vaikų užraktas“; užsidegs prietaiso vaikų užrakto įjungimo piktograma. Dar 3 sekundes palaikykite nuspaudę mygtuką „Oro valymas / vaikų užraktas“; prietaiso vaikų užrakto išjungimo piktograma išsijungs.



Įspėjimas apie vandens trūkumą:

Įrenginiui aptikus, kad vandens bakas tuščias, jis persijungia į šildymo-džiovinimo sistemą ir vandens trūkumo režimą. Trūkstant vandens, vandens lygio indikatoriaus lemputė ir spalvota vandens bako lemputė tris kartus sumirksės raudonai ir tris kartus supypsės. Tada įjunkite „šilto rūko“ šildymo ir džiovinimo+ sistemą ir po 30 minučių perjunkite į budėjimo režimą. Arba paspauskite įjungimo/išjungimo mygtuką, kad išjungtumėte įrenginį ir pripildytumėte vandens baką.

Pripildžius vandens baką, vandens lygio indikatoriaus lemputė ir spalvota vandens bako lemputė užges, o įrenginys persijungs į budėjimo režimą.

Vandens lygio aprašymas:

Vandens bako skalės: pilnas vanduo, vandens trūkumas.

- 1 Žemas vandens lygis: kai vandens siurblys aptinka nuolatinį vandens trūkumą 10 sekundžių, įrenginys persijungia į žemo vandens lygio būseną.
2. Vandens bako pildymas: įpilkite vandens, kai įrenginys įjungiamas arba išjungiamas. Kai vandens bakas pilnas, skaitmeninis ekranas sumirksės 5 kartus ir 5 kartus suskambės garsinis signalas. Ekране pasirodys užrašas FUL.

Įsitikinkite, kad vandens bakas visada yra visiškai pripildytas.



Laikmačio mygtukas:

Paspausdami **laikmačio mygtuką** galite nustatyti laikmatį. Laikmačio funkcija apibrėžia, kiek valandų veiks drėkintuvas. Laikmatį galite nustatyti tiesiog paspausdami po vieną kartą kiekvienai valandai pagal tai, kiek laiko norite, kad prietaisas veiktų. Laikmatį galima nustatyti nuo 1 iki 12 valandų. Laikui bėgant reikšmė mažėja, o pasiekus 00:00 prietaisas išsijungia.

Valymas po 72 veikimo valandų:

1. Kai prietaisas veikia 72 valandas, ekrane rodoma „72 hours“ ir ji mirksi, kol valymo laikas bus nustatytas iš naujo.
2. Ilgai paspauskite mygtuką „Šildymas/Valymas“. Įrenginys išeis iš „Drėkinimo“ režimo ir ims veikti valymo režimu.
3. Išvalykite vandens baką (patarimas)..
4. Paspauskite ir 2 sekundes palaikykite nuspaudę mygtuką „On/Off“, kad išjungtumėte pranešimą apie valymo laiką „72 hours“. Ekране rodoma „00 hours“ ir 3 kartus sumirksės. Tada ekrane rodoma drėgmė.
5. Jei prietaisas dar nebuvo naudojamas 72 valandas, galite atkurti valymo režimą paspausdami ir 2 sekundes palaikydami mygtuką „On/Off“, kad prietaiso laikas būtų nustatytas į 0 ir perskaičiuotas. „Drėgmės“ piktograma rodoma „00H“ ir 3 kartus sumirksės. Atkuriamą įprasta ekrano būseną.

Įjungus miego režimą, nerodomas joks valymo raginimas. Išeinant iš miego režimo, rodomas valymo raginimas.

Drėgmės rodymas:

Kai drėgmė yra mažesnė nei 45 %, vandens bako lemputė šviečia oranžine spalva; kai drėgmė yra nuo 45 % iki 60 %, lemputė šviečia mėlyna spalva; kai drėgmė yra didesnė nei 60 %, lemputė šviečia balta spalva. Vidutinė vertė naudojama kaip rodoma vertė.

Valymas ir priežiūra

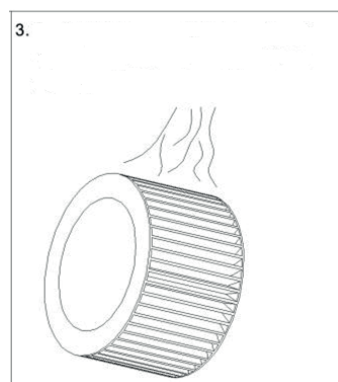
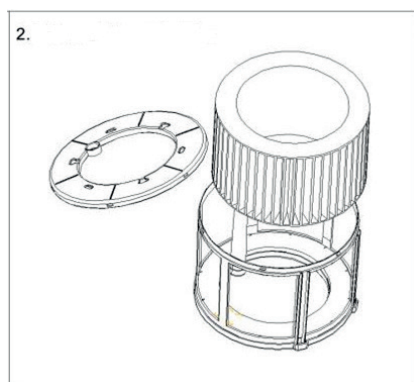
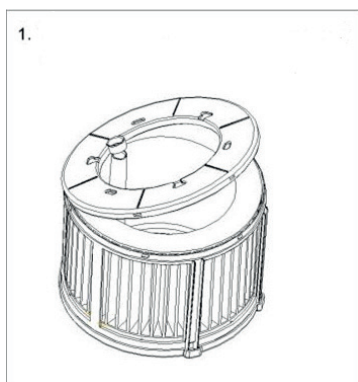
Vandens filtro valymas

Kai kuriose vietovėse vandens kokybė prasta. Po ilgo naudojimo ant vandens filtro paviršiaus gali kauptis kalkių nuosėdos arba dulkės. Galite išardyti vandens filtrą ir išskalauti jį švairiu vandeniu. Įprastai naudojant, rekomenduojama vandens filtrą keisti kas šešis mėnesius.

Išimkite vandens filtrą iš prietaiso ir išardykite jo dugną.

Išimkite vandens filtrą.

Nuplaukite visus nešvarumus nuo vandens filtro paviršiaus tekančiu vandeniu ir vėl jį surinkite. Įdėkite jį atgal į prietaisą.



Hars filtro valymas

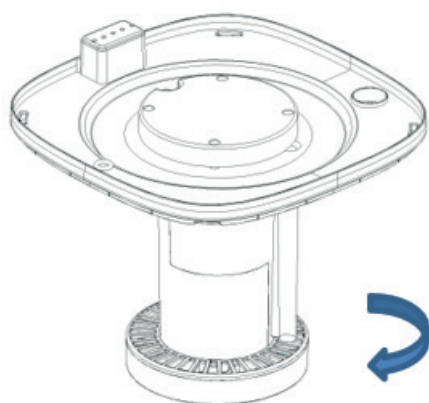
Kai kuriose vietovėse vandens kokybė prasta. Po ilgo naudojimo ant hars filtro paviršiaus gali kauptis kalkių nuosėdos arba dulkės. Hars filtrą galite išardyti ir išskalauti švairiu vandeniu. Įprastai naudojant, rekomenduojama vandens filtrą keisti kas šešis mėnesius.

Pakelkite vandens bako pertvaros mazgą, pasukite vandens minkštitklį pagal laikrodžio rodyklę ir, kai sagtis atsilaisvins, ištraukite vandens minkštitklį (1 pav.).

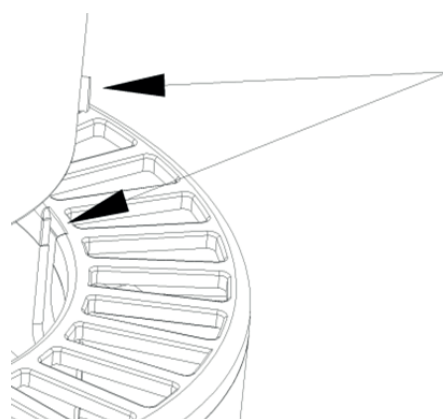
Nuplaukite visus nešvarumus nuo dervos filtro paviršiaus vandentiekio vandeniu ir vėl jį surinkite.

Paveikslėlyje rodykle pažymėtas latakas sulygiuojamas ir įstatomas, tada sukite vandens minkštitklį prieš laikrodžio rodyklę, kol pajusite sagtį (2 pav.).

1 pav.



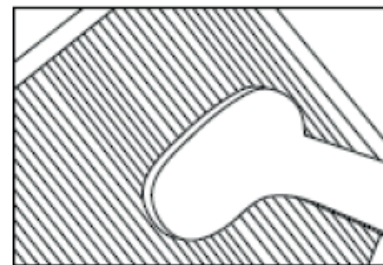
2 pav.



HEPA H13 filtro valymas

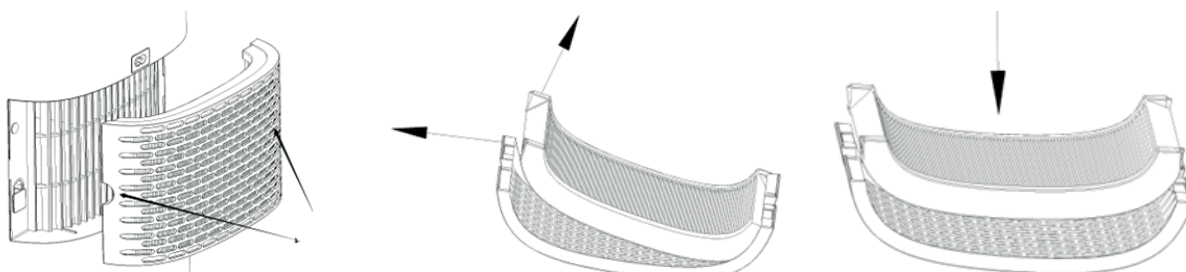
Didžiausias efektas pasiekiamas filtrus valant kartą per mėnesį. Jei patalpos oras ypač užterštas, gali prireikti valyti dažniau.

Aktyvintosios anglies **pirminį filtrą** ir **HEPA filtrą** valykite šepetėliu ar nusiurbkite dulkių siurbliu. Taip iš filtro galima pašalinti stambesnes dulkių daleles, pavyzdžiui, pūkus, plaukus ir gyvūnų pleiskanas.



Įspėjimas! Niekada nešlapinkite ir neplaukite kompozitinių filtrų (HEPA ir aktyvintosios anglies filtro) vandeniu.

Išimkite filtrus iš filtrų rėmo skyriaus. Pakeitę arba išvalę filtrą, įdėkite filtrus atgal į filtrų rėmo skyrių ir surinkite atgal į prietaisą, žr. toliau pateiktą paveikslėlį.



Požymiai, kad filtrai nebetinkami naudoti

Padidėjęs garsas, sumažėjęs oro srautas, užkimšti filtrai, stipriau juntami kvapai. Filtrą reikia pakeisti nauju, kai HEPA filtro spalva pakinta iš baltos į pilką arba juodą. Jei HEPA filtras vis dar baltas, jo keisti NEREIKIA.

Kaip užsisakyti filtrų

Paskambinkite į „Clean Air Optima“ klientų aptarnavimo skyrių tel. + 31(0)742670145 arba apsilankykite mūsų internetinėje parduotuvėje <https://www.cleanairoptima.com/-accessoires>

Oro valytuvo išorės valymas



1. Išjunkite prietaisą ir ištraukite kištuką.
2. Nuo prietaiso minkšta drėgna šluoste nuvalykite dulkes ir nešvarumus.
3. Saugokite, kad į prietaisą nepatektų vandens.

Nuvalykite kontaktinius taškus.

Reguliariai valykite kontaktinius taškus švaria, sausa šluoste.



Filtrų keitimas

„Clean Air Optima CA-806 Smart“ / „CA-808 Smart“ įrengtas filtrų tarnavimo laiko stebėjimo mechanizmas, kuris signalizuoja, kad filtrus (HEPA H13, vandens filtrą, dervos filtrą ir sidabroną) reikia pakeisti po 1000 darbo valandų. Kad šiuos elementus reikia pakeisti, prietaisas skleidžia dvigubo nulio  indikatorius lemputę. Filtrų laikmatį nustatykite iš naujo paspausdami ir palaikydami Rūko lygio mygtuką  maždaug 4 sekundes. Jei indikatorius lemputė užgęsta, laikmatis sėkmingai nustatytas iš naujo.

Priklausomai nuo naudojimo, filtrų tarnavimo laikas yra maždaug 3–6 mėnesiai. UV-C lempa yra nuolatinė, jos keisti nereikia.

Išimkite filtrus iš filtro rėmo skyriaus. Pakeitę arba išvalę filtrą, įdėkite filtrus atgal į filtro rėmo skyrių ir surinkite juos prie prietaiso, žr. skyrių „Valymas ir priežiūra“.

„Clean Air Optima[®]“ filtro „Silver Ion SI-01“ įdėjimas ir keitimas

Filtrą „Silver Ion SI-01“ naudoja nuo mikrobuų saugantį sidabro poveikį ir neleidžia vandenyje augti bakterijoms bei kauptis kvapams. „Silver Ion SI-01“ veikia ir tada, kai drėkintuvas išjungtas, todėl vanduo išlieka šviežias visą laiką.

Filtrą „Silver Ion SI-01“ pakeiskite drėkintuvo naudojimo sezono pradžioje arba pakeiskite „Silver Ion SI-01“ po vienerių naudojimo metų.

Filtro „Silver Ion SI-01“ keitimas:

Norėdami pradėti, pakelkite korpusą – jis laisvai pritvirtintas prie vandens bako. Išimkite vandens filtrą iš vandens siurblio korpuso. Išimkite vandens siurblio korpusą iš vandens bako.

**Pakelkite kėbulo
gaubtą**



**Vandens bakelio dangtelis
ir filtras**



Silver Ion SI-01



1. Išimkite naudotą filtrą „Silver Ion SI-01“.

2. Įdėkite naują „Silver Ion SI-01“.

Seną filtrą „Silver Ion SI-01“ išmeskite su įprastinėmis namų ūkio atliekomis.

„Silver Ion SI-01“ negalima naudoti ilgiau nei nurodyta.

Filtrą „Silver Ion SI-01“ galite užsisakyti mūsų internetinėje parduotuvėje adresu

www.cleanairoptima.com

„Clean Air Optima[®]“ sausintuvo / oro valytuvo laikymas

Jei sausintuvas / oro valytuvas nebus naudojamas ilgesnį laiką:

1. Pirmiausia ištuštinkite ir išdžiovinkite vandens baką.
2. Paleiskite oro džiovinimo programą (žr. skyrių „Maitinimo mygtukas“).
3. Atjunkite įrenginį nuo elektros tinklo ir suvyniokite maitinimo laidą.
4. Išimkite ir išvalykite filtrus. Po valymo įdėkite filtrus atgal.
5. Laikykite įrenginį vėsioje, sausoje vietoje, toliau nuo tiesioginių saulės spindulių, ekstremalių temperatūrų ir per didelio dulkių kiekio.
5. Jei įrenginys nebus naudojamas ilgesnį laiką, geriausia jį uždengti apsauginiu dangteliu, kad nesikauptų dulkės. Tai gali sukelti problemų valant ir prižiūrint ateityje.

Vandens rezervuaro valymas

Vanduo turi būti reguliariai keičiamas vandens bakelyje. Vanduo vandens bakelyje neturėtų likti ilgiau nei 3 dienas.

- Atkreipkite dėmesį, kad didelė drėgmė gali paskatinti biologinių organizmų augimą aplinkoje.
- Neleiskite, kad plotas aplink drėkintuvą būtų drėgnas ar šlapias. Jei atsiranda drėgmės, sumažinkite drėkintuvo galią. Jei drėkintuvo išėjimo tūrio sumažinti nepavyksta, drėkintuvą naudokite su pertraukomis. Neleiskite, kad sugeriančios medžiagos, tokios kaip kilimai, užuolaidos, užuolaidos ar staltiesės, sudrėktų.
- Pildydami ir valydami ištraukite kištuką iš lizdo.
- Niekada nepalikite vandens bakelyje, kai prietaisas nenaudojamas.
- Prieš sandėliuodami ištuštinkite ir išvalykite drėkintuvą. Prieš kitą naudojimą išvalykite drėkintuvą.
- Išvalykite vandens bakelio vidų švelniu plovikliu ir nuplaukite švariu vandeniu.

Įspėjimas: mikroorganizmai, galintys būti vandenyje arba aplinkoje, kurioje naudojamas prietaisas, gali augti vandens bakelyje ir būti išpūsti į orą. Tai gali sukelti pavojų sveikatai, jei vanduo nekeičiamas ir bakas nėra tinkamai išvalomas kas 3 dienas.



Darbas su „Clean Air Optima[®]“ programėle

Ryšys

Suderinamumas su išmaniuoju telefonu ir planšetiniu kompiuteriu:



„iPhone“, „iPad“ ir „Android“ prietaisai

Prietaisų ryšys per „Wi-Fi“ su programėle:

„CleanAirOptima“

Dėmesio! Maršrutizatorius turi būti nustatytas į 2,4 GHz plačiajuostį ryšį. Jei maršrutizatorius nustatytas į 5,0 GHz, neįmanoma užmegzti ryšio.

„Wi-Fi“ ryšio nustatymas

1. Iš „App Store“ arba „Google Play“ parduotuvės atsisiųskite ir įdiekite „CleanAirOptima“ programėlę.
2. Susikurkite paskyrą ir prisijunkite.
3. Maršrutizatorius turi būti nustatytas į 2,4 GHz plačiajuostį ryšį. Jei maršrutizatorius nustatytas į 5,0 GHz, ryšio užmegzti negalima.
4. Įsitikinkite, kad išmaniajame telefone įjungta „Bluetooth“ funkcija.
5. Prijunkite prietaisą prie maitinimo lizdo ir jį įjunkite. Sumirksės „WiFi“ indikatorius. Jei „WiFi“ lemputė, pritvirtinkite „REŽIMAS / WIFI“ sumažintą ir palaikykite 5 sekundes. Tada greitai mirksės „WiFi“ lemputė. Jūsų „WiFi“ paprasta naudotis ir esate juo patenkinti.
6. Įsitikinkite, kad išmanusis telefonas arba planšetinis kompiuteris sėkmingai prijungtas prie „Wi-Fi“ tinklo.
7. Atidarykite „CleanAirOptima“ programėlę ir spustelėkite „Add device“ (pridėti prietaisą)  Jūsų prietaisas yra sąrašė, todėl galite jį pasirinkti. Jei taip nėra, pasirinkite „Auto Scan“ (automatinis nuskaitymas). Norėdami prijungti prietaisą prie tinklo, vykdykite ekrane pateikiamus nurodymus.
8. Programėlėje pasirinkite įtraukti „Clean Air Optima[®]“ prietaisą, vadovaudamiesi programėlės instrukcijomis.
9. Susiejus prietaisą, „Wi-Fi“ signalinė  lemputė nuolat šviečia.
10. Sėkmingai sukongūravę prietaisą, galite naudoti „Clean Air Optima[®]“ programėlę prietaisui valdyti.

Pastaba:

- Jei numatytasis tinklas pasikeitė, iš naujo nustatykite „Wi-Fi“ ryšį atlikdami skyriaus „Wi-Fi ryšio nustatymas“ 1–10 veiksmus.
- Jei norite susieti kelis prietaisus su išmaniuoju telefonu ar planšetiniu kompiuteriu, turite tai padaryti vieną po kito.
- Įsitikinkite, kad atstumas tarp išmaniojo telefono ar planšetinio kompiuterio ir prietaiso yra mažesnis nei 5 metrai ir nėra jokių kliūčių. Taip pat įsitikinkite, kad esate toje pačioje patalpoje kaip ir prietaisas.

Iš naujo nustatykite „Wi-Fi“ funkciją:

- Prietaisas turi būti įjungtas.
- Iš naujo nustatykite „Wi-Fi“ paspausdami mygtuką „REŽIMAS / WIFI“ ir palaikydami 5 sekundes, „Wi-Fi“ signalinė lemputė greitai mirksės.



Išjunkite „Wi-Fi“ funkciją:

- Iš naujo nustatykite „Wi-Fi“ paspausdami mygtuką „Mode“ ir palaikydami 5 sekundes, „Wi-Fi“ signalinė lemputė greitai mirksės.
- Įjunkite „Wi-Fi“ paspausdami mygtuką „Mode“ ir palaikydami dar 5 sekundes, „Wi-Fi“ signalinė lemputė užges.

Prijunkite įrenginius prie kelių telefonų

Pastaba: Pirmiausia kitas asmuo turi įdiegti „Clean Air Optima[®]“ programėlę savo telefone ir susikurti naują paskyrą.

Bendrinkite įrenginį su ribota prieiga:

Galite pasirinkti bendrinti 1 įrenginį su keliais asmenimis.

Tada šis asmuo turės prieigą, bet negalės valdyti visų nustatymų.

Jei norite bendrinti įrenginį su keliais asmenimis, remkitės toliau pateiktomis instrukcijomis:

1. Pažymėkite atitinkamą įrenginį.
2. Paspauskite pieštuką arba tris taškus viršutiniame dešiniajame kampe.
3. Pasirinkite „Bendrinti įrenginį“.
4. Paspauskite „Pridėti bendrinimą“.
5. Pasirinkite bendrinimo būdą pvz. el.paštu, „whatsapp“, trumpoji žinutė ir pan., tada tęskite.
6. Įrenginys automatiškai bus rodomas „Clean Air Optima[®]“ programėlėje kartu su kita paskyra.

Bendrinkite įrenginį su visa prieiga:

Galite įtraukti asmenį arba kelis asmenis į savo namų valdymą.

Tada tas asmuo turės prieigą prie visų jūsų įrenginių, kurie jau yra susieti, ir turės visas teises bei leidimus. Jūs visada liksite pagrindiniu administratoriumi.

Remkitės toliau pateiktomis instrukcijomis, norėdami įtraukti ką nors į savo namų valdymą:

1. Atverkite „Clean Air Optima[®]“ programėlę ir paspauskite „Aš“.
2. Tada pasirinkite „Namų valdymas“.
3. Pasirinkite „Sukurti namus“.
4. Paspauskite reikiamą „Namai“ ir „Pridėti narį“.
5. Pasirinkite bendrinimo būdą pvz. el.paštu, „whatsapp“, trumpoji žinutė ir pan., tada tęskite.
6. Asmens su kuriu bendrinote savo „Namus“ „Clean Air Optima[®]“ programėlėje automatiškai atsiras atitinkami „Namai“.
7. Kitoje paskyroje:
Atverkite pagrindinį „Clean Air Optima[®]“ programėlės ekraną. Viršutiniame kairiajame kampe paspauskite „Namai“.

Aromaterapija

Kvapų funkcijos aktyvinimas:

- Ištraukite kvapų dėklą.
- Ant kempinės užlašinkite 5-10 lašų „Clean Air Optima[®]“ eterinio aliejaus.
- Įdėkite kvapų dėklą atgal.
- Kai įjungsite oro drėkintuvą, bus suaktyvinama kvapų funkcija.
- Jei norite ją išjungti arba jei ilgesnį laiką nenaudosite prietaiso, išimkite kvapų kempinę iš skyrelio ir išplaukite ją naudodami nedidelį kiekį nestipriai muiluoto vandens. Leiskite kempinei visiškai išdžiūti prieš dėdami ją atgal į kvapų skyrelį. Kvapų kempinę galima naudoti daug kartų.



Svarbu

Kad galėtumėte džiaugtis geriausiais rezultatais ir gauti kuo daugiau naudos iš oro drėkintuvo, patariame atidžiai perskaityti toliau pateiktas instrukcijas apie eterinių aliejų naudojimą su oro drėkintuvu „CA-806 Smart/ CA-808 Smart“.

Eterinių aliejų naudojimas įrenginyje „CA-806 Smart/ CA-808 Smart“

Naudokite mūsų aukštos kokybės eterinius aliejus ir mėgaukitės asmenine aromaterapija! Nuostabiausi kvapų teikiami pojūčiai!

Aukštos kokybės įvairių kvapų eterinių aliejų rasite mūsų prekių asortimente. Jie puikiai tinka oro drėkintuvui „CA-806 Smart/ CA-808 Smart“ ir buvo specialiai sukurti naudoti su šiuo drėkintuvu.



Eterinių aliejų užsakyti galite mūsų internetinėje parduotuvėje, kurios adresas www.cleanairoptima.com

Įspėjimas!

Naudojant kitus eterinius aliejus, neskirtus šiam oro drėkintuvui, arba kitokius priedus (pavyzdžiui, kvepalus ar vandens valymo priemones) galima sugadinti oro drėkintuvą, todėl jų naudoti **NEGALIMA!** Jokiu būdu nedėkite grynų eterinių aliejų ar kitų priedų į vandens bakelį ar vandens dubenį! Netgi dėl mažo kiekio gali būti pažeistas plastikas ir atsirasti įtrūkimų. Medžiaga nėra skirta naudoti su priedais. Pakanka vieno lašo, kad būtų pažeistas vandens bakelis / dubuo ir prietaisas taptų nebetinkamas naudoti. Prietaisams, sugadintiems naudojant priedus, garantija negalioja.

Valymas ir priežiūra

Laikydami kelių paprastų priežiūros procedūrų, „Clean Air Optima[®] CA-806 Smart/ CA-808 Smart“ drėkintuvu ir oro valytuvu be rūpesčių galėsite naudotis daug metų. Jei jūsų vanduo kietas, jame daug kalcio ir kitų mineralų, po tam tikro laiko įvairūs patalpų paviršiai pasidengia baltomis dulkėmis (kalkėmis). Baltos nuosėdos (kalkės) taip pat formuojasi **vandens talpykloje** ir vandens bakelio viduje. Kalkių nuosėdos kenkia **oro aušintuvo** veikimui ir veiksmingai prietaiso higienos funkcijai.

Rekomenduojame toliau nurodytas priemones

1. Jei prietaisą naudojate kasdien, kartą per savaitę valykite **vandens bakelį „Clean Air Optima[®]“ valikliu ir kalkių šalinimo priemone.**
2. Kai tik prireikia papildyti vandens talpyklą, išpilkite likusį vandenį ir pripildykite ją švaraus vandens.
3. Išvalykite visą įrenginį, o kai jo nenaudojate, pasirūpinkite, kad visos jo dalys būtų visiškai sausas.



Specialiai sukurtas **Clean Air Optima[®]** oro aušintuvams, drėkintuvams ir sausintuvams:

- Neagresyvus
- Saugo plastikinius ir keraminius aušintuvo, drėkintuvo ir sausintuvo paviršius
- Bekvapis
- Greitai ir gerai valo bei šalina kalkes
- Biologiškai skaidus

Galite užsisakyti „Clean Air Optima[®]“ valiklį ir kalkių šalinimo priemonę mūsų el. parduotuvėje www.cleanairoptima.com.


Trikčių šalinimas



Toliau pateikiamas trikčių šalinimo vadovas, kuris padės išspręsti bet kokias problemas, kurių gali kilti naudojant **Clean Air Optima[®] drėkintuvą ir oro valytuvus CA-806 Smart/ CA-808 Smart**.

Problema	Galima priežastis	Sprendimas
Įrenginys neskleidžia miglos.	Maitinimo laidas neįjungtas į lizdą. Nepaspaustas mygtukas ĮJUNGIMAS / IŠJUNGIMAS. Tuščias vandens bakelis. Bakelyje per mažai vandens.	Įjunkite prietaisą į maitinimo lizdą. Paspauskite mygtuką ĮJUNGIMAS / IŠJUNGIMAS. Į bakelį pripilkite vandens. Bakelį pripildykite vandens.
Migla skleidžia keistą kvapą.	Naujas prietaisas. Vanduo nešvarus arba užsistovėjęs.	Išimkite vandens bakelį, atsukite dangtelį ir palikite išsivėdinti vėsioje vietoje 12 valandų. Išvalykite vandens bakelį ir pripilkite švaraus vandens.
Skleidžiama per mažai miglos.	Vandens dubenyje ir ant keitiklio susikaupė per daug mineralinių nuosėdų. Vanduo per daug nešvarus arba per ilgai buvo bakelyje.	Nuvalykite vandens indą ir keitiklį: „Clean Air Optima[®]“ valiklį ir kalkių šalinimo priemonę. Išvalykite vandens bakelį ir pripilkite švaraus vandens.
Prietaisas dirba triukšmingai.	Vandens bakelis įdėtas netinkamai. Bakelyje per mažai vandens. Prietaisas pastatytas ant nestabiliaus paviršiaus.	Tinkamai įdėkite vandens bakelį ant pagrindo. Pripildykite vandens bakelį. Prietaisą pastatykite ant stabilaus ir lygaus paviršiaus.
Migla skleidžiama iš srities aplink purkštuką.	Yra tarpų tarp korpuso aplink purkštuką ir vandens bakelio viršaus.	Nuimkite purkštuką nuo vandens bakelio viršaus ir nuvalykite drėgna šluoste. Iš naujo uždėkite ant vandens bakelio.
Nepavyksta dirbti naudojant „Clean Air Optima[®]“ pogramėlę.	Išmanusis telefonas ar planšetinis kompiuteris neprijungtas prie „WiFi“ tinklo. Įrenginys neturi ryšio su tinklas.	Įjunkite įrenginį ir iš naujo nustatykite įrenginio „Wi-Fi“ paspausdami ir 5 sekundes palaikydami rankinį mygtuką. „Wi-Fi“ signalinė lemputė greitai mirksės. Tada atlikite 3 – 10 veiksmus, nurodytus skyriuje „Darbas su „Clean Air Optima[®]“ programėle“.

Trikčių šalinimas

Toliau pateikiamas trikčių šalinimo vadovas, kuris padės išspręsti bet kokias problemas, kurių gali kilti naudojant **Clean Air Optima[®] drėkintuvą ir oro valytuvus CA-806 Smart/ CA-808 Smart**.

Problema	Galima priežastis	Sprendimas
<p>Ekrane rodomi dvigubi nuliai  .</p>	Filtrus reikia pakeisti.	Filtro laikmatį nustatykite iš naujo paspausdami ir maždaug 3 sekundes palaikydami mygtuką MODE. Kai indikatoriaus lemputė užgęsta, laikmatis sėkmingai nustatytas iš naujo.
Ekrane rodomos 72H valandos..	Aparatas veikia 72 valandas ir jį reikia išvalyti. Išvalykite vandens baką. Ilgai paspauskite mygtuką „Šildymas/Valymas“. Įrenginys išeis iš „Drėgmės“ režimo ir pereis į valymo režimą.	Norėdami nustatyti iš naujo, 3 sekundes palaikykite paspaudę maitinimo mygtuką.

Simboliai	Reikšmė
	Šis simbolis reiškia, kad filtrą reikia patikrinti ir, jei reikia, išvalyti prieš paleidžiant prietaisą. Filtrą keiskite kas 2–3 mėnesius.
	Šis simbolis reiškia, kad vandens baką reikia valyti kas 3 dienas. Vandens bakelyje keiskite kas 3 dienas. Prieš pradėdami valyti, ištraukite kištuką iš lizdo.

Jei jūsų vanduo labai kietas (jame neįprastai daug mineralų), iš drėkintuvo gali būti skleidžiamos baltos dulkės. Tai nėra gedimas. Sprendimas – dažniau valyti vandens filtrą arba naudoti minkštesnį vandenį, pavyzdžiui, distiliuotą.

ĮSPĖJIMAS!

Jei pirmiau rekomenduojami sprendimai nepadeda, susisieki su „Clean Air Optima“ techninės pagalbos skyriumi jūsų regionui skirtu telefono numeriu. Nebandykite išmontuoti, iš naujo surinkti ar taisyti prietaiso, nes gali būti anuliuota garantija.

Specifikacijos CA-806 Smart

Modelis	CA-806 Smart
Tinka patalpoms iki	60 m ² / 150 m ³ / 645 kvadratinių pėdų
Vardinė įtampa	100–240 V, 50 / 60 Hz
Vardinė galia	30 W – maks. 230 W
Oro drėkinimo galingumas	Min. 250 ml/h – maks. 800 ml/h
Ventiliatoriaus galia (CADR)	220 m ³ /h
Aktyvaus deguonies	<0,05 milijonų
Garso lygis	Tylus ventiliatorius < 25 dB(A)
Matmenys	260 x 260 x 508 mm
Svoris	5,0 kg
Vandens bakelis	8,0 l
Spalva	Balta su tamsinto stiklo vandens bakeliu

Specifikacijos CA-808 Smart

Modelis	CA-808 Smart
Tinka patalpoms iki	80 m ² / 200 m ³ / 856 kvadratinių pėdų
Vardinė įtampa	100–240 V, 50 / 60 Hz
Vardinė galia	30 W – maks. 230 W
Oro drėkinimo galingumas	Min. 300 ml/h – maks. 1000 ml/h
Ventiliatoriaus galia (CADR)	220 m ³ /h
Aktyvaus deguonies	<0,05 milijonų
Garso lygis	Tylus ventiliatorius < 25 dB(A)
Matmenys	260 x 260 x 508 mm
Svoris	5,0 kg
Vandens bakelis	8,0 l
Spalva	Balta su tamsinto stiklo vandens bakeliu

Atitinka ES reglamentus CE, WEEE, RoHS

Naujausios informacijos apie pakuotės ir prietaiso šalinimą teiraukitės pardavėjo ar savivaldybės.



Klientų aptarnavimas

„Clean Air Optima®“ drėkintuvo ir oro valytuvus CA-806 Smart/ CA-808 Smart garantinis sertifikatas.

Pirkimo data:
Kliento vardas, pavardė:
Adresas:
Telefonas:
El. paštas:
Pardavėjo pavadinimas:
Adresas:

1. Užpildykite visą šį garantinį pažymėjimą. Nusiųskite jį savo platintojui kartu su sąskaita faktūra ir prietaisu originalioje pakuotėje, iš anksto apmokėję siuntimo išlaidas. Nepamirškite prie siuntos pridėti gražinimo pašto išlaidų kvito.

2. Trumpai aprašykite pažeidimą, triktį ar gedimą, taip pat aplinkybes, kaip ši problema iškilo.

Prieš išsiunčiant iš gamyklos, **Clean Air Optima® drėkintuvus ir oro valytuvus CA-806 Smart/ CA-808 Smart** pereina griežtas patikrinimo procedūras. Jei per dvejus metus nuo pirkimo datos dėl gamybos defektų gaminio veikimas ima nebeatitikti specifikacijų, šį garantinį pažymėjimą pateikęs pirkėjas turi teisę į nemokamą remontą ar dalių keitimą (su sąlyga, kad veikimo triktis arba prietaiso ir (arba) jo dalių gedimas įvyko įprastomis naudojimo sąlygomis). Garantija taikoma: visoms dalims, kurioms nustatyti medžiagų ar gamybos defektai. Trukmė: dveji metai nuo pirkimo datos. Ką padarysime: sutaisysime arba pakeisime dalis su defektais.

Kitos sąlygos

Ši garantija pakeičia bet kokias kitas pareikštas ar numanomas rašytines arba žodines garantijas, įskaitant garantiją dėl tinkamumo prekybai ar konkrečiam tikslui. Maksimalūs gamintojo įsipareigojimai neviršys faktinės gaminio kainos, kurią už jį sumokėjote. Gamintojas jokių atveju nebus atsakingas už specialiuosius, atsitiktinius, netiesioginius ar kaip pasekmę kilusius nuostolius. Ši garantija netaikoma defektams, atsiradusiems dėl netinkamo ar nepagrįsto naudojimo arba priežiūros, netinkamo surinkimo, nelaimingų atsitikimų, stichinių nelaimių, netinkamo pakavimo ar neleistino manipuliavimo prietaisu, taip pat dėl jo keitimo ar modifikavimo, kaip nustatome vien savo nuožiūra. Jei etiketė su serijos numeriu pašalinama ar sugadinama, ši garantija anuliuojama.

Jokiu būdu nedėkite gryną eterinių aliejų ar kitų priedų į vandens bakelį ar vandens dubenį! Netgi dėl mažo kiekio gali būti pažeistas plastikas ir atsirasti įtrūkimų.

Dėkojame, kad perskaitėte!



Pasidalykite savo mintimis apie „Clean Air Optima®“ drėkintuvą ir oro valytuvą „CA-806 Smart/ CA-808 Smart“ adresu: www.cleanairoptima.com



Dažnai užduodamus klausimus apie „CA-806 Smart/ CA-808 Smart“ rasite svetainėje www.cleanairoptima.com ieškodami „CA-806 Smart/ CA-808 Smart“.



Atsisiųskite instrukcijas PDF formatu svetainėje: www.cleanairoptima.com/info/manuals



Visus „Clean Air Optima®“ animuotus vaizdo įrašus apie produktus galite peržiūrėti svetainėje www.youtube.com

Clean Air Optima International B.V. | Rientjesoven 26 | 7621 HG Borne
Nyderlandai | Telefonas: +31 (0) 74 - 2670145

„Clean Air Optima Germany GmbH“ | Enschedestraße 14 | 48529 Nordhorn
Vokietijoje | Telefonas: +49 (0) 5921 879-121

El. paštas: info@cleanairoptima.com

Interneto svetainė: www.cleanairoptima.com

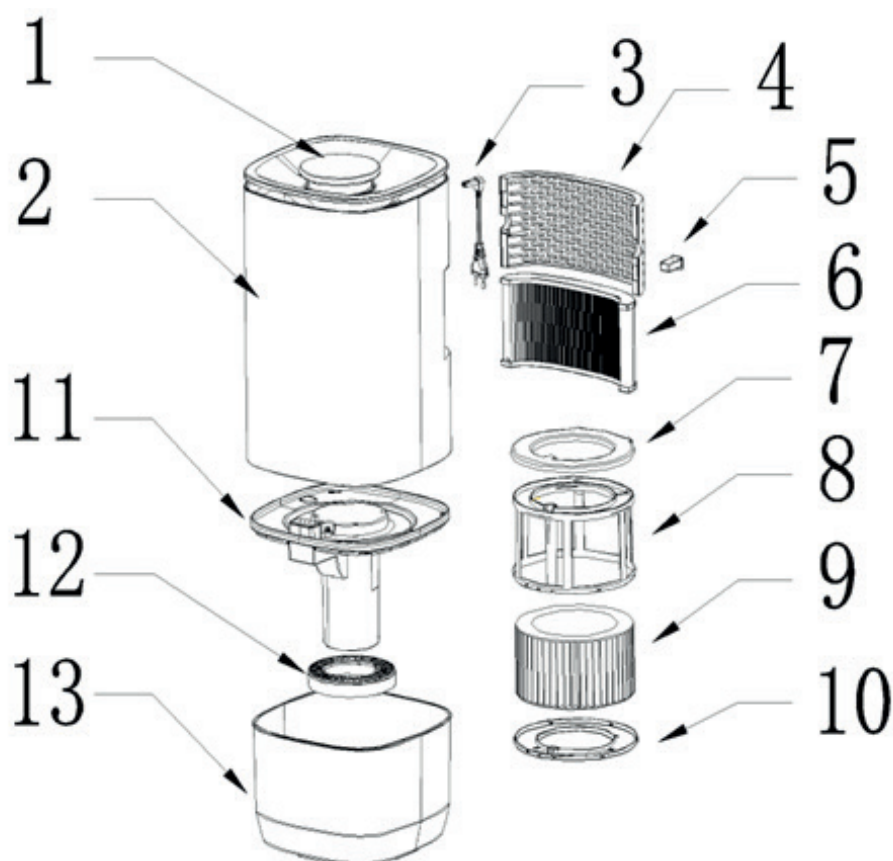
Eesti

Täname teid Clean Air Optima[®] aurustava õhuniisutaja ja õhupuhasti CA-806 Smart/ CA-808 Smart ostmise eest.

Loodame, et see tõhus ja energiasäästlik toode varustab teid palju aastaid tervisliku siseõhuga.

Kasutamisel kehtivad ohutusnõuded on kirjas käesolevas juhendis. Nende eesmärk on vältida kehavigastusi ja seadme kahjustamist.

CA-806 Smart/ CA-808 Smart Põhiüksus



Seadme kirjeldus

Seade koosneb järgmistest põhikomponentidest:

- | | |
|-------------------------------------|--------------------------------------|
| 1. Ekraani kate | 8. Veefiltri kronstein |
| 2. Korpus | 9. Veefilter |
| 3. Toitejuhe | 10. Veefiltri kronsteini alumine osa |
| 4. Õhuvõre | 11. Veepumba paigaldus |
| 5. Aroomikarp | 12. Harsi filter |
| 6. HEPA Filter | 13. Veepaak |
| 7. Veefiltri kronsteini ülemine osa | |

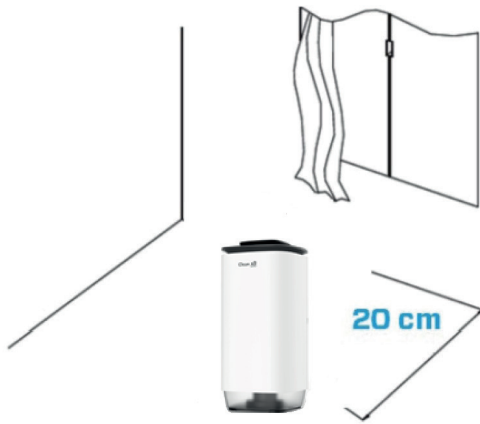
Ohutushoiatused

Seadet tohib kasutada ainult kooskõlas nende ohutusjuhistega. Järgmiste ohutusnõuete järgimine on vajalik, et vältida kehavigastusi, näiteks elektrilöögi või põlengu tulemusel.

1. Kasutamiseks ainult siseruumis. Seadme kasutamine või hoiustamine välistingimustes on keelatud.
2. Kasutage õiget pinget: 220 V-240 V, 50/60Hz
3. Seda seadet võivad kasutada lapsed alates 8. eluaastast ja isikud, kellel on vähenenud füüsilised, sensoorsed või vaimsed võimed või kellel puuduvad kogemused ja teadmised siis, kui neid on jälgitud või juhendatud seadme ohutu kasutamise osas ja nad mõistavad sellega seotud ohte. Lapsed ei tohi seadmega mängida. Lapsed EI tohi ilma järelevalveta teostada puhastus- ja hooldustöid.
4. Enne vee lisamist peate seadme välja lülitama.
5. Veenduge, et seade töötaks alati täidetud veepaagiga.
6. Ärge jätke veepaaki vett, kui seadet ei kasutata.
7. Hoiatus: Seadme kasutamise või hoiustamise keskkonnas võib vees esineda mikroorganisme. Kui vett regulaarselt ei vahetata või akvaariumi ei puhastata iga 3 päeva tagant, võivad need mikroobid akvaariumis vohada ja õhku aurustuda, mis võib põhjustada tõsiseid terviseprobleeme.
8. Vaheta vett iga 3 päeva tagant.
9. Seadme töötamise ajal on õhu sisse- ja väljalaskeavade katmine millegagi rangelt keelatud.
10. Seadme ohutuks kasutamiseks asetage see kindlasse horisontaalasendisse. Ärge liigutage seadet kasutamise ajal.
11. Seadet ei tohi paigutada arvutitele, teleritele, raadiotele ega muudele elektroonikaseadmetele lähemale kui 1 meeter, sest muidu juhul võib see nende talitlust häirida ja neid kahjustada.
12. Ärge kasutage seadet, kui toitekaabel või seade ise on nähtavalt kahjustatud. Ärge üritage kahjustatud seadet ise remontida. Seadet ei tohi kunagi toitekaablist tõmmata. Kui toitekaabel on vigastatud, peab selle välja vahetama volitatud hooldustehnik, sest vastasel juhul võib tulemuseks olla elektrilöök või põleng.
13. Remonditöid tohivad teha ainult volitatud hooldustöötajad. Elektrilöögi või põlengu ennetamiseks ärge üritage seadet ise remontida.
14. Eemaldage alati pistik stepslist, kui seadet ei kasutata või kui te puhastate selle sisemisi või välimisi osi.
15. Enne seadme liigutamist eemaldage veepaak.
16. Kasutage ainult seadme komplekti kuuluvaid toitekaableid.
17. Ärge kasutage seadet ruumis, kus hoitakse kergestisüttivaid vedelikke või gaase, soojusallikate läheduses ega niiskes ruumis, näiteks vannitoas, duširuumis või ujulas.
18. Tõrgete vältimiseks ärge kunagi pange seadmesse võõrkehi.
19. Ärge kunagi demonteerige või asendage seadme siseosi.
20. Värvimuutuste vältimiseks ärge asetage seadet otsese päikesevalguse kätte.
21. Ärge kunagi kastke seadet vette või muudesse vedelikesse.
22. Ärge puudutage toitejuhet märgade kätega.
23. Enne seadme hoiulepanemist puhastage ja kuivatage see (muu hulgas eemaldage seadme sisemusest kogu vesi). Hoidke seadet jahedas ja kuivas kohas laste käeulatuses väljas.
24. Ärge puhastage veeanumat, kui vesi on veel kuum.
25. Järgige seadme kasutamisel, hooldamisel ja puhastamisel käesoleva juhendi juhiseid.

Paigaldamine

Veenduge, et seade oleks seintest ja mööblist 20 cm eemal, vt allolevat joonist.



Eemaldage esmalt filtritelt tihend.



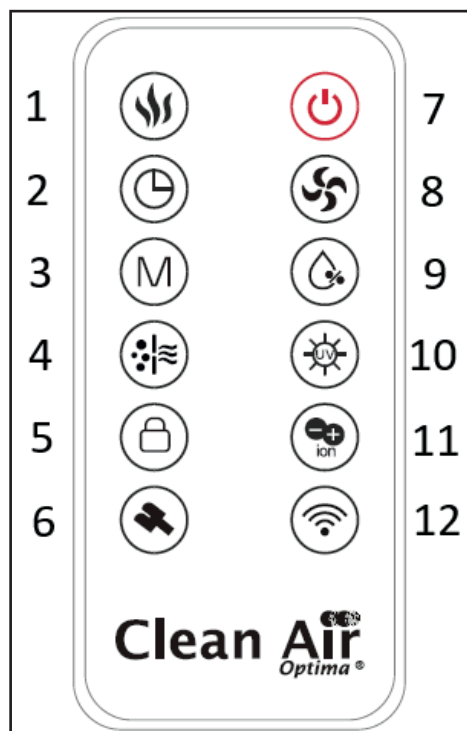
Eemaldage ekraanilt kaitsekile.



Kaugjuhtimispult

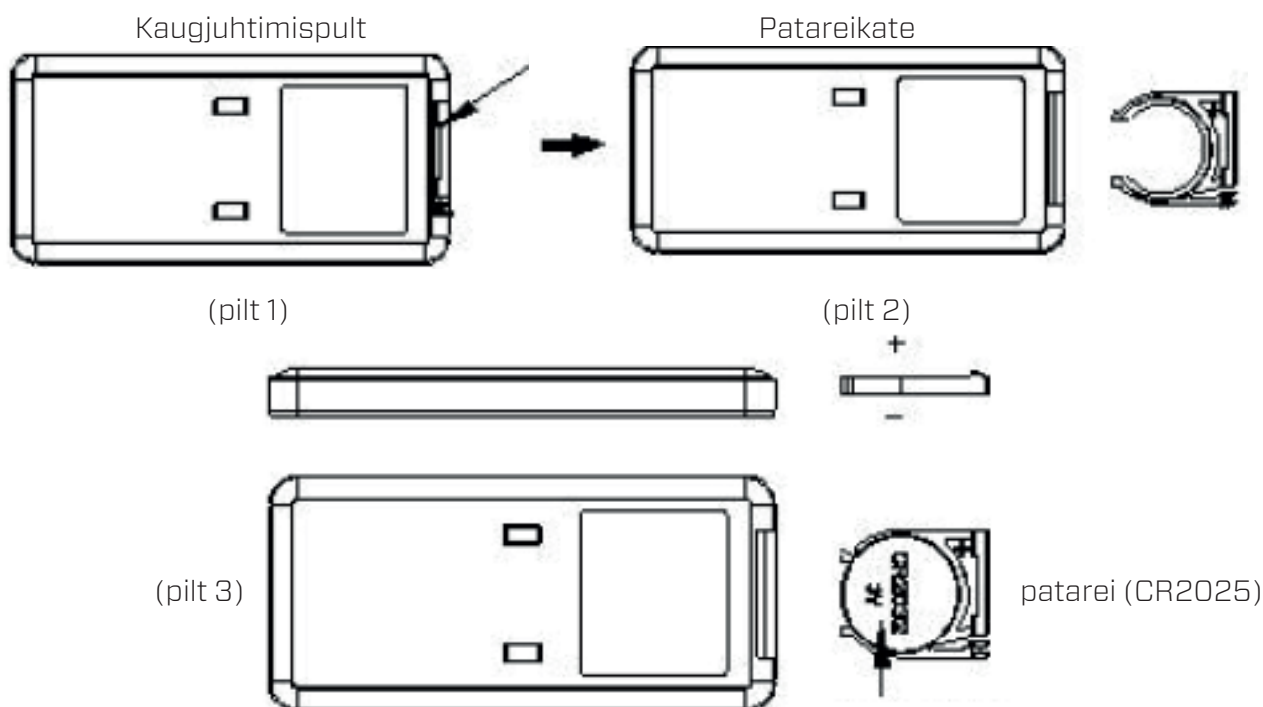
Teie kaugjuhtimispuldi nupud

1. Kütte-/puhastusrežiim
2. Taimer
3. Režiim
4. Õhupuhastus
5. Lapselukk
6. Puhastusrežiim
7. SEES / VÄLJAS
8. Udu tase
9. Niiskus
10. UV
11. Negatiivsed ioonid
12. WIFI



Kaugjuhtimispult

1. Patarei asetamiseks avage kaugjuhtimispuldi tagaküljel olev patareipesa kaas.
2. Patarei paigutamiseks: kaugjuhtimispuldi allosas on "turvasaak", mida tuleb esmalt paremale libistada ja seejärel patareihoidja välja tõmmata. (vt pilti 2). Sisestage aku õige polaarsusega. (vt pilti 3).
3. Lükake patareipesa kate tagasi kaugjuhtimispuldi sisse.



Kasutusjuhend

Enne alustamist eemaldage Clean Air Optima[®] CA-806 Smart/ CA-808 Smart karbist ja laske sellel vähemalt 30 minutit toatemperatuuril seista, eriti kui tõite selle tuppa külma õhu käest. Asetage seade kindlale tasasele veekindlale pinnale ja vähemalt 20 cm kaugusele seinast. CA-806 Smart & CA-808 Smart on mõeldud kasutamiseks temperatuurivahemikus 5-40 °C ja suhtelisel õhuniiskusel alla 85%.

Alustamiseks tõstke kerekorpus üles, kerekorpus on veepaagil lahti. Eemaldage veefilter veepumba korpusest. Eemaldage veepumba korpus veepaagist. Nüüd saate veepaagi täita veepaagi maksimumjooneni või valida, kas panna veepaaki vähem vett.

Tõstke korpuse korpus



Veepaagi kaas ja filter



Veekraan täitmiseks



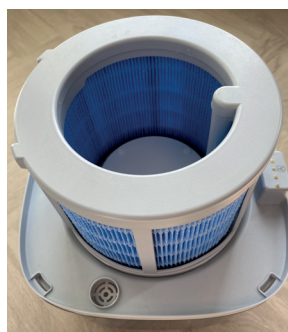
Seejärel pange veepaak täitmiseks **veekraani alla**. Täitke paak kraaniveega (või muu puhta veega, mille temperatuur on alla 40 °C) ning pange kaas ja filter tagasi.

Pealt täitmine. Veepaaki saab täita ka kastekannuga otse niisutaja ülaosast

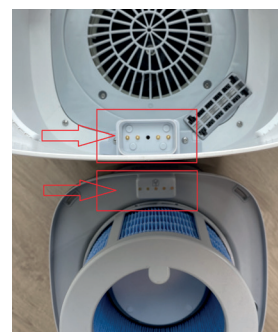
Pealt täitmine.



Joonis 1.



Joonis 2.



Vahetage veepaak ja filtrid välja (joonis 1.). Asetage veepaagi peale korpus ja lükake see üle filtri nii, et kokkupuutepunktid asetsevad üksteise vastu (joonis 2.).

Oodake mõni sekund, kuni vesi hakkab veepaagi kaanest veevanni voolama. Õhk siseneb veepaaki mullitamisheliga. Pange toitejuhtme pistik sobivasse pistikupessa; kõlab helisignaali, mis tähendab, et teie seade on ooterežiimil.



Toitenupp

Niisutaja aktiveerimiseks vajutage ooterežiimis toitenuppu:

- Kui veepaagis on vett, kostab piiksuv heli ja kogu seade lülitub töörežiimi: Masina algne käivitusolek: seade töötab kiirusel 3, UV-ikoon süttib, veepump hakkab tööle.
- Vajutage seda nuppu töörežiimis: seade lülitub õhukuivatusrežiimi ja pärast õhukuivatust ooterežiimi; masin on töörežiimis (välja arvatud juhul, kui lapseluku funktsioon on sisse lülitatud), vajutage õhukuivatusprogrammi sisenemiseks sisse/välja nuppu.

Õhukuivatusprotsess toimib järgmiselt:

- Masin töötab kiirusel 4, ikoon „PTC küte sees” süttib, teised digitaalsel ekraanil olevad ikoonid kustuvad; seade lülitub pärast õhukuivatusprogrammi 50-minutilist töötamist välja ja läheb ooterežiimi. (Märkus: Küttefunktsioon lülitub õhukuivatusprogrammi 45. minutil eelnevalt välja).
- Õhukuivatamise ajal vajutage sisse/välja nuppu, masin väljub õhukuivatamise režiimist ja läheb ooterežiimi.



UV-nupp/negatiivsete ionide nupp

Seade käivitus sisse lülitatud UV-lambiga. Väljalülitamiseks vajutage nuppu uuesti. Ionisaatori sisselülitamiseks hoidke nuppu 3 sekundit all. Ionisaatori väljalülitamiseks vajutage seda uuesti 3 sekundit.

UV-steriliseerimise funktsioon, mis hävitab udu väljundõhuvoolus olevad bakterid enne, kui udu ruumi siseneb.

Negatiivsete ionide nupu **Negative Ion** vajutamisel aktiveeritakse negatiivsete ionide generaator koguvõimsusega > 3 000 000 negatiivset iooni / cm³, mis levivad kogu ruumis ning seega neutraliseerivad saasteaineid ja lõhnu. Negatiivsed ioonid kinnituvad õhus olevate tolmuosakeste, mikroorganismide ja muude soovimatute osakeste külge ning ühendavad need üksteisega. Nii muutuvad osakesed õhust raskemaks ja langevad maha, nii et te ei saa neid enam sisse hingata.

Negatiivseid ioone leidub enim metsas, mägedes ja mere ääres. Negatiivsed ioonid tagavad värsket ja tervislikku õhu.



Niisutamisevõimsuse nupp

Nupu **Humidity** vajutamisel saate valida soovitud õhuniiskuse taseme, vajutades seda nuppu korduvalt, kuni kuvatakse soovitud õhuniiskuse tase (30% kuni 80% sammuga 5%). Kui kuvatakse soovitud õhuniiskuse taset, siis ärge vajutage nuppu rohkem, misjärel õhuniiskuse tase salvestub.

Pärast seadistamist vilgub ekraan üks kord sekundis ja seejärel kolm korda pidevalt, et näidata praegust seatud väärtust. Pärast vilkumist kuvatakse praegune õhuniiskus, mille kuvamisvahemik on 20–90%.

Kiirus ei muutu esimese 2 minuti jooksul pärast seda, kui seade lülitub konstantse niiskuse režiimi. 2 minuti pärast töötab ventilaator järgmise graafiku kohaselt:

1. Kui niiskustase saavutab või ületab seatud niiskustaseme, lõpetab seade niisutamise ja ventilaator töötab kiirusel 1;

2. Kui tegelik niiskustase on madalam kui seatud niiskustase „2%“, seade jätkab niisutamist kiirusel 2;
3. Kui tegelik niiskustase on madalam kui seatud niiskustase „4%“, seade jätkab niisutamist kiirusel 3;
4. Kui tegelik niiskustase on madalam kui seatud niiskustase „6%“, seade jätkab niisutamist kiirusel 4.

Märkus. Kui kiirust konstantse niiskuse režiimi ajal muudetakse, töötab seade 2 minutit seatud kiirusel ja kordab seejärel ülaltoodud protseduuri 2 minuti pärast.

Vajutage nuppu „Niiskus“, masin kuvab praeguse niiskuse seadistusväärtuse, seejärel vajutage uuesti nuppu „Niiskus“, et niiskuse väärtust vastavalt reguleerida.



Režiiminupp/WIFI-nupp

Kui vajutate režiiminuppu esimest korda, süttib ikoon „Automaatrežiim“ ja vilgub seejärel kolm korda enne automaatrežiimi aktiveerimist. Režiiminupu teistkordne vajutamine kolme sekundi jooksul lülitab seadme terviserežiimi. Seejärel vilgub ikoon „Terviserežiim“ kolm korda enne terviserežiimi aktiveerimist. Ja nii edasi.

Režiiminuppude vaheldumise järjekord on järgmine: automaatrežiim -> terviserežiim -> unerežiim -> seadeid pole -> automaatrežiim.

Automaatrežiim

Pärast automaatrežiimi sisenemist seatakse õhuniiskus 68%-le ja udu maht niisutatakse 5 minutit 4. tasemel. 5 minuti pärast reguleeritakse udu maht vastavalt järgmistele nõuetele: Kui õhuniiskuse väärtus on alla 60%, töötab udu maht 4 tasemel; kui õhuniiskuse väärtus on vahemikus 60% kuni 63%, töötab udu maht 3 tasemel; kui õhuniiskuse väärtus on vahemikus 64% kuni 68%, töötab udu maht 2 tasemel; kui õhuniiskuse väärtus ületab 68%, töötab see 1 tasemel.

Režiim Health (Tervis)

Vajutage režiiminuppu teist korda. „Tervisliku režiimi“ ikoon vilgub kolm korda sekundis, seejärel aktiveerib tervisliku režiimi.

Pärast tervisliku režiimi aktiveerimist süttib digitaalsel nupul „Tervisliku režiimi“ ikoon; negatiivsed ioonid ja UV-valgus lülituvad sisse ning seade töötab 3. tasemel.

Pärast tervisliku režiimi aktiveerimist tuvastab seade automaatselt optimaalse õhuniiskuse taseme ümbritseva õhu temperatuuri põhjal ja suurendab niiskuse seadistust 5% võrra tuvastatud väärtuse põhjal. Näiteks kui tuvastatud väärtus on 45%, on seatud õhuniiskus 50% jne.

Kui seade saavutab seatud õhuniiskuse või ületab selle, töötab ventilaator 1. tasemel. Kui õhuniiskus langeb alla seatud õhuniiskuse „2%“, naaseb seade 3. tasemele.

Unerežiim:

Vajutage režiiminuppu kolmandat korda. „Unerežiimi“ ikoon vilgub kolm korda sekundis ja unerežiim aktiveeritakse:

1. Funktsioonid, mis olid enne seadme unerežiimi minekut lubatud (sh UV, ajastus ja negatiivsed ioonid), unerežiimist ei sõltu.
2. 10 sekundi pärast, kui seade läheb unerežiimi, lülitub ekraan välja (välja arvatud une režiimi ikoon) ja seade töötab 75% kiirusel udu tasemel 1.

Kui seade tuvastab unerežiimi ajal, et veepaak on tühi, jääb „Veepuuduse“ ikoon põlema, helisignaali ei tööta ja seade lülitub ooterežiimi.

Wi-Fi-ühendus:

Vajutage ja hoidke „Režiim/Wi-Fi” nuppu 3 sekundit all. Seade lülitub WiFi sidumise olekusse ja WiFi ikoon vilgub edasi, kuni seade on edukalt sidunud. Vajutage ja hoidke uuesti 3 sekundit all nuppu „Režiim/Wi-Fi”. Helisignaali saab ühe korda, seade väljub WiFi sidumisest ja WiFi ikoon kustub.



Küttenupp Heating/ puhastusrežiimi nupp:

Küttefunktsiooni aktiveerimine nupu „Küte“ vajutamisega. Küte tagab veefiltri kiire ja tõhusa kuivamise.

Pärast küttefunktsiooni sisselülitamist töötab seade 4. seadistusel. Kiirust ei saa reguleerida; see deaktiveerib küttefunktsiooni.

Funktsiooni deaktiveerimiseks vajutage uuesti nuppu „Küte/Puhastus“.

Vajutage ja hoidke all nuppu „Küte/Puhastus”. Seade väljub kütterežiimist „Küte/Puhastus” ja lülitub puhastusrežiimi .



Udutaseme nupp:

Seade jätkab niisutamist ja niiskustaset ei saa reguleerida. Seadme algne töörežiim on tase 3. Seadmel on 4 taset. Skaalal soovitud taseme saavutamiseks vajutage iga kord nuppu. Udutaseme järjestus on: 3-> 4-> 1-> 2-> 3-> 4-> 1-> 2-> 3...ja nii edasi.

Veepump töötab esimesed 2 minutit pidevalt;

2 minuti pärast peatub veepump 3 minutiks ja töötab seejärel 15 sekundiks; seejärel peatub 3 minutiks ja töötab uuesti 15 sekundiks jne.



Õhupuhastus/ lapseluku nupp:

Õhupuhastusrežiimi käivitamiseks vajutage nuppu „Õhupuhastus/Lapselukk”. Veepump lülitub välja ja seade lõpetab niiskuse kuvamise. Süttib PM2.5 ikoon, mis näitab praegust õhukvaliteeti. Niisutusrežiimi naasmiseks vajutage uuesti.

Vajutage nuppu „Õhupuhastus/Lapselukk” 3 sekundit all; masina lapseluku sisselülitamise ikoon süttib. Vajutage nuppu „Õhupuhastus/Lapselukk” veel 3 sekundit all; masina lapseluku väljalülitamise ikoon kustub.



Taimerinupp TIMER

Taimerinupu **Timer** vajutamisel saate seadistada taimeri. Taimer loeb maha aega õhuniisutaja automaatse väljalülitumiseni. Taimeri seadistamiseks vajutage seda nii mitu korda, kui mitu tundi seade peaks töötama. Taimeri saab seadistada 1–12 tunniks. Taimer loeb seadistatud aega maha; kui näiduks saab 00:00, lülitub seade välja.

Puhastamine pärast 72 töötundi:

1. Kui seade on 72 tundi töötanud, kuvatakse ekraanil tekst „72 hours” ja see vilgub edasi, kuni puhastusaeg lähtestatakse.
2. Vajutage pikalt nuppu „Küte/Puhasta”. Seade väljub niiskusrežiimist ja lülitub puhastusrežiimi.

3. Puhastage veepaak (soovitus).
4. Puhastusteate „72 hours” väljalülitamiseks vajutage ja hoidke sisse/välja nuppu 2 sekundit all. Ekraanile kuvatakse tekst „00 hours” ja see vilgub 3 korda. Seejärel kuvatakse ekraanil õhuniiskus.
5. Kui seade pole veel 72 tundi töötanud, saate puhastusrežiimi lähtestada, vajutades sisse/välja nuppu 2 sekundit all, et lähtestada seadme aeg väärtusele 0 ja see uuesti arvutada. Niiskuse ikoonile kuvatakse tekst „00H” ja see vilgub 3 korda. Tavaline kuvamisolek taastatakse.

Kui unerežiim on lubatud, ei kuvata puhastusjuhiseid. Unerežiimist väljumisel kuvatakse puhastusjuhiseid.

Niiskuse kuva:

Kui õhuniiskus on alla 45%, helendab veepaagi tuli oranžilt; kui õhuniiskus on vahemikus 45% kuni 60%, helendab tuli siniselt; kui õhuniiskus on üle 60%, helendab tuli valgelt. Kuvatava väärtusena kasutatakse keskmist väärtust.



Veepuuduse hoiatus:

Kui seade tuvastab veepaagi tühjenemise, lülitub see kütte-kuivatussüsteemile ja veepuuduse režiimile. Veepuuduse korral vilguvad veetaseme indikaatortuli ja värvilise veepaagi tuli kolm korda punaselt ja piiksuvad kolm korda. Seejärel aktiveerige „sooja udu“ kütte- ja kuivatussüsteem ning 30 minuti pärast lülitage seade ooterežiimi.

Või vajutage seadme väljalülitamiseks sisse/välja nuppu ja täitke veepaak.

Pärast veepaagi täitmist kustuvad veetaseme indikaatortuli ja värvilise veepaagi tuli ning seade lülitub ooterežiimi.

Veetaseme kirjeldus:

Veepaagi skaalad on: täis vesi, veepuudus.

1. Madal vesi: Kui veepump tuvastab püsiva veepuuduse 10 sekundi jooksul, lülitub seade madala veetaseme olekusse.
2. Veepaagi täitmine: Lisage vett iga kord, kui seade sisse või välja lülitatakse. Kui veepaak on täis, vilgub digitaalne ekraan 5 korda ja kostab 5 korda helisignaali. Ekraanile ilmub FUL.

Veenduge, et veepaak oleks alati täielikult täidetud.

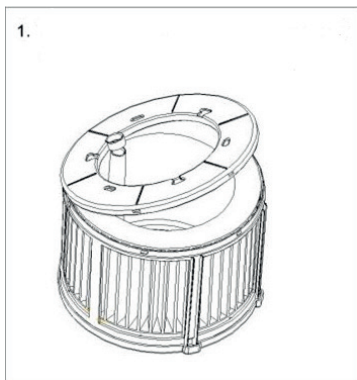
Puhastamine ja hooldus

Veefiltri puhastamine

Mõnes piirkonnas on vee kvaliteet halb. Pikaajalise kasutamise korral võib veefiltri pinnale koguneda katlakivi või tolmu. Võite veefiltri lahti võtta ja puhta veega loputada. Tavapärase kasutamise korral on soovitatav veefiltrit iga kuue kuu tagant vahetada.

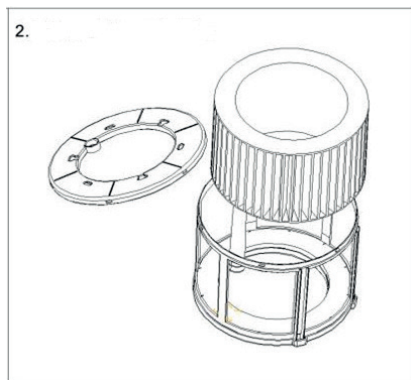
Eemaldage veefilter seadmest ja võtke lahti selle põhi.

1.



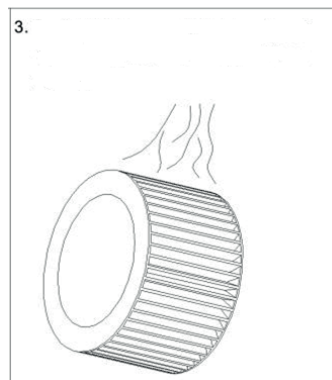
Eemaldage veefilter.

2.



Loputage veefiltri pinnalt mustus kraaniveega maha ja pange see uuesti kokku. Pange see tagasi seadmesse.

3.



Harsi filtri puhastamine

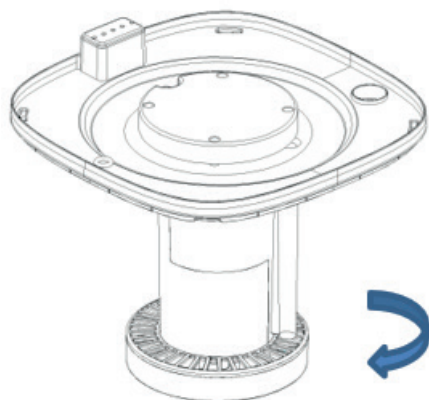
Mõnes piirkonnas on vee kvaliteet halb. Pikaajalise kasutamise järel võib Harsi filtri pinnale koguneda katlakivi või tolmu. Harsi filtri saab lahti võtta ja puhta veega loputada. Tavapärase kasutamise korral on soovitatav veefiltrit iga kuue kuu tagant vahetada.

Tõstke veepaagi vaheseina üles, keerake veepehmedajat päripäeva ja tõmmake veepehmedaja otse välja, kui pannal on lahti (pilt 1).

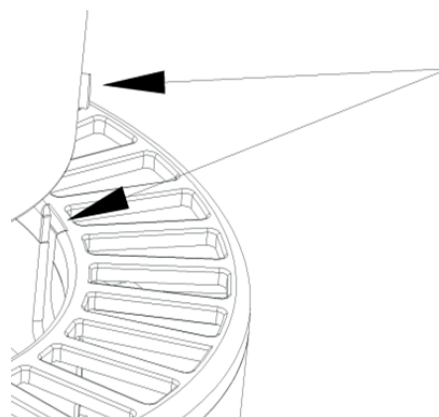
Loputage vaigufiltri pinnalt mustus kraaniveega maha ja pange see uuesti kokku.

Joonistage ja sisestage joonisel noolega näidatud avad ning seejärel keerake veepehmedajat vastupäeva, kuni pannal on tunda (pilt 2).

Pilt 1.



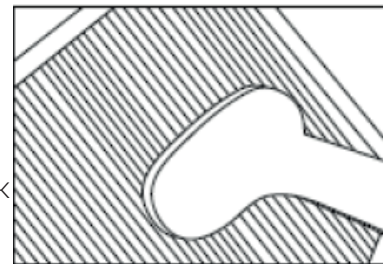
Pilt 2.



HEPA H13 filtri puhastamine

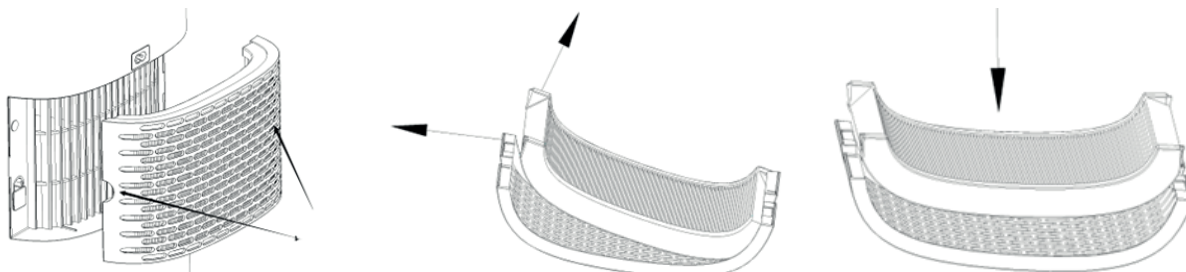
Efektiveimaks õhupuhastamiseks on soovitatav puhastada filtreid kord kuus. Kui siseõhk on väga saastunud, võib olla vaja puhastada sagedamini.

Puhastage **eelfilter** ja **HEPA-filtri** harja või tolmuimejaga. Eesmärk on eemaldada filtri välispinnalt suuremad mustuseosakesed, näiteks riidekiud ning loomade karvad ja nahatolm.



Hoiatus! Liitfiltreid (**HEPA + aktiivsöega filter**) ei tohi veega märjaks teha ega loputada.

Võtke filtriid filtriraami sahtlist välja. Pärast filtri vahetamist või puhastamist paigaldage filtriid tagasi filtriraami sahtlisse ja pange need koostuna seadme külge, vt allolevat joonist.



Filtriite vahetamise vajaduse tundemärgid

Suurenenud müratase, vähenenud õhuvool ja tugevnenud lõhn. HEPA-filtri tuleb uuuga asendada, kui selle värv muutub valgest halliks või mustaks. Valget HEPA-filtriit EI OLE vaja vahetada.

Filtriite tellimine:

võtke ühendust Clean Air Optima klienditeenindusega telefonil + 31 (0) 742670145 või külastage meie e-poodi: <https://www.cleanairoptima.com/-accessoires>

Õhupuhasti välispinna puhastamine



1. Lülitage seade välja ja tõmmake pistik pistikupesast.
2. Puhastage seade tolmust ja mustusest niiske pehme lapiga.
3. Vesi **ei tohi** sattuda seadme sisemusse.

Puhastage kontaktpunkte.

Puhastage kontaktpunkte regulaarselt puhta ja kuiva lapiga.



Filtrite vahetamine

Clean Air Optima CA-806 Smart / CA-808 Smart on varustatud filtri eluea jälgimismehhanismiga, mis annab märku, et filtrid (HEPA H13, veefilter, vaigufilter ja Silverion) tuleb välja vahetada pärast 1000 töötundi. Nende filtrite vahetamise vajaduse näitamiseks süttib seadmes topeltnulliga  märgutuli. Filtrite taimeri lähtestamiseks vajutage ja hoidke umbes 4 sekundit all nuppu udutaseme . Kui märgutuli kustub, on taimer edukalt lähtestatud.

Sõltuvalt kasutusest on filtrite eluiga umbes 3–6 kuud. UV-C lamp on püsiv ja vahetamist pole vaja.

Võtke filtrid filtriraami sektsioonist välja. Pärast filtri vahetamist või puhastamist paigaldage filtrid tagasi filtriraami sektsiooni ja pange need seadmesse kokku, vt peatükki “Puhastamine ja hooldus”.

Clean Air Optima® Silver Ion SI-01 paigaldamine/asendamine

Silver Ion SI-01 kasutab hõbeda antimikroobset toimet, takistab bakterite kasvu ja lõhnab vees. **Silver Ion SI-01** töötab isegi siis, kui teie niisutaja on välja lülitatud, nii et vesi püsib värske. Asendage **Silver Ion SI-01** niisutaja hooaja alguses või asendage **Silver Ion SI-01** pärast üheaastast kasutamist.

Silver Ion SI-01 asendamine:

Alustamiseks tõstke kerekorpus üles, kerekorpus on veepaagil lahti. Eemaldage veefilter veepumba korpusest. Eemaldage veepumba korpus veepaagist.

Tõstke korpuse korpus



Veepaagi kaas ja filter



Silver Ion SI-01



1. Võtke välja kasutatud **Silver Ion SI-01**.
2. Sisestage uus **Silver Ion SI-01**.

Visake **Silver Ion SI-01** ära koos tavaliste olmejäätmetega.

Silver Ion SI-01 ei tohi kasutada kauem kui ette nähtud.

Silver Ion SI-01 saate tellida meie veebipoest aadressil www.cleanairoptima.com

Clean Air Optima[®] õhukuivati/ õhupuhasti hoiustamine

Kui õhukuivatit/õhupuhastit pikemat aega ei kasutata:

1. Kõigepealt tühjendage ja kuivatage veepaak.
2. Käivitage õhukuivatusprogramm (vt jaotist „Toitenupp”).
3. Eemaldage seade vooluvõrgust ja kerige toitejuhe kokku.
4. Eemaldage ja puhastage filtrid. Pärast puhastamist pange filtrid tagasi.
5. Hoidke seadet jahedas ja kuivas kohas, eemal otsesest päikesevalgusest, äärmuslikest temperatuuridest ja liigsest tolmust.
5. Kui seadet pikemat aega ei kasutata, on kõige parem panna sellele kaitsekate, et vältida tolmu kogunemist. See võib tulevikus põhjustada probleeme puhastamise ja hooldamisega.

Veepaagi puhastamine

Veepaagis tuleb vett regulaarselt vahetada. Vesi ei tohi olla veepaagis kauem kui 3 päeva.

- Pange tähele, et kõrge õhuniiskus võib soodustada bioloogiliste organismide kasvu keskkonnas.
- Ärge laske õhuniisutaja ümbrusel saada niiskeks ega märjaks. Niiskuse ilmnemisel vähendage niisutaja võimsust. Kui niisutaja väljundvõimsust ei saa vähendada, kasutage niisutajat perioodiliselt. Ärge laske imavatel materjalidel, nagu vaipkatted, kardinad, kardinad või laudlinad, märjaks saada.
- Täitmise ja puhastamise ajaks tõmmake pistik pistikupesast välja.
- Ärge kunagi jätke vett paaki, kui seadet ei kasutata.
- Tühjendage ja puhastage niisutaja enne ladustamist. Puhastage niisutaja enne järgmist kasutamist.
- Puhastage veepaagi sisemust pehme pesuvahendiga ja loputage puhta veega.

Hoiatus: Vees või seadme kasutuskeskkonnas esineda võivad mikroorganismid võivad veepaagis kasvada ja õhku paiskuda. See võib põhjustada terviseriske, kui vett ei vahetata ja paaki korralikult iga 3 päeva tagant ei puhastata.



Rakenduse Clean Air Optima[®] kasutamine

Ühenduvus

Ühilduvus nutitelefoniga ja tahvelarvutiga:



iPhone'i, iPadi ja Androidi seadmed

Seade ühendub WiFi kaudu rakendusega:

CleanAirOptima

Tähelepanu! Ruuter peab olema seatud 2,4 GHz lairibale. Kui ruuter on seatud 5,0 GHz peale, ei ole võimalik ühendust luua.

Seadistage WiFi-ühendus

1. Laadige alla ja installige rakendus „CleanAirOptima“ App Store 'ist või Google Play Store' ist.
2. Looge konto ja logige sisse.
3. Ruuter peab olema seatud 2,4 GHz lairibale. Kui ruuter on seatud 5,0 GHz peale, ei saa ühendust luua.
4. Veenduge, et Bluetooth oleks nutitefonis lubatud.
5. Ühendage seade pistikupessa ja lülitage see sisse. WiFi indikaator hakkab vilkuma. Jei WiFi lempiirksi, „REŽIIM/ WIFI“ kinnitage 5 sekundit. Tada kiiresti mires WiFi lempite. Teie WiFi-d on lihtne kasutada ja olete sellega rahul.
6. Veenduge, et teie nutitefon või tahvelarvuti on edukalt WiFi-võrguga ühendatud.
7. Avage rakendus CleanAirOptima ja klõpsake suvandit Lisa seade . Teie seade on loendis ja saate selle valida. Kui mitte, valige Auto Scan (Automaatne skannimine). Seadme võrguga ühendamiseks järgige ekraanil kuvatavaid juhiseid.
8. Valige rakenduse Clean Air Optima[®] seadme lisamine, järgige rakenduse juhiseid.
9. Kui seade on seotud, jääb WiFi märgutuli  pidevalt põlema.
10. Kui configureerimine on edukas, saate seadme juhtimiseks kasutada rakendust Clean Air Optima[®].

Märkus.

- Kui teie vaikevõrk on muutunud, lähtestage WiFi-ühendus, järgides juhiseid 1-10 jaotises „WiFi-ühenduse seadistamine“.
- Kui soovite siduda nutitelefoni või tahvelarvutiga mitu seadet, peate seda tegema üksteise järel.
- Veenduge, et nutitelefoni või tahvelarvuti ja seadme vaheline kaugus on alla 5 meetri ja takistusi ei ole. Samuti veenduge, et olete seadmega samas ruumis.

Lähtestage WiFi-funktsioon:

- seade tuleb välja lülitada;
- lähtestage WiFi, vajutades 5 sekundit nuppu „REŽIIM/ WIFI“, WiFi märgutuli vilgub kiiresti.



Lülitage WiFi-funktsioon välja:

- lähtestage WiFi, vajutades 5 sekundit nuppu „Mode“ (Režiim), WiFi märgutuli vilgub kiiresti.
- lülitage WiFi välja, vajutades veel 5 sekundit nuppu Mode, WiFi märgutuli kustub.

Seadmete ühendamine mitme telefoniga

Märkus. Esmalt peab teine inimene oma telefoni installima Clean Air Optima[®] rakenduse ja looma uue konto.

Jagage seadet piiratud juurdepääsuga.

Saate valida 1 seadme jagamise mitme inimesega.

Sellel inimesel on seejärel juurdepääs, kuid ta ei saa kõiki seadeid hallata.

Seadme jagamiseks mitme inimesega järgige allolevaid juhiseid.

1. Minge vastava seadme juurde.
2. Minge paremas ülannurgas oleva pliiatsi või kolme punkti juurde.
3. Valige „Jaga seadet“.
4. Valige „Lisa jagamine“.
5. Valige jagamise viis nt e-posti, whatsappi, sms-i vms kaudu ja jätkake.
6. Seade ilmub Clean Air Optima[®] rakenduses automaatselt koos teise kontoga.

Jagage seadet täieliku juurdepääsuga.

Saate oma kodujuhtimisse lisada ühe inimese või mitu inimest.

Sellel inimesel on seejärel juurdepääs kõigile teie seadmetele, mis on juba lingitud ning tal on kõik õigused ja load. Jäätte alati peadministraatoriks.

Järgige allolevaid juhiseid, et lisada keegi oma kodujuhtimisse.

1. Avage Clean Air Optima[®] rakendus ja minge jaotisesse „Mina“.
2. Seejärel valige „Kodujuhtimine“.
3. Valige „Loo kodu“.
4. Valige vastav „Kodu“ ja „Lisa liige“.
5. Valige jagamise viis nt e-posti, whatsappi, sms-i vms kaudu ja jätkake.
6. Vastav „Kodu“ kuvatakse automaatselt selle isiku Clean Air Optima[®] rakenduses, kellega te oma „Kodu“ jagasite.
7. Teisel kontol.

Minge Clean Air Optima[®] rakenduses avaekraanile. Minge üles vasakule ja valige „Kodu“.

Aroomiteraapia

Aroomifunktsiooni aktiveerimine

- Eemaldage aroomikarp hoidikust.
- Valage 5-10 tilka eeterlikku õli Clean Air Optima[®] käsnales.
- Pange aroomikarp hoidikusse tagasi.
- Kui lülitate oma õhuniisutaja sisse, aktiveeritakse aroomifunktsioon.
- Kui soovite aroomifunktsiooni desaktiveerida või kui seadet pikema aja jooksul ei kasutata, eemaldage aroomikäsna lahtrist ja peske seda vähese õrna seebi veega. Laske sellel enne aroomilahtrisse tagasipanemist täielikult kuivada. Aroomikäsna on põhimõtteliselt taaskasutatav.



Oluline

Selleks et saavutaksite parima tulemuse ja saaksite oma võimalikult palju nautida, soovime teil hoolikalt lugeda järgmisi juhiseid eeterlike õlide kasutamise kohta õhuniisutajas CA-806 Smart/ CA-808 Smart.

Eeterlike õlide kasutamine õhuniisutajas CA-806 Smart/ CA-808 Smart

Kasutage meie kvaliteetseid eeterlikke õlisid ja nautige kodust aroomiteraapiat!

Parimad aroomikogemused!

Meie valikust leiab kvaliteetseid paljude erinevate lõhnadega eeterlikke õlisid.

Need spetsiaalsed eeterlikud õlid sobivad täiuslikult õhuniisutajasse CA-806 Smart/ CA-808 Smart ning need on spetsiaalselt välja töötatud selles õhuniisutajas kasutamiseks.



Saate **aroomiõlisid** tellida meie internetipoest aadressil www.cleanairoptima.com

Hoiatus!

Muude eeterlike õlide või lisandite kasutamine (nt lõhnaained ja veepuhastustooted), mis ei ole selle õhuniisutaja jaoks loodud, võib seadet kahjustada ja neid EI tohi kasutada!

Ärge kunagi pange veepaaki või veevanni muid lisanditeta eeterlikke õlisid ega muid lisandeid! Isegi minimaalne kogus võib plastikut kahjustada ja pragusid põhjustada.

Materjal ei ole mõeldud lisandite kasutamiseks. Ühest tilgast piisab veepaagi/veevanni ja seadme kahjustamiseks. Lisandite tõttu tekkinud kahjustused ei kuulu garantii alla.

Puhastamine ja hooldamine

Selleks et teie õhuniisuti ja õhupuhasti **Clean Air Optima[®] CA-806 Smart/ CA-808 Smart** töötaks aastaid probleemideta, piisab sellest, kui järgite mõnda lihtsat hooldustoimingut. Kui vesi on kare ehk sisaldab palju kaltsiumit ja muid mineraalaineid, siis koguneb aja jooksul ruumi pindadele valget tolmu (katlakivi). Valge sete (katlakivi) tekib ka **veepaaki** ja veepaagi sisemusse. Katlakivi kahjustab **õhujahuti** nõuetekohast tööd ja seadme hügieenilist toimet.

Soovitame järgmist

1. Puhastage **veepaaki** kord nädalas, kui kasutate seadet iga päev, katlakivieemaldusvahendi abil **Clean Air Optima[®] Cleaner & Descaler**.
2. Kui veepaak tuleb täita, siis valage järelejäänud vesi paagist välja ja täitke see värske veega.
3. Enne seadme hoiulepanemist puhastage see ja laske kõigil osadel täielikult kuivada.



Välja töötatud spetsiaalselt **Clean Air Optima[®]** õhujahutite, niisutajate ja niiskusekuivatite jaoks:

- Mitteagressiivne
- Kaitseb õhujahuti, niisuti ja niiskusekuivati plast- ja keraamilisi materjale
- Neutraalse lõhnaga
- Puhastab ning eemaldab katlakivi kiirelt ja põhjalikult
- Biolagunev

Saate **Clean Air Optima[®]** puhasti ja katlakivieemaldi tellida meie internetipoest www.cleanairoptima.com.


Veaotsing



Järgmine veaotsingujuhend aitab lahendada õhuniisutaja ja õhupuhasti. **Clean Air Optima[®] CA-806 Smart/ CA-808 Smart** kasutamisel tekkida võivaid probleeme.

Probleem	Võimalik põhjus	Lahendamine
Udu ei pihustata.	Toitejuhe pole pistikupesas. Toitenupp pole aktiveeritud. Veepaak on tühi. Paagis pole piisavalt vett.	Ühendage seade vooluvõrku. Vajutage toitenuppu. Täitke paak veega. Täitke paak uuesti veega.
Udul on imelik lõhn.	Uus seade. Vesi on kas saastunud või liiga kaua seisnud.	Eemaldage veepaak, keerake kaas lahti ja laske paagil 12 tundi jahedas tuulduda. Puhastage veepaak ja täitke puhta veega.
Udujuga on liiga nõrk.	Veevannis ja anduril on liiga palju katlakivi. Vesi on saastunud või liiga kaua paagis seisnud.	Puhastage veekogu ja andurit järgmiselt: Clean Air Optima[®] puhasti ja katlakivieemaldiga. Puhastage veepaak ja täitke see uuesti puhta veega.
Seade tekitab müra.	Veepaak pole korralikult paigaldatud. Veepaagis pole piisavalt vett. Seade on ebastabiilsel pinnal.	Paigutage veepaak korralikult alusele. Valage veepaaki uuesti vett. Asetage seade kindlale horisontaalpinnale.
Pritsmed väljuvad uduotsaku ümbert.	Uduotsaku ja veepaagi pealispinna vahel on tühimikud.	Eemaldage uduotsak veepaagi pealt ja puhastage niiske lapiga. Kinnitage uuesti veepaagile.
Rakendusega Clean Air Optima[®] kasutamine ei toimi.	Nutitelefon või tahvelarvuti pole WiFi-võrguga ühendatud. Seadmel puudub võrguühendus.	Lülitage seade sisse ja lähtestage seadme WiFi, vajutades 5 sekundit nuppu Käsitsi, WiFi märgutuli vilgub. Kui järgite juhiseid 3-10 peatükis Kasutamine rakendusega Clean Air Optima[®].

Veotsing

Järgnev on veotsingu juhend, mis aitab teil lahendada **Clean Air Optima[®] õhuniisutaja ja õhupuhasti CA-806 Smart/CA-808 Smart** kasutamisel tekkida võivaid probleeme.

Probleem	Võimalik põhjus	Lahendus
Ekraanil kuvatakse topeltnull  .	Filtrid tuleb välja vahetada.	Filtri taimeril lähtestamiseks vajutage ja hoidke umbes 3 sekundit all nuppu MODE. Kui märgutuli kustub, on taimer edukalt lähtestatud.
Ekraanil kuvatakse 72H tundi.	Masin on töötanud 72 tundi ja seda tuleb puhastada. Puhastage veepaak. Vajutage pikalt nuppu „Heat/Clean“. Seade väljub režiimist „Humidity“ ja lülitub puhastusrežiimi.	Lähtestamiseks vajutage toitenuppu 3 sekundit.

Sümbolid	Tähendus
	See sümbol tähendab, et filtrit tuleb enne seadme käivitamist kontrollida ja vajadusel puhastada. Vahetage filtrit iga 2-3 kuu tagant.
	See sümbol tähendab, et veepaaki tuleb puhastada iga 3 päeva järel. Vahetage vett veepaagis iga 3 päeva tagant. Enne puhastamise alustamist eemaldage pistik pistikupesast.

Väga kareda (mineraalaineterikka) vee korral võib õhuniisutajast väljuda valget tolmu. Põhjuseks ei ole rike. Lahenduseks võib olla veefiltri sagedasem vahetamine või pehmema vee, näiteks destilleeritud vee kasutamine.

HOIATUS!

Kui ülal soovitatud lahendused ei tööta, helistage oma piirkonna Clean Air Optima tehnilise toe telefoninumbri. Ärge üritage seadet lahti võtta, uuesti kokku panna ega remontida, kuna sel juhul võib kaotada garantii kehtivuse.

Tootekirjeldused CA-806 Smart

Mudel	CA-806 Smart
Ruumidele suurusega kuni	60 m ² / 150 m ³ / 645 ft ²
Nimipinge	100 V - 240 V, 50/60 Hz
Nimivõimsus	30 W - kuni 230 W
Õhuniisutusvõimsus	Väh. 250 ml/h - kuni 800 ml/h
Ventilaatori jõudlus (CADR)	220 m ³ /h
Aktiivne hapnik	<0,05 ppm
Müratase	Vaikne ventilaator < 25 dB(A)
Mõõtmed	260 x 260 x 508 mm
Kaal	5,0 kg
Veepaak	8,0 l
Värv	Valge

Tootekirjeldused CA-808 Smart

Mudel	CA-808 Smart
Ruumidele suurusega kuni	80 m ² / 200 m ³ / 856 ft ²
Nimipinge	100 V - 240 V, 50/60 Hz
Nimivõimsus	30 W - kuni 230 W
Õhuniisutusvõimsus	Väh. 300 ml/h - kuni 1000 ml/h
Ventilaatori jõudlus (CADR)	220 m ³ /h
Aktiivne hapnik	<0,05 ppm
Müratase	Vaikne ventilaator < 25 dB(A)
Mõõtmed	260 x 260 x 508 mm
Kaal	5,0 kg
Veepaak	8,0 l
Värv	Valge

Vastab ELi määrustele CE / WEEE / RoHS

Pakendi ja seadme kõrvaldamise kohta küsige ajakohast teavet seadme müüjalt või kohalikust omavalitsusest.



Remont

Õhuniisutaja ja õhupuhasti Clean Air Optima® CA-806 Smart/ CA-808 Smart garantiitunnistus.

Ostmiskuupäev:
Kliendi nimi:
Aadress:
Telefon:
E-posti aadress:
Müüja nimi:
Aadress:

1. Täitke garantiitõendi kõik väljad. Saatke see koos ostukviitungi ja seadmega originaalpakendis jaemüüjale, kellelt seadme ostsite, makstes postitasu ise ette. Lisage kindlasti paki tagastamiseks vajalik summa.
2. Lisage lühike kirjeldus kahjustusest, rikkest või tõrkest ja probleemi tekkimise asjaoludest.

Õhuniisutaja ja õhupuhasti. **Clean Air Optima® CA-806 Smart/ CA-808 Smart** läbib enne tehases väljumist range kvaliteedikontrolli. Kui tootel ilmneb 2 aasta jooksul pärast ostukuupäeva rike, mille põhjuseks on tootmisdefekt, siis on ostjal garantiitõendi esitamisel õigus toote tasuta parandamisele või selle osade asendamisele (tingimuse et seadme ja/ või selle osade rike või kahjustus tekkis tavapärasel kasutamisel). Millele garantii kehtib: kõigi osade materjali- ja koostedefektid. Kui kaua: kaks aastat pärast ostmiskuupäeva. Mida me teeme: remondime või asendame defektsed osad.

Muud tingimused

Käesoleva garantii tingimused asendavad kõik muud kirjalikud ja suulised sõnaselged ja kaudsed garantiid, sh kaubastatavuse ja kindlaks otstarbeks sobivuse garantiid. Tootja vastutus ei ületa mingil juhul toote eest makstud ostuhinda. Erandlike, kaasnevate, ettenägematute ja kaudsete kahjude eest tootja ei vastuta. Garantii ei kehti defektidele, mille põhjuseks on vale või hooletu kasutamine või hooldamine, vale kokkupanemine, õnnetusjuhtum, looduskatastroof, vale pakendamine või loata lahtivõtmine, muutmise või modifitseerimine, kusjuures sellised asjaolud teeme kindlaks meie ainuisikuliselt. Kui seerianumbriga silt on eemaldatud või rikutud, siis garantii ei kehti.

Ärge kunagi pange veepaaki või veevanni muid lisanditeta eeterlikke õlisid ega muid lisandeid! Isegi minimaalne kogus võib plastikut kahjustada ja pragusid põhjustada.

Täname teid lugemise eest.



Andke tagasisidet õhuniisutaja ja õhupuhasti Clean Air Optima® CA-806 Smart/ CA-808 Smart kohta veebisaidil www.cleanairoptima.com



Korduma kippuvaid küsimusi CA-806 Smart/ CA-808 Smart kohta otsige veebisaidilt www.cleanairoptima.com märgusõnaga „CA-806 Smart/ CA-808 Smart”.



PDF-vormingus kasutusjuhendi saab alla laadida veebisaidilt www.cleanairoptima.com/info/manuals



Kõiki Clean Air Optima® tooteanimatsioonide videoid saate vaadata veebisaidil www.youtube.com

Clean Air Optima International B.V. | Rientjesoven 26 | 7621 HG Borne
The Netherlands | Telefon: +31 (0) 74 - 2670145

Clean Air Optima Germany GmbH | Enschedestraße 14 | 48529 Nordhorn
Saksamaa | Telefon: +49 (0) 5921 879-121

E-post: info@cleanairoptima.com

Internet: www.cleanairoptima.com

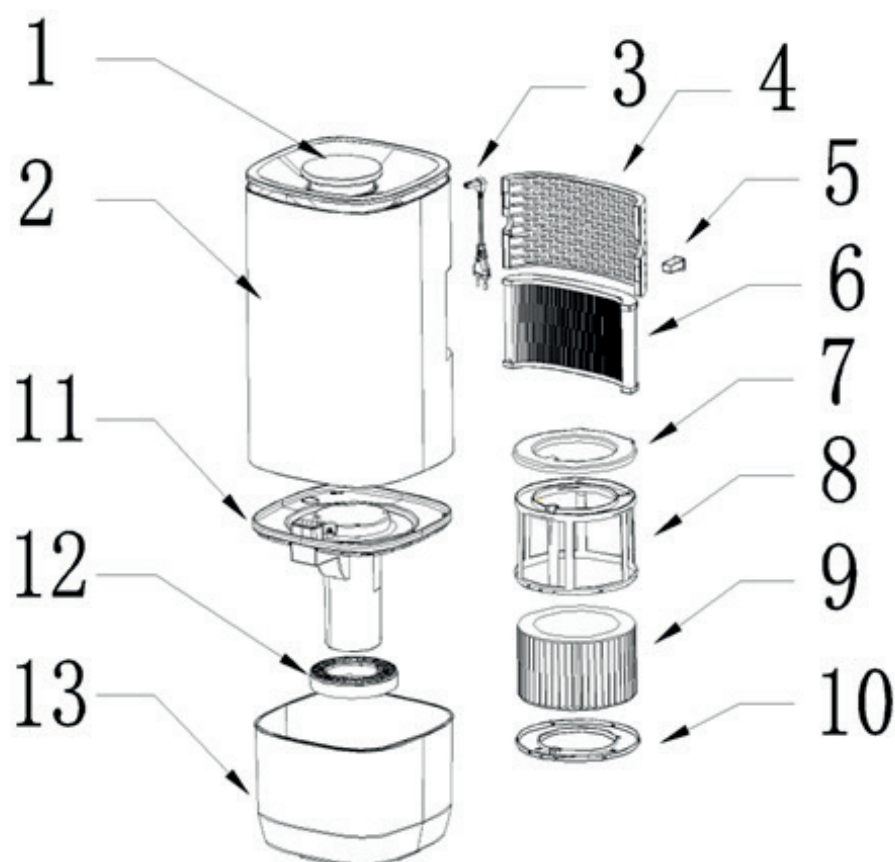
Latviešu valodā

Paldies, ka iegādājāties Clean Air Optima[®] iztvaikošanas gaisa mitrinātāju un attīrītāju CA-806 Smart/CA-808 Smart.

Ceram, ka varēsīt ilgstoši izbaudīt veselīgu iekštelpu gaisu, pateicoties šim efektīvajam un lietderīgajam izstrādājumam.

Šajā rokasgrāmatā ir sniegti drošības norādījumi, kas jāievēro darbības laikā. Tie ir paredzēti, lai novērstu traumas un izvairītos no ierīces bojājumiem.

CA-806 Smart/ CA-808 Smart Galvenā ierīce



Ierīces apraksts

Ierīce sastāv no šādām galvenajām komponentēm:

- | | |
|-------------------------------------|---------------------------------------|
| 1. Displeja vāks | 8. Ūdens filtra kronšteins |
| 2. Korpuss | 9. Ūdens filtrs |
| 3. Strāvas vads | 10. Ūdens filtra kronšteina apakšdaļa |
| 4. Gaisa ieplūdes režģis | 11. Ūdens sūkņa uzstādīšana |
| 5. Aromātu kaste | 12. Harsa filtrs |
| 6. HEPA filtrs | 13. Ūdens tvertne |
| 7. Ūdens filtra kronšteina augšdaļa | |

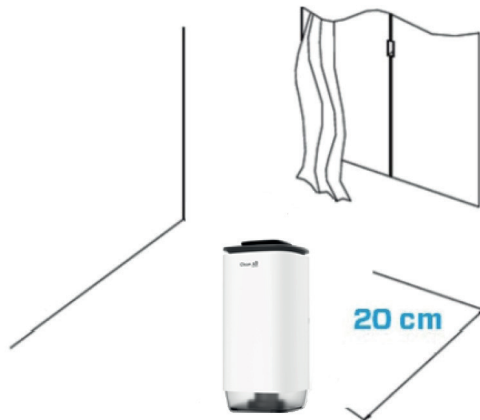
Drošības brīdinājumi

Šo ierīci drīkst lietot tikai saskaņā ar šiem drošības norādījumiem. Lai maksimāli samazinātu miesas bojājumu risku, ko varētu izraisīt, piemēram, elektriskās strāvas trieciens vai aizdegšanās, ievērojiet tālāk sniegtos norādījumus.

1. Tikai lietošanai telpās. Nelietojiet un neuzglabājiet ārā.
2. Izmantojiet atbilstošu spriegumu: AC 220V - 240V, 50/60Hz
3. Šo ierīci var lietot bērni no 8 gadu vecuma un personas ar ierobežotām fiziskām, maņu vai garīgām spējām vai bez pieredzes un zināšanām, ja viņiem ir nodrošināta atbilstoša uzraudzība vai instrukcijas par ierīces drošu lietošanu, un viņi saprot ar to saistītos apdraudējumus. Bērni nedrīkst spēlēties ar ierīci. Bērni nedrīkst veikt tīrīšanu un lietotāja apkopi bez uzraudzības.
4. Pirms ūdens pievienošanas ierīce ir jāizslēdz.
5. Pārlicinieties, ka ierīce vienmēr darbojas ar piepildītu ūdens tvertni.
6. Neatstājiet ūdeni tvertnē, kad ierīce netiek lietota.
7. Brīdinājums: vidē, kurā ierīce tiek lietota vai uzglabāta, ūdenī var būt mikroorganismi. Ja ūdens netiek regulāri mainīts vai akvārijs netiek tīrīts ik pēc 3 dienām, šie mikrobi var augt akvārijā un iztvaikot gaisā, kas var radīt nopietnas veselības problēmas.
8. Mainiet ūdeni ik pēc 3 dienām.
9. Ierīces darbības laikā ir stingri aizliegts aizsegt gaisa ieplūdes un izplūdes atveres ar jebko.
10. Ierīces drošai izmantošanai novietojiet to stabilā horizontālā stāvoklī. Nepārvietojiet ierīci lietošanas laikā.
11. Lai novērstu traucējumus un kaitējumu citām elektroniskām ierīcēm, šī ierīce ir novietojama vismaz 1 metra attālumā no datora, televizora, radio vai citām elektroierīcēm.
12. Nelietojiet ierīci, ja konstatējat redzamus elektrības kabeļa vai pašas ierīces bojājumus. Ja radies bojājums, nelabojiet ierīci pats. Nekad nevelciet ierīci aiz kabeļa. Ja elektrības kabelis ir bojāts, tā nomaiņa ir jāveic autorizētam apkopes speciālistam, lai novērstu elektriskās strāvas triecienu vai aizdegšanos.
13. Remontdarbus var veikt tikai pilnvarots apkalpošanas speciālists. Lai izvairītos no elektriskās strāvas trieciena vai aizdegšanās, nemēģiniet pats veikt ierīces remontu.
14. Vienmēr izņemiet kontaktdakšu no ligzdas, kad ierīce netiek izmantota vai kad tīrāt tās iekšējās vai ārējās daļas.
15. Pirms ierīces pārvietošanas izņemiet ūdens tvertni.
16. Izmantojiet tikai komplektācijā iekļautos elektrības kabeļus.
17. Nelietojiet ierīci telpās, kurās tiek glabāti uzliesmojoši šķidrumi vai gāzes, tuvu karstuma avotiem vai tādās sevišķi mitrās telpās kā vannasistabās, duša vai baseins.
18. Lai nerastos darbības traucējumi, nekad neievietojiet neparastus objektus ierīcē.
19. Neizjauciet un nemainiet ierīces iekšējās detaļas.
20. Nenovietojiet ierīci tiešos saules staros, lai tās krāsa neizbalētu.
21. Neiemērciet ierīci ūdenī vai citos šķidrumos.
22. Nepieskarieties elektrības kabelim ar mitrām rokām.
23. Pirms uzglabāšanas iztīriet un izžāvējiet ierīci (tostarp izlejiet no ierīces visu ūdeni). Uzglabājiet ierīci vēsā un sausā vietā bērniem nepieejamā vietā.
24. Netīriet ūdens tvertni, kad ūdens joprojām ir karsts.
25. Lietojiet, uzturiet un tīriet ierīci tā, kā aprakstīts šajā rokasgrāmatā.

Uzstādīšana

Pārļiecinieties, ka ierīce ir 20 cm attālumā no un mēbelēm; skatiet tālāk redzamo attēlu.



Noņemiet aizsargplēvi no displeja.



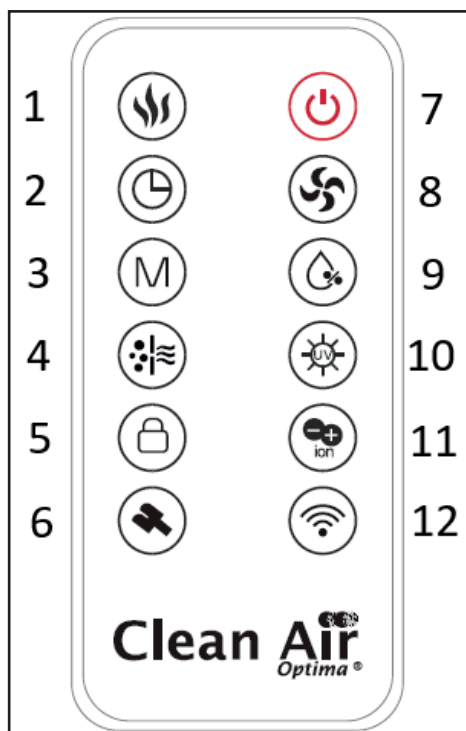
Vispirms noņemiet blīvējumu sienām no filtriem.



Tālvadības pulsts

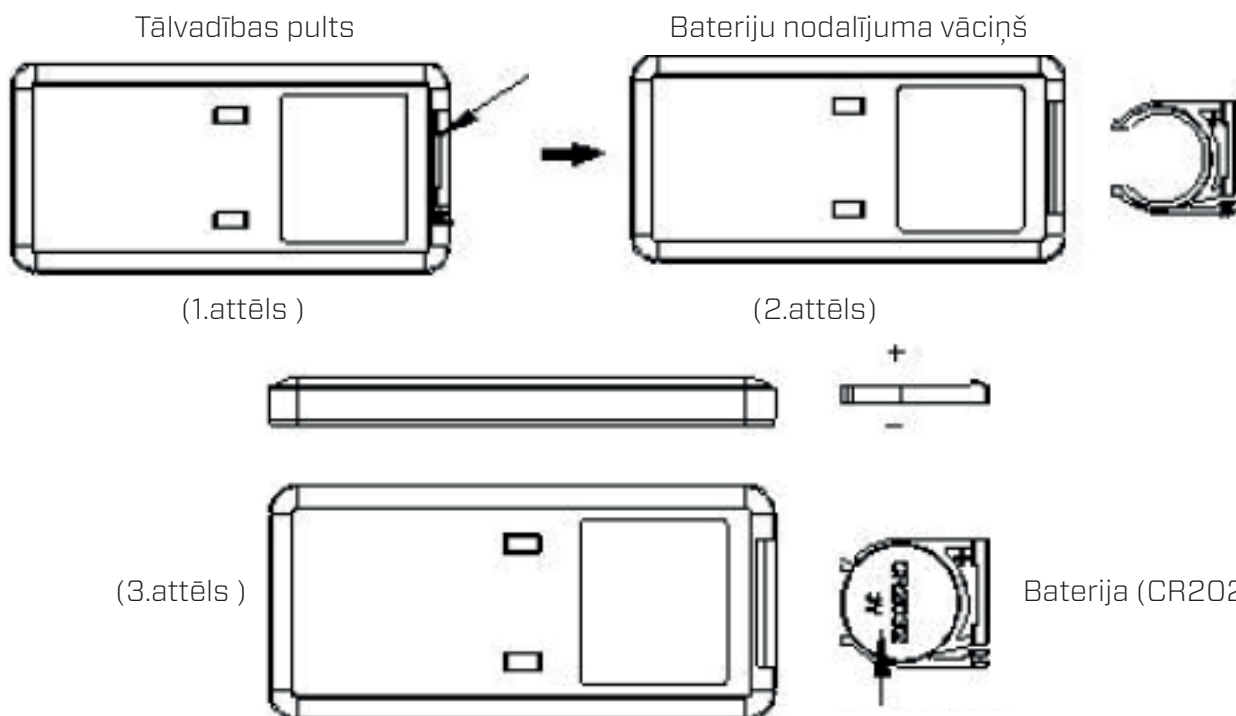
Pogas uz jūsu tālvadības pulsts:

1. Apkures/tīrīšanas režīms
2. Taimeris
3. Režīms
4. Gaisa attīrīšana
5. Bērnu slēdzene
6. Tīrīšanas režīms
7. Ieslēgts/Izslēgts
8. Miglas līmenis
9. Mitrums
10. UV
11. Negatīvie joni
12. Wi-Fi



Tālvadības pulsts

1. Atveriet akumulatora vāciņu tālvadības pulsts aizmugurē, lai ievietotu akumulatoru (skat. 1. attēlu).
2. Lai ievietotu akumulatoru: tālvadības pulsts apakšā ir "drošības cilne", kas vispirms jāpabīda pa labi un tad jāizvelk baterijas turētājs (skat. 2. attēlu). Ievietojiet akumulatoru ar pareizu polaritāti (skat. 3. attēlu).
3. Iebīdīdiet akumulatora vāciņu atpakaļ tālvadības pulstī.



Baterija (CR2025)

Ekspluatācijas norādījumi

Pirms darba sākšanas Clean Air Optima[®] CA-806 Smart/ CA-808 Smart izņemiet no kastes un ļaujiet, lai ierīce vismaz 30 minūtes pielāgojas istabas temperatūrai, īpaši tad ja ierīce ir auksta pēc atrašanās ārā. Novietojiet ierīce uz cietas, līdzenas un frontālas ūdensizturīgas virsmas un vismaz 20 cm attālumā no sienas.

CA-806 Smart & CA-808 Smart ir paredzēts darbībai temperatūrā no 5 līdz 40 °C pie gaisa mitruma zem 85 %.

Lai sāktu, paceliet korpusa daļu; tā ir vaļīgi piestiprināta pie ūdens tvertnes. Izņemiet ūdens filtru no ūdens sūkņa korpusa. Izņemiet ūdens sūkņa korpusu no ūdens tvertnes. Tagad varat piepildīt ūdens tvertni līdz maksimālajai atzīmei uz ūdens tvertnes vai arī izvēlēties ieliet tajā mazāk ūdens.

Paceliet virsbūves korpusu



Ūdens tvertnes



Krāns uzpildīšanai



Tad novietojiet ūdens tvertni zem **ūdens krāna**, lai to uzpildītu. Uzpildiet tvertni ar krāna ūdeni (vai citu tīru ūdeni, kura temperatūra nepārsniedz 40°C), ievietojiet atpakaļ vāku un filtru.

Piepildīšana no augšas: Ūdens tvertni var uzpildīt arī ar I ejkannu uzreiz pa mitrinātāja augšdaļu.

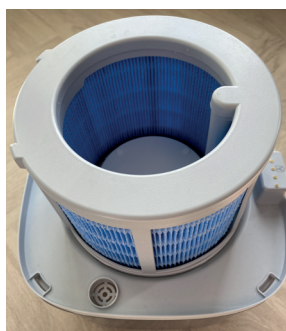
Piepildīšana no augšas



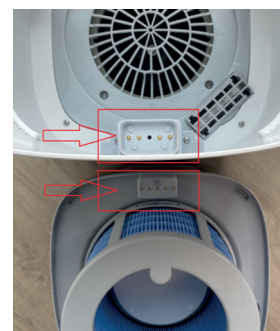
Nomainiet ūdens tvertni un filtrus (1. attēls). Uzlieciet virsbūves korpusu uz ūdens tvertnes un uzvelciet to virs filtra tā, lai saskares punkti atrastos viens pret otru (2. attēls).

Uzgaidiet dažas sekundes, līdz ūdens tvertnes vāks sāk izlaist ūdeni rezervuārā. Būs dzirdama burbuļojoša skaņa, gaisam iekļūstot ūdens tvertnē. Kontaktdakšu ievietojiet atbilstošā kontaktligzdā; atskanošais signāls norāda uz to, ka ierīce ir gaidīšanas režīmā.

1. attēls



2. attēls





Poga Power (Iesl/izsl):

Gaidīšanas režīmā nospiediet ieslēgšanas/izslēgšanas pogu, lai aktivizētu gaisa mitrinātāju:

- Kad ūdens tvertnē ir ūdens, atskan pīkstiens, un visa ierīce pāriet darba režīmā: Ierīces sākotnējais ieslēgšanas stāvoklis: ierīce darbojas ar 3. ātrumu, iedegas UV ikona, ūdens sūknis sāk darboties.
- Nospiediet šo pogu darba režīmā: ierīce pāriet gaisa žāvēšanas režīmā un pēc gaisa žāvēšanas pāriet gaidīšanas režīmā; ierīce ir darba režīmā (izņemot gadījumus, kad ir ieslēgta bērnu bloķēšanas funkcija), nospiediet ieslēgšanas/izslēgšanas pogu, lai pārietu uz gaisa žāvēšanas programmu.

Gaisa žāvēšanas process darbojas šādi:

- Iekārta darbojas ar 4. ātrumu, iedegas ikona "PTC sildīšana ieslēgta", pārējās ikonas digitālajā ekrānā izslēdzas; ierīce izslēdzas pēc 50 minūšu gaisa žāvēšanas programmas darbības un pāriet gaidīšanas režīmā. (Piezīme: Sildīšanas funkcija izslēdzas iepriekš gaisa žāvēšanas programmas 45. minūtē).
- Gaisa žāvēšanas procesa laikā nospiediet ieslēgšanas/izslēgšanas pogu; ierīce izies no gaisa žāvēšanas režīma un pāries gaidstāves režīmā.



UV poga/Negatīvo jonu poga:

Ierīce sāk darboties ar ieslēgtu UV lampu. Nospiediet pogu vēlreiz, lai to izslēgtu. Lai ieslēgtu jonizatoru, turiet pogu nospīestu 3 sekundes. Nospiediet to vēlreiz un turiet 3 sekundes, lai izslēgtu jonizatoru.

UV sterilizācijas funkcija, kas iznīcina baktērijas miglas izvades gaisa plūsmā, pirms migla nonāk telpā.

Nospiežot **negatīvo jonu pogu**, tiks aktivizēts negatīvo jonu ģenerators ar kopēju kapacitāti > 3 000 000 negatīvie joni / cm³, kas izplatās visā telpā un tādējādi neitralizē piesārņotājus un smakas. Negatīvie joni piestiprinās pie putekļu daļiņām, mikroorganismiem un citām nevēlamām daļiņām gaisā un tās savstarpēji savieno. Tādējādi daļiņas kļūst smagākas par gaidu un nokrīt uz zemes, lai jūs tās vairāk neieelpotu.

Negatīvie joni pārsvarā ir atrodami mežā, kalnos un jūras tuvumā. Negatīvie joni nodrošina svaigu un veselīgu gaisu.



Poga Humidity (mitrums):

Nospiežot **mitruma pogu**, varat atlasīt vēlamo mitruma līmeni, atkārtoti spiežot šo pogu līdz tiek attēlots vēlamais mitruma līmenis (no 30% līdz 80% ar soli 5%). Kad ir atlasīts vēlamais mitruma līmenis, nospiediet pogu un mitruma līmenis būs iestatīts.

Pēc iestatīšanas displejs mirgos reizi sekundē un pēc tam trīs reizes nepārtraukti, lai parādītu pašreizējo iestatīto vērtību. Pēc mirgošanas tiek parādīts pašreizējais mitrums ar displeja diapazonu no 20 līdz 90% relatīvā mitruma.

Ātrums nemainās pirmās 2 minūtes pēc tam, kad ierīce pāriet nemainīga mitruma režīmā. Pēc 2 minūtēm ventilators darbojas saskaņā ar šādu grafiku:

1. Kad mitrums sasniedz vai pārsniedz iestatīto mitruma līmeni, ierīce pārtrauc mitrināšanu un ventilators darbojas ar 1. ātrumu;

2. Kad faktiskais mitrums ir zemāks par iestatīto mitruma līmeni "2%", ierīce turpina mitrināt ar 2. ātrumu;
3. Kad faktiskais mitrums ir zemāks par iestatīto mitruma līmeni "4%", ierīce turpina mitrināt ar 3. ātrumu;
4. Kad faktiskais mitrums ir zemāks par iestatīto mitruma līmeni "6%", ierīce turpina mitrināt ar 4. ātrumu.

Piezīme. Ja nemainīga mitruma režīma laikā ātrums tiek mainīts, ierīce darbosies ar iestatīto ātruma vērtību 2 minūtes un pēc tam atkārtos iepriekš minēto procedūru pēc 2 minūtēm.

Nospiediet pogu "Mitrums", ierīce parādīs pašreizējo mitruma iestatījuma vērtību, un pēc tam vēlreiz nospiediet pogu "Mitrums", lai attiecīgi pielāgotu mitruma vērtību.



Režīma poga/ Wi-Fi poga:

Pirmo reizi nospiežot režīma pogu, iedegas ikona "Automātiskais režīms" un pēc tam trīs reizes nomirgo, pirms tiek aktivizēts automātiskais režīms. Nospiežot režīma pogu otro reizi trīs sekunžu laikā, ierīce pārslēgsies veselības režīmā. Ikona "Veselības režīms" pēc tam trīs reizes nomirgo, pirms tiek aktivizēts veselības režīms. Un tā tālāk.

Režīma poga rotācijas secība ir šāda: automātiskais režīms -> veselības režīms -> miega režīms -> bez iestatījumiem -> automātiskais režīms.

Automātiskais režīms:

Pēc pārslēgšanās "Automātiskajā režīmā" mitrums tiek iestatīts uz 68%, un miglas apjoms tiek piespiestu kārtā mitrināts 5 minūtes 4. līmenī. Pēc 5 minūtēm miglas apjoma līmenis tiek noregulēts atbilstoši šādām prasībām:

Kad mitruma vērtība ir mazāka par 60%, miglas apjoms darbojas 4 līmeņos; kad mitruma vērtība ir no 60% līdz 63%, miglas apjoms darbojas 3 līmeņos; kad mitruma vērtība ir no 64% līdz 68%, miglas apjoms darbojas 2 līmeņos; kad mitruma vērtība pārsniedz 68%, tas darbojas 1 līmenī.

Health Mode (imunitātes stimulēšanas režīms):

Nospiediet režīma pogu otro reizi. Ikona "Veselīgais režīms" mirgos trīs reizes sekundē, pēc tam aktivizēs veselīgo režīmu.

Pēc veselīgā režīma aktivizēšanas digitālajā displejā iedegsies ikona "Veselīgais režīms"; ieslēgsies negatīvie joni un UV gaisma, un ierīce darbosies 3. līmenī.

Pēc veselīgā režīma aktivizēšanas ierīce automātiski nosaka optimālo mitruma līmeni, pamatojoties uz apkārtējās vides temperatūru, un palielina mitruma iestatījumu par 5%, pamatojoties uz noteikto vērtību. Piemēram, ja noteiktā vērtība ir 45%, iestatītais mitrums būs 50% utt.

Kad ierīce sasniedz vai pārsniedz iestatīto mitrumu, ventilators darbosies 1. līmenī. Kad mitrums nokrītas zem iestatītā mitruma "2%", ierīce atgriezīsies 3. līmenī.

Miega režīms:

Nospiediet režīma pogu trešo reizi. Ikona "Miega režīms" mirgos trīs reizes sekundē, un tiks aktivizēts miega režīms:

1. Funkcijas, kas bija iespējotas pirms ierīces pāriešanas miega režīmā (tostarp UV, laika noteikšana un negatīvie joni), miega režīms neietekmē.
2. Pēc 10 sekundēm, kad ierīce pāriet miega režīmā, displejs izslēdzas (izņemot ikonu „Miega režīms”) un ierīce darbojas ar 75 % no 1. miglas līmeņa ātruma.

Kad ierīce miega režīma laikā konstatē, ka ūdens tvertne ir tukša, ikona “Ūdens trūkums” paliks iedegta, skaņas signāls neskanēs, un ierīce pāries gaidīšanas režīmā.

Wi-Fi savienojums:

Nospiediet un 3 sekundes turiet nospiektu pogu “Režīms/Wi-Fi”. Ierīce pāries Wi-Fi savienošanas pārī režīmā, un Wi-Fi ikona turpinās mirgot, līdz ierīce būs veiksmīgi savienota pārī. Vēlreiz nospiediet un 3 sekundes turiet nospiektu pogu “Režīms/Wi-Fi”. Vienreiz atskanēs skaņas signāls, ierīce izies no Wi-Fi savienošanas pārī režīma, un Wi-Fi ikona nodzīsīs.




Poga Heating (sildīšana)/ tīrīšanas režīma poga:

Nospiežot pogu “Sildīšana”, tiek aktivizēta sildīšanas funkcija. Sildīšana nodrošina, ka ūdens filtrs ātri un efektīvi izžūst.

Pēc sildīšanas funkcijas aktivizēšanas ierīce darbojas ar 4. iestatījumu. Ātrumu nevar regulēt; tas deaktivizēs sildīšanas funkciju.

Vēlreiz nospiediet pogu “Sildīšana/Tīrīšana”, lai deaktivizētu šo funkciju.

Nospiediet un turiet pogu “Sildīšana/Tīrīšana”. Ierīce iziet no “Sildīšanas/Tīrīšanas” režīma un pāriet tīrīšanas režīmā .



Miglas līmeņa poga:

Ierīce turpina mitrināt gaisu, un mitruma līmeni nevar regulēt.

Ierīces sākotnējais darbības stāvoklis ir 3. līmenis.

Ierīcei ir 4 līmeņi. Katru reizi nospiediet pogu, lai sasniegtu līmeni uz skalas.

Miglas līmeņa secība ir: 3-> 4-> 1 -> 2-> 3-> 4-> 1-> 2-> 3...un tā tālāk.

Ūdens sūknis darbojas nepārtraukti pirmās 2 minūtes;

Pēc 2 minūtēm ūdens sūknis apstājas uz 3 minūtēm un pēc tam darbojas 15 sekundes; pēc tam apstājas uz 3 minūtēm un atkal darbojas 15 sekundes utt.



Gaisa attīrīšana/bērnu drošības poga:

Nospiediet pogu “Gaisa attīrīšana/Bērnu bloķēšana”, lai sāktu gaisa attīrīšanas režīmu. Ūdens sūknis izslēgsies, un ierīce pārtrauks rādīt mitrumu. Iedegsies PM2.5 ikona, kas norāda pašreizējo gaisa kvalitāti. Nospiediet vēlreiz, lai atgrieztos mitrināšanas režīmā.

Nospiediet un 3 sekundes turiet nospiektu pogu “Gaisa attīrīšana/Bērnu bloķēšana”; iedegsies ierīces bērnu bloķēšanas ieslēgšanas ikona. Nospiediet un vēl 3 sekundes turiet nospiektu pogu “Gaisa attīrīšana/Bērnu bloķēšana”; ierīces bērnu bloķēšanas ieslēgšanas ikona izslēgsies.



Poga Timer (taimeris):

Taimera poga iestata taimeri. Taimera funkcija nosaka, cik stundas darbosies mitrinātājs. Taimeri var iestatīt, vienkārši nospiežot pogu vienu reizi par katru stundu, cik ilgi vēlaties, lai ierīce darbotos. Taimeri var iestatīt no 1 stundas līdz 12 stundām. Laikam ritot, laika vērtība samazinās, līdz sasniedz 00:00, un ierīce izslēdzas.

Tīrīšana pēc 72 darbības stundām:

1. Kad ierīce ir darbojusies 72 stundas, displejā būs redzams "72 hours" un tas turpinās mirgot, līdz tīrīšanas laiks tiks atiestatīts.
2. Ilgi nospiediet pogu "Sildīšana/Tīrīšana". Ierīce izies no "Mitruma" režīma un pāries uz tīrīšanas režīmu.
3. Iztīriet ūdens tvertni (ieteikums).
4. Nospiediet un 2 sekundes turiet nospiestu pogu "On/Off", lai izslēgtu tīrīšanas ziņojumu "72 hours". Displejā būs redzams "00 hours" un tas mirgos 3 reizes. Pēc tam displejā būs redzams mitrums.
5. Ja ierīce vēl nav darbojusies 72 stundas, varat atiestatīt tīrīšanas režīmu, 2 sekundes nospiežot pogu "On/Off", lai atiestatītu ierīces laiku uz 0 un to atkārtoti aprēķinātu. Ikona "Mitrums" parādīs "OOH" un mirgos 3 reizes. Parastais displeja stāvoklis tiek atjaunots.

Kad ir iespējots miega režīms, tīrīšanas uzvedne netiek parādīta. Izejot no miega režīma, tiek parādīta tīrīšanas uzvedne.

Mitruma displejs:

Kad mitrums ir zem 45%, ūdens tvertnes gaisma iedegas oranžā krāsā; ja mitrums ir no 45% līdz 60%, gaisma iedegas zilā krāsā; ja mitrums ir virs 60%, gaisma iedegas baltā krāsā. Kā displeja vērtība tiek izmantota vidējā vērtība.



Brīdinājums par ūdens trūkumu:

Pēc tam, kad ierīce konstatē, ka ūdens tvertne ir tukša, tā pārslēdzas uz sildīšanas-žāvēšanas sistēmu un pāriet ūdens trūkuma režīmā. Ūdens trūkuma gadījumā ūdens līmeņa indikatora gaisma un krāsainā ūdens tvertnes gaisma trīs reizes mirgos sarkanā krāsā un trīs reizes pīkstēs. Pēc tam aktivizējiet sildīšanas un žāvēšanas sistēmu "silta migla" un pēc 30 minūtēm pārslēdzieties gaidīšanas režīmā.

Vai arī nospiediet ieslēgšanas/izslēgšanas pogu, lai izslēgtu ierīci un uzpildītu ūdens tvertni. Pēc ūdens tvertnes uzpildīšanas ūdens līmeņa indikatora gaisma un krāsainā ūdens tvertnes gaisma nodzīsīs, un ierīce pārslēgsies gaidīšanas režīmā.

Ūdens līmeņa apraksts:

Ūdens tvertnes skalas ir: pilna ūdens, ūdens trūkums.

1. Zems ūdens līmenis: Ja ūdens sūknis konstatē pastāvīgu ūdens trūkumu 10 sekundes, ierīce pārslēdzas uz zema ūdens līmeņa statusu.
2. Ūdens tvertnes uzpildīšana: Pievienojiet ūdeni ikreiz, kad ierīce tiek ieslēgta vai izslēgta. Kad ūdens tvertne ir pilna, digitālais displejs mirgos 5 reizes un 5 reizes atskanēs skaņas signāls. Displejā parādīsies FUL.

Nodrošiniet, lai ūdens tvertne vienmēr būtu pilnībā uzpildīta.

Tīrīšana un apkope

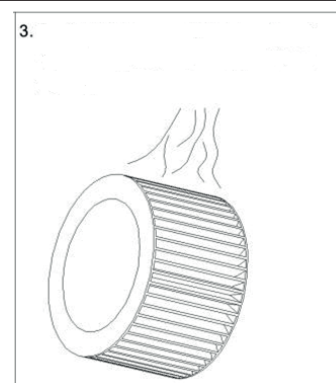
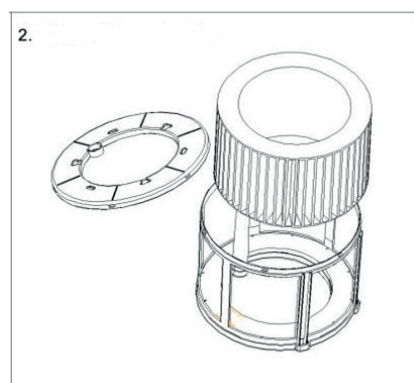
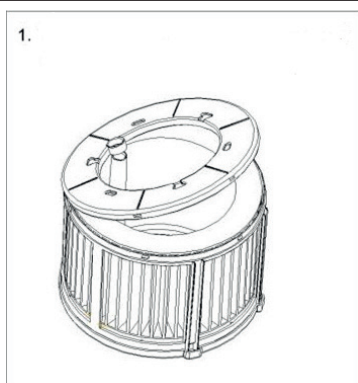
Ūdens filtra tīrīšana

Dažos apgabalos ūdens kvalitāte ir slikta. Pēc ilgstošas lietošanas uz ūdens filtra virsmas var uzkrāties kaļķakmens vai putekļi. Ūdens filtru var izjaukt un izskalot ar tīru ūdeni. Normālas lietošanas laikā ieteicams ūdens filtru nomainīt ik pēc sešiem mēnešiem.

Izņemiet ūdens filtru no ierīces un izjauciet tā apakšējo daļu.

Izņemiet ūdens filtru.

Noskalojiet visus netīrumus no ūdens filtra virsmas ar krāna ūdeni un salieciet to atpakaļ. Ievietojiet to atpakaļ ierīcē.



Hars filtra tīrīšana

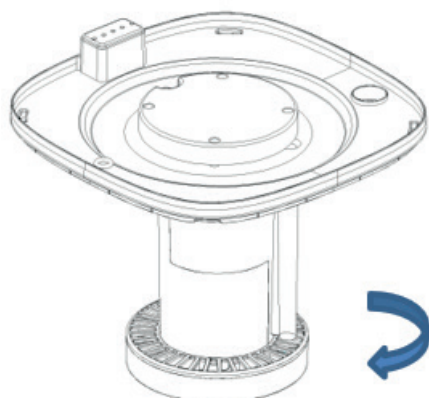
Dažos apgabalos ūdens kvalitāte ir slikta. Pēc ilgstošas lietošanas uz Hars filtra virsmas var uzkrāties kaļķakmens vai putekļi. Hars filtru var izjaukt un izskalot ar tīru ūdeni. Normālas lietošanas laikā ieteicams nomainīt ūdens filtru ik pēc sešiem mēnešiem.

Paceliet ūdens tvertnes nodalījuma mezglu, pagrieziet ūdens mīkstinātāju pulksteņrādītāja virzienā un, kad sprādze ir vaļīga, izvelciet ūdens mīkstinātāju tieši ārā (1. attēls).

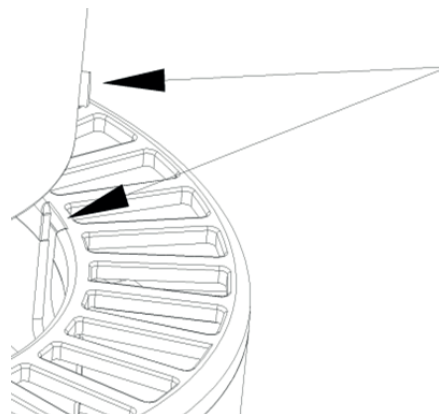
Noskalojiet visus netīrumus no sveķu filtra virsmas ar krāna ūdeni un salieciet to atpakaļ.

Attēlā bultiņas norādītās atveres ir izlīdzinātas un ievietotas tajās, pēc tam pagrieziet ūdens mīkstinātāju pretēji pulksteņrādītāja virzienam, līdz jūtat sprādzi (2. attēls).

1. Attēls



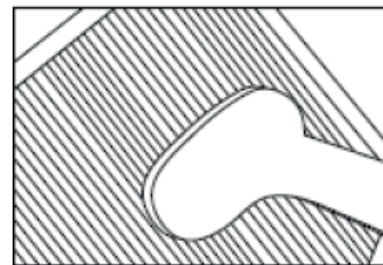
2. Attēls



HEPA H13 filtra tīrīšana

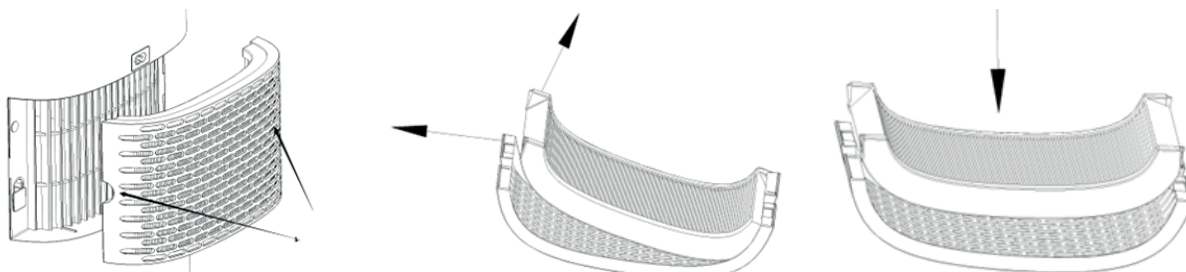
Vislabākais efekts panākams, tīrot filtrus reizi mēnesī. Ja telpu gaiss ir ārkārtīgi piesārņots, var būt nepieciešams veikt papildu tīrīšanu.

Tīriet **priekšfiltru** un **HEPA filtru** ar suku vai putekļsūcēju. Tādējādi no filtra var iztīrīt tādas lielākās putekļu daļiņas kā šķiedras, dzīvnieku blaugznas un spalvas.



Brīdinājums! Nekādā gadījumā nemitriniet un neskalojiet kompozītmateriālu filtrus (**HEPA un aktīvās ogles filtru**) ar ūdeni.

Izņemiet filtrus no filtra rāmja nodalījuma. Pēc filtra nomaiņas vai filtra tīrīšanas ievietojiet filtrus atpakaļ filtra rāmja nodalījumā un uzstādiet atpakaļ ierīcē; skatiet attēlu zemāk.



Pazīmes, kas liecina par to, ka filtri ir nolietoti

Pastiprināta skaņa, samazināta gaisa plūsma, aizsērējuši filtri, pastiprinātas smakas. HEPA filtra maiņa jāveic, kad tas zaudējis savu balto krāsu un kļuvis pelēks vai melns. Ja HEPA filtrs joprojām paliek balts, filtra nomaiņa NAV nepieciešama.

Kā pasūtīt filtrus:

sazinieties ar Clean Air Optima klientu apkalpošanas dienestu pa tel. + 31 (0) 742670145 vai apmeklējiet mūsu tīmekļa veikalu: <https://www.cleanairoptima.com/-accessoires>

Gaisa attīrītāja ārpuses tīrīšana


1. Izslēdziet ierīci un izvelciet kontaktdakšu no kontaktligzdas.
2. Izmantojiet mīkstu un mitru drāniņu, lai no ierīces notīrītu putekļus un netīrumus.
3. Pārliecinieties, ka **ierīcē** neiekļūst ūdens.


Notīriet kontaktpunktus.

Regulāri notīriet kontaktpunktus ar tīru, sausu drānu.



Filtru nomaiņa

Clean Air Optima CA-806 Smart / CA-808 Smart ir aprīkots ar filtra kalpošanas laika uzraudzības mehānismu, kas signalizē, ka filtri (HEPA H13, ūdens filtrs, sveķu filtrs un Silverion) ir jānomaina pēc 1000 darba stundām. Lai norādītu, ka šie elementi ir jānomaina, ierīce izstara dubultās nulles  indikatora gaismu. Atiestatiet filtru taimeru, nospiežot un turot

nospiešanu pogu miglas līmeņa  apmēram 4 sekundes. Ja indikatora gaisma nodziest, taimeris ir veiksmīgi atiestatīts.

Atkarībā no lietošanas filtru kalpošanas laiks ir aptuveni 3–6 mēneši. UV-C lampa ir pastāvīga, tā nav jānomaina.

Izņemiet filtrus no filtra rāmja nodalījuma. Pēc filtra nomaiņas vai tīrīšanas ievietojiet filtrus atpakaļ filtra rāmja nodalījumā un salieciet tos atpakaļ ierīcē, skatiet nodaļu “Tīrīšana un apkope”.

Clean Air Optima[®] Silver Ion SI-01 ievietošana/nomaiņa

Silver Ion SI-01 izmanto sudraba pretmikrobu iedarbību, tas novērš baktēriju vairošanos un smakas ūdenī. **Silver Ion SI-01** darbojas pat tad, ja mitrinātājs ir izslēgts, tāpēc ūdens paliek skaists.

Nomainiet **Silver Ion SI-01** mitrinātāja sezonas sākumā vai nomainiet **Silver Ion SI-01** pēc viena gada lietošanas.

Silver Ion SI-01 nomaiņa:

Lai sāktu, paceliet korpusa daļu; tā ir vaļīgi piestiprināta pie ūdens tvertnes. Izņemiet ūdens filtru no ūdens sūkņa korpusa. Izņemiet ūdens sūkņa korpusu no ūdens tvertnes.

**Paceliet virsbūves
korpusu**



Ūdens tvertnes



Silver Ion SI-01.



1. Izņemiet lietoto **Silver Ion SI-01**.
2. Ievietojiet jauno **Silver Ion SI-01**.

Izmetiet **Silver Ion SI-01** kopā ar parastajiem sadzīves atkritumiem.

Silver Ion SI-01 nedrīkst lietot ilgāk, nekā norādīts.

Jūs varat pasūtīt **Silver Ion SI-01** mūsu tiešsaistes veikalā www.cleanairoptima.com

Clean Air Optima[®] sausinātāja/gaisa attīrītāja uzglabāšana

Ja sausinātājs/gaisa attīrītājs netiks izmantots ilgāku laiku:

1. Vispirms iztukšojiet un izžāvējiet ūdens tvertni.
2. Palaidiet gaisa žāvēšanas programmu (skatiet sadaļu "Barošanas poga").
3. Atvienojiet ierīci no elektrotīkla un satiniet strāvas vadu.
4. Izņemiet un notīriet filtrus. Pēc tīrīšanas ievietojiet filtrus atpakaļ.
5. Uzglabājiet ierīci vēsā, sausā vietā, prom no tiešiem saules stariem, ekstremālām temperatūrām un pārmērīga putekļu daudzuma.
5. Ja ierīce netiks izmantota ilgāku laiku, vislabāk ir pārklāt to ar aizsargapvalku, lai novērstu putekļu uzkrāšanos. Tas var radīt problēmas ar tīrīšanu un apkopi nākotnē.

Ūdens tvertnes tīrīšana

Ūdens tvertnē regulāri jāmaina. Ūdens nedrīkst palikt ūdens tvertnē ilgāk par 3 dienām.

- Lūdzu, ņemiet vērā, ka augsts mitrums var veicināt bioloģisko organismu augšanu vidē.
- Neļaujiet zonai ap mitrinātāju kļūt mitrai vai slapjai. Ja rodas mitrums, samaziniet mitrinātāja jaudu. Ja mitrinātāja izvades apjomu nevar samazināt, izmantojiet mitrinātāju ar pārtraukumiem. Neļaujiet absorbējošiem materiāliem, piemēram, paklājiem, aizkariem, aizkariem vai galdautiem kļūt mitriem.
- Uzpildes un tīrīšanas laikā izvelciet kontaktdakšu no kontaktlīdzda.
- Nekad neatstājiet ūdeni tvertnē, kad ierīce netiek lietota.
- Pirms uzglabāšanas iztukšojiet un notīriet mitrinātāju. Pirms nākamās lietošanas notīriet mitrinātāju.
- Iztīriet ūdens tvertnes iekšpusi ar maigu mazgāšanas līdzekli un noskalojiet ar tīru ūdeni.

Brīdinājums: Mikroorganismi, kas var atrasties ūdenī vai vidē, kur ierīce tiek lietota, var augt ūdens tvertnē un tikt izpūsti gaisā. Tas var apdraudēt veselību, ja ūdens netiek mainīts un tvertne netiek pienācīgi iztīrīta ik pēc 3 dienām.



Darbs ar Clean Air Optima[®] lietotni

Savienojamība

Saderība ar viedtālruni un planšetdatoru:


iPhone, iPad un Android ierīces

Ierīce veido savienojumu, izmantojot Wi-Fi, ar lietotni:

CleanAirOptima

Uzmanību! Maršrutētājam jābūt iestatītam darbam 2,4 GHz platjoslā. Ja maršrutētājs ir iestatīts darbam 5,0 GHz, savienojumu izveidot nav iespējams.

WiFi savienojuma izveide

1. Lejupielādējiet lietotni CleanAirOptima no App Store vai Google Play un instalējiet to.
2. Izveidojiet kontu un piesakieties.
3. Maršrutētājam jābūt iestatītam darbam 2,4 GHz platjoslā. Ja maršrutētājs ir iestatīts darbam 5,0 GHz, savienojumu nevar izveidot.
4. Pārliedzinieties, ka viedtālrunī ir iespējots Bluetooth.
5. Pieslēdziet ierīci strāvai un ieslēdziet to. WiFi indikators iemirgosies. Jei WiFi lempuītē, paspaudžia "REŽĪMS/ WIFI", nepaliek 5 sekundes. Tada ātri mirks WiFi lempuītē. Jūsu WiFi ir viegli lietojams, un jūs esat ar to apmierināts.
6. Pārliedzinieties, ka viedtālrunis vai planšetdators ir veiksmīgi savienots ar WiFi tīklu.
7. Atveriet lietotni CleanAirOptima un noklikšķiniet uz "Add device" (Pievienot ierīci) . Ierīce ir norādīta sarakstā, un jūs varat to atlasīt. Ja tā nav, izvēlieties "Auto Scan" (Automātiskā skenēšana). Izpildiet ekrānā redzamos norādījumus, lai pievienotu ierīci tīklam.
8. Lietotnē izvēlieties pievienot ierīci Clean Air Optima[®] un izpildiet tur sniegtos norādījumus.
9. Kad ierīce ir savienota pārī, WiFi indikators  nepārtraukti deg.
10. Kad konfigurēšana ir sekmīgi pabeigta, ierīces darbināšanai varat izmantot lietotni Clean Air Optima[®].

Piezīme.

- Ja noklusējuma tīkls ir mainījies, atiestatiet WiFi savienojumu un izpildiet sadaļas "WiFi savienojuma iestatīšana" 1.-10. darbību.
- Ja pārī ar viedtālruni vai planšetdatoru vēlaties savienot vairākas ierīces, tas ir jādara pēc kārtas.
- Pārliedzinieties, ka attālums starp viedtālruni vai planšetdatoru un ierīci ir mazāks par 5 metriem un nav šķēršļu. Arī pārliedzinieties, ka atrodaties vienā telpā ar ierīci.

Atiestatiet WiFi funkciju:

- Ierīcei jābūt ieslēgtai.
- Atiestatiet WiFi, uz 5 sekundēm nospiežot pogu "REŽĪMS/ WIFI", WiFi indikators ātri mirgos.



Izslēdziet WiFi funkciju:

- Atiestatiet WiFi, uz 5 sekundēm nospiežot pogu "Mode" (Režīms), WiFi indikators ātri mirgos.
- Ieslēdziet WiFi, spiežot pogu "Mode" (Režīms) vēl 5 sekundes, WiFi indikators nodzīsīs.

Ierīču pievienošana vairākiem tālruniem

Piezīme: Vispirms otrajai personai savā tālrunī ir jāinstalē lietotne „Clean Air Optima[®]” un jāizveido jauns konts.

Ierīces kopīgošana ar ierobežotu piekļuvi:

Varat izvēlēties kopīgot 1 ierīci ar vairākām personām.

Šai personai būs piekļuve, taču tā nevarēs pārvaldīt visus iestatījumus.

Izpildiet tālāk sniegtos norādījumus, lai kopīgotu ierīci ar vairākām personām:

1. Dodieties uz attiecīgo ierīci.
2. Dodieties uz zīmuļa simbolu vai trīs punktiem augšējā labajā stūrī.
3. Izvēlieties „Kopīgot ierīci”.
4. Izvēlieties „Pievienot kopīgošanas iespēju”.
5. Izvēlieties kopīgošanas metodi, piemēram, pa e-pastu, whatsapp, īsziņu u.c. un turpiniet.
6. Ierīce automātiski tiks parādīta lietotnē „Clean Air Optima[®]” kopā ar otru kontu.

Ierīces kopīgošana ar pilnu iekļuvi:

Varat pievienot vienu vai vairākas personas savas mājas pārvaldībai.

Šai personai tādējādi būs piekļuve visām jūsu ierīcēm, kas jau ir pievienotas, un tā saņems arī visas tiesības un atļaujas. Jūs tomēr vienmēr paliksiet galvenais administrators.

Izpildiet tālāk sniegtos norādījumus, lai pievienotu kādu personu savas mājas pārvaldībai:

1. Atveriet lietotni „Clean Air Optima[®]” un dodieties uz sadaļu „Es”.
2. Izvēlieties sadaļu „Mājas pārvaldība”.
3. Izvēlieties „Izveidot māju”.
4. Izvēlieties attiecīgo „Māju” un „Pievienot lietotāju”.
5. Izvēlieties kopīgošanas metodi, piemēram, pa e-pastu, whatsapp, īsziņu u.c. un turpiniet.
6. Attiecīgā „Māja” automātiski parādīsies tās personas lietotnē „Clean Air Optima[®]”, ar kuru esat kopīgojis savu „Māju”.
7. Otrās personas kontā:
Lietotnē „Clean Air Optima[®]” dodieties uz sākuma ekrānu. Dodieties uz augšējo kreiso stūri un izvēlieties „Māja”.

Aromterapija

Aromterapijas funkcijas aktivizācija:

- Izņemiet aromterapijas paplāti no balsteņa.
 - Piliņiet Clean Air Optima[®] ēteriskās eļļas 5 - 10 piliens uz sūkļa.
 - Aromterapijas paplāti ievietojiet atpakaļ balstenī.
 - Kad ieslēgsiet gaisa mitrinātāju, tiks aktivizēta aromterapijas funkcija.
 - Ja vēlaties deaktivizēt aromterapijas funkciju vai ja ierīce netiek ilgstoši izmantota, izņemiet aromterapijas sūkli no nodalījuma un izmazgājiet ar nelielu silta ziepju daudzumu. Ļaujiet sūklim pilnībā izžūt pirms tā ievietošanas atpakaļ aromterapijas nodalījumā.
- Pēc būtības aromterapijas sūklis ir vairākkārt lietojams.



Svarīgi

Lai panāktu vislabākos rezultātus un pēc iespējas vairāk izbaudītu gaisa mitrinātāja darbību, iesakām rūpīgi izlasīt tālākās instrukcijas attiecībā uz ēterisko eļļu izmantošanu gaisa mitrinātājā CA-806 Smart/ CA-808 Smart.

Ēterisko eļļu izmantošana CA-806 Smart/ CA-808 Smart

Izmantojiet mūsu kvalitatīvās ēteriskās eļļas un izbaudiet savu personīgo aromterapiju! Vislielākais smaržas sajūtu baudījums!

Mūsu klāstā varat atrast kvalitatīvas ēteriskās eļļas ar plašu smaržu izvēli. Tās ir perfekti piemērotas gaisa mitrinātājam CA-806 Smart/ CA-808 Smart un īpaši izstrādātas lietošanai ar šo mitrinātāju.



Jūs varat pasūtīt ēteriskās eļļas mūsu interneta veikalā www.cleanairoptima.com

Brīdinājums!

Izmantojot citas ēteriskās eļļas vai citas piedevas (piemēram, smaržas un ūdens attīrīšanas līdzekļus), kas nav paredzētas šim gaisa mitrinātājam, var sabojāt gaisa mitrinātāju un tās **NEDRĪKST** izmantot! ***Nekad nelejiet citas tīras ēteriskās eļļas vai citas piedevas ūdens tvertnē, tas ir, ūdens rezervuārā! Pat neliels daudzums var sabojāt plastmasu un radīt plaisas.*** Materiāls nav paredzēts izmantošanai ar piedevām. Pietiek ar vienu pilienu, lai sabojātu ūdens tvertni/rezervuāru un padarītu ierīci nelietojamu. Garantija neattiecas uz ierīcēm, kuras sabojātas piedevu izmantošanas dēļ.

Tīrīšana un kopšana

Mitrinātājs un attīrītājs **Clean Air Optima[®] CA-806 Smart/ CA-808 Smart** var darboties bez problēmām gadiem ilgi, ja tiek ievērotas dažas vienkāršas kopšanas procedūras. Ja jūsu ūdens ir ciets un satur daudz kalcija un citu minerālvielu, laika gaitā baltie putekļi (kaļķakmens) sāk nosēties uz dažādām telpas virsmām. Baltas nogulsnes (kaļķakmens) veidosies arī **ūdens konteinerā** un ūdens tvertnes iekšpusē. Kaļķa nogulsnes pasliktina **gaisa dzesētāja** darbību un samazina iekārtas higiēniskumu.

Lūk, ko mēs iesakām

1. Tīriet **ūdens tvertni** reizi nedēļā, ja ierīci lietojat katru dienu kopā ar **Clean Air Optima[®] tīrītāju un atkaļķotāju**.
2. Tiklīdz ūdens rezervuārs ir jāuzpilda, izlejiet atlikušo ūdeni un piepildiet to ar tīru ūdeni.
3. Pilnībā iztīriet ierīci un glabājiet visas tās daļas pilnīgi sausas, kad ierīce netiek lietota.



Īpaši izstrādāts **Clean Air Optima[®]** gaisa dzesētājiem, gaisa mitrinātājiem un gaisa sausinātājiem:

- Nav agresīvs
- Aizsargā gaisa dzesētāja, gaisa mitrinātāja un gaisa sausinātāja plastmasas un keramikas materiālus
- Neitrāla smarža
- Tīra un atkaļķo ātri un tīri
- Bioloģiski noārdāms

Tīrīšanas un atkaļķošanas līdzekli Clean Air Optima[®] var pasūtīt mūsu tiešsaistes veikalā vietnē www.cleanairoptima.com.

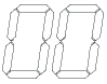
Problēmu novēršana



Tālāk ir sniegti norādījumi problēmu novēršanai, kas var rasties, lietojot **Clean Air Optima[®]** gaisa mitrinātāju un attīrītājs **CA-806 Smart/ CA-808 Smart**.

Problēma	Iespējamais cēlonis	Risinājums
Netiek izsmidzināta migla.	Kontaktdakša nav ievietota ligzdā. Poga ON/OFF (iesl./izsl.) nav aktivizēta. Tukša ūdens tvertne. Tvertnē ir nepietiekams ūdens daudzums.	Pievienojiet ierīci kontaktligzdai. Nospiediet pogu ON/OFF (iesl./izsl.). Ielejiet tvertnē ūdeni. Atkārtoti ielejiet tvertnē ūdeni.
Miglai ir īpatnēja smaka.	Jauna ierīce. Vai nu ierīcē ir netīrs ūdens, vai arī ūdens pārāk ilgi ir nostāvējis.	Noņemiet ūdens tvertni, atskrūvējiet vāku un izlaidiet gaisu vēsā vietā 12 stundu garumā. Iztīriet ūdens tvertni un uzpildiet ar tīru ūdeni.
Izsmidzinātais apjoms ir pārāk zems.	Ūdens rezervuārā un pārveidotājā ir pārāk daudz nogulšņu. Ūdens ir pārāk netīrs vai ūdens pārāk ilgi ir turēts tvertnē.	Notīriet ūdens tvertni un devēju ar: tīrīšanas un atkaļķošanas līdzekli Clean Air Optima[®] . Iztīriet ūdens tvertni un uzpildiet ar tīru ūdeni.
Ierīce skaļi darbojas.	Ūdens tvertne ir nepareizi novietota. Ūdens tvertnē ir nepietiekams ūdens daudzums. Ierīce atrodas uz nestabilas virsmas.	Pareizi novietojiet ūdens tvertni uz pamatnes. Atkārtoti ielejiet ūdeni ūdens tvertnē. Novietojiet ierīci uz stabilas un līdzenas virsmas.
Migla tiek izsmidzināta no zonas ap sprauslu.	Starp izsmidzināšanas sprauslu un ūdens tvertnes virspusi ir spraugas.	Noņemiet izsmidzināšanas sprauslu no ūdens tvertnes augšpusē un notīriet to ar tīru drānu. Pievienojiet pie ūdens tvertnes.
Clean Air Optima[®] lietotne nedarbojas.	Viedtālrunis vai planšetdators nav savienots ar WiFi tīklu. Ierīcei nav savienojuma ar tīklu.	Izslēdziet ierīci un atiestatiet ierīces WiFi, turot nospiestu pogu "Manual" 5 sekundes, WiFi indikators mirgos. Izpildiet 3.-10. darbību, kas aprakstītas nodaļā Darbs ar Clean Air Optima[®] lietotni .

Problēmu novēršana

Tālāk ir sniegti norādījumi problēmu novēršanai, kas var rasties, lietojot **Clean Air Optima[®] gaisa mitrinātāju un attīrītājs CA-806 Smart/ CA-808 Smart.**

Problēma	Iespējamais cēlonis	Risinājums
Displejā redzama dubulta nulle  .	Filtri ir jānomaina.	Atiestatiet filtra taimeri, nospiežot un apmēram 3 sekundes turot nospiestu pogu MODE. Kad indikatora lampiņa nodziest, taimeris ir veiksmīgi atiestatīts.
Displejā redzamas 72H stundas.	Ierīce ir darbojusies 72 stundas un tā ir jātīra. Notīriet ūdens tvertni. Ilgi nospiediet pogu "Heat/Clean" (Sildīšana/Tīrīšana). Ierīce izies no "Humidity" (Mitrums) režīma un pāries uz tīrīšanas režīmu.	Lai atiestatītu, nospiediet ieslēgšanas/izslēgšanas pogu un turiet to nospiestu 3 sekundes.

Simboli	Nozīme
	Šis simbols nozīmē, ka filtrs ir jāpārbauda un, ja nepieciešams, jāiztīra pirms ierīces iedarbināšanas. Nomainiet filtru ik pēc 2 līdz 3 mēnešiem.
	Šis simbols nozīmē, ka ūdens tvertne ir jātīra ik pēc 3 dienām. Mainiet ūdeni ūdens tvertnē ik pēc 3 dienām. Pirms tīrīšanas sākšanas izņemiet kontaktdaļiņas no kontaktlīdzda.

Ja ūdens cietība ir augsta (neparasti augsts minerālu daudzums), mitrinātājs var veidot baltus putekļus. Tā nav nepareiza darbība. Risinājums būtu biežāka ūdens filtra nomaiņa vai mīkstāka ūdens izmantošana, piemēram, destilēta ūdens.

BRĪDINĀJUMS!

Ja iepriekš sniegtie risinājumi problēmu nenovērš, lūdzu, sazinieties ar Clean Air Optima tehnisko atbalstu pa jūsu reģiona tālruna numuru. Nemēģiniet izjaukt, atkārtoti salikt vai labot ierīci, jo tādējādi garantija var tikt anulēta.

Specifikācijas CA-806 Smart

Modelis	CA-806 Smart
Piemērots telpām līdz	60m ² / 150m ³ / 645ft ²
Nominālais spriegums	100V - 240V, 50/60Hz
Nominālā jauda	30W - Maks. 230W
Gaisa mitrināšanas kapacitāte	Min. 250 ml/h - Maks. 800 ml/h
Ventilatora jauda (CADR)	220 m ³ /h
Aktīvais skābeklis	<0.05 ppm
Trokšņa līmenis	Kluss ventilators < 25dB(A)
Izmēri	260 x 260 x 508 mm
Svars	5,0 kg
Ūdens tvertne	8,0 L
Krāsa	Balts

Specifikācijas CA-808 Smart

Modelis	CA-808 Smart
Piemērots telpām līdz	80m ² / 200m ³ / 856ft ²
Nominālais spriegums	100V - 240V, 50/60Hz
Nominālā jauda	30W - Maks. 230W
Gaisa mitrināšanas kapacitāte	Min. 300 ml/h - Maks. 1000 ml/h
Ventilatora jauda (CADR)	220 m ³ /h
Aktīvais skābeklis	<0.05 ppm
Trokšņa līmenis	Kluss ventilators < 25dB(A)
Izmēri	260 x 260 x 508 mm
Svars	5,0 kg
Ūdens tvertne	8,0 L
Krāsa	Balts

Atbilst ES regulām

CE / WEEE / RoHS

Vaicājiet savam mazumtirgotājam vai pašvaldībai aktuālo informāciju attiecībā uz ierīces iepakojuma izmešanu.



Apkope

Gaisa mitrinātāja un attīrītājs Clean Air Optima® CA-806 Smart/ CA-808 Smart garantijas sertifikāts.

Iegādes datums:

Klienta vārds/nosaukums:

Adrese:

Tālrunis:

E-pasts:

Pārdevēja vārds/nosaukums:

Adrese:

1. Lūdzam pilnībā aizpildīt šo garantijas talonu. Nosūtiet to savam izplatītājam ar rēķinu un ierīci, apmaksājot atpakaļsūtīšanu un izmantojot oriģinālo iepakojumu. Pārliecinieties, vai atpakaļsūtīšanas izdevumi ir apmaksāti pienācīgā apmērā.
2. Iekļaujiet īsu bojājuma, kļūdas vai kļūdainas nostrādes aprakstu, kā arī aprakstiet apstākļus, kādos šīs problēmas radās.

Pirms izsūtīšanas no rūpnīcas ierīcei **Clean Air Optima® gaisa mitrinātājam un attīrītājs CA-806 Smart/ CA-808 Smart** veic stingras pārbaudes. Ja divu gadu laikā kopš izstrādājuma iegādes, izstrādājums nedarbojas atbilstoši specifikācijām, jo tam ir rūpnīcas defekti, pircējs ir tiesīgs bez maksas saņemt remonta pakalpojumus vai detaļu nomainīšanu, uzrādot šo garantijas talonu (ja iekārtas kļūdainā nostrāde vai tās un/vai tās detaļu bojājums radies normālas darbības apstākļos). Uz ko attiecas garantija: visas detaļām, kurām ir materiāla vai ražošanas defekts. Cik ilgi: divus gadus no iegādes datuma. Kā rīkosimies: veiksīm remontu vai nomainīsim visas bojātas detaļas.

Citi nosacījumi

Šīs garantijas nosacījumi aizstāj jebkuru citu rakstisku, skaidri izteiktu vai domātu, rakstisku vai mutisku garantiju, tostarp jebkādu garantiju attiecībā uz atbilstību kvalitātei vai konkrētam mērķim. Ražotāja maksimālais atbildības apmērs nepārsniedz reālo par produktu samaksāto maksu. Ražotājs nekādā gadījumā nav atbildīgs par speciālu, netīšu, izrietošu vai netiešu kaitējumu. Šī garantija neattiecas uz defektu, ja mēs esam noteikuši, ka tas radies nepareizas vai neatbilstošas lietošanas vai apkopes, nepareizas montāžas, negadījuma, dabas katastrofu, neatbilstoša iepakojuma vai nesankcionētu manipulāciju, izmaiņu vai modifikāciju rezultātā. Šī garantija nav derīga, ja etiķete, uz kuras ir sērijas numurs, ir noņemta vai sabojāta.

Nekad neļaujiet citas tīras ēteriskās eļļas vai citas piedevas ūdens tvertnē, tas ir, ūdens rezervuārā! Pat neliels daudzums var sabojāt plastmasu un radīt plaisas.

Paldies, ka iepazināties ar šiem norādījumiem!



Pievienojiet savas atsauksmes par Clean Air Optima®
gaisa mitrinātāju un attīrītājs CA-806 Smart/ CA-808 Smart:
www.cleanairoptima.com



Lai skatītu bieži uzdotos jautājumus par CA-806 Smart/ CA-808 Smart,
apmeklējiet vietni
www.cleanairoptima.com un meklējiet "CA-806 Smart/ CA-808 Smart".



Lietotāja rokasgrāmatu PDF formātā varat lejupielādēt vietnē
www.cleanairoptima.com/info/manuals



Skatiet visu Clean Air Optima® izstrādājumu
animācijas videoklipus vietnē:
www.youtube.com

Clean Air Optima International B.V. | Rientjesoven 26 | 7621 HG Borne
Nīderlande | Tālrunis: +31 (0) 74 - 2670145

Clean Air Optima Germany GmbH | Enschedestraße 14 | 48529 Nordhorn
Vācija | Tālrunis: +49 (0) 5921 879-121

E-pasta adrese: info@cleanairoptima.com

Timekļa vietne: www.cleanairoptima.com

A guarantee for healthy indoor air quality!



Designed in Germany

© 2026 Clean Air Optima®, All rights reserved, Made in P.R.C.

More info:
www.cleanairoptima.com



Trademarks owned by: Clean Air Optima Germany GmbH,
Enschedestraße 14, 48529 Nordhorn, Germany